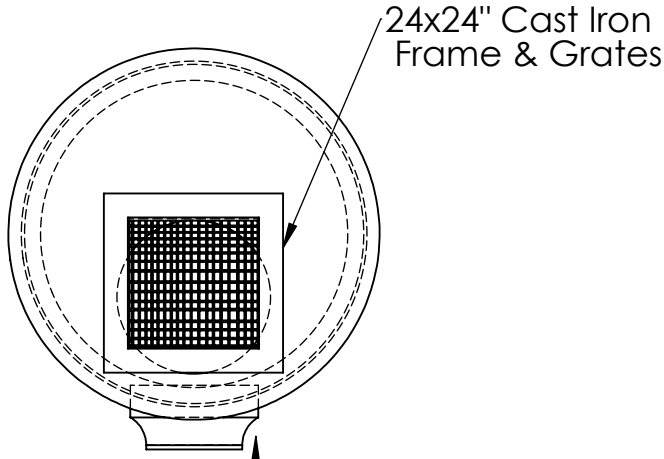
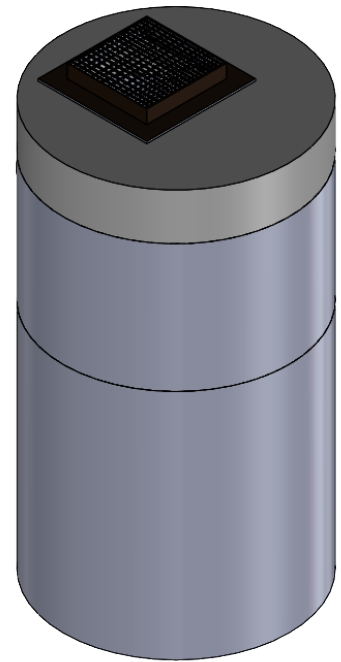


# PEPIN PRECAST

59 Shaw Road, Sanford ME 04073  
 207-324-6125  
 WWW.PEPINPRECAST.COM  
 4' ID Catch Basin



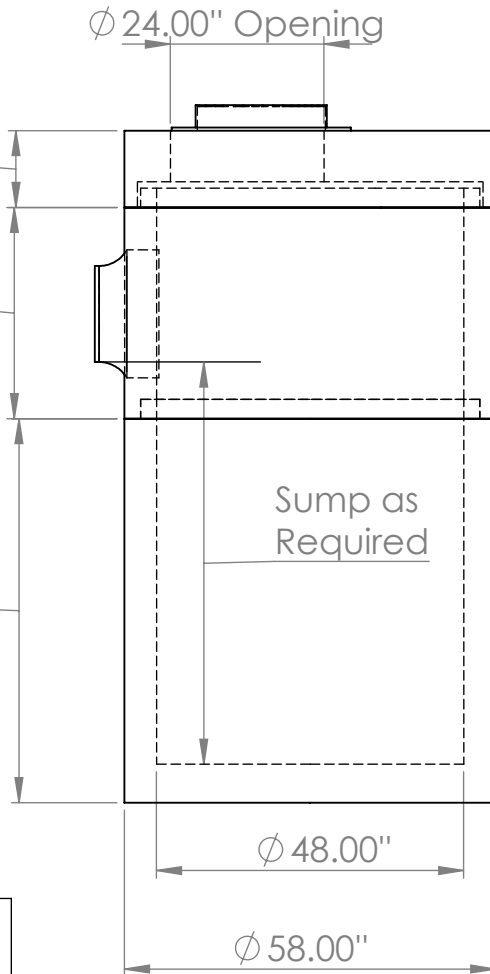
24x24" Cast Iron  
 Frame & Grates

Rubber Boots On  
 All Inlets/Outlets  
 Inlets/ Outlets  
 Cored As required

1.00' Flat Top  
 Or 2 & 3' Cone  
 Tops Available

1-4' Barrel Sections  
 Available

2-6' Base Sections  
 Available. Including  
 Half Sizes



## Specification

1. CONCRETE 5,000 PSI AFTER 28 DAYS
2. CEMENT PORTLAND TYPE II PER ASTM C150-81
3. STEEL REINFORCEMENT PER ASTM A-615. GRADE 60
4. DESIGN LOADING PER AASHTO HS-20
5. JOINTS SEALED WITH CONSEAL CS-102 BUTYL SEALANT