

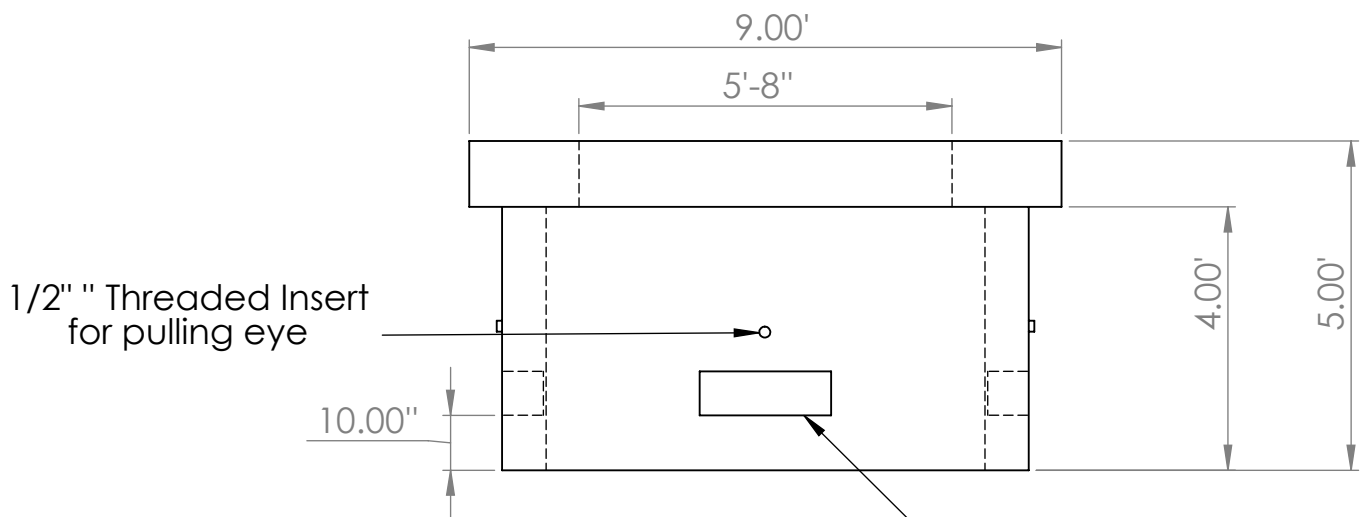
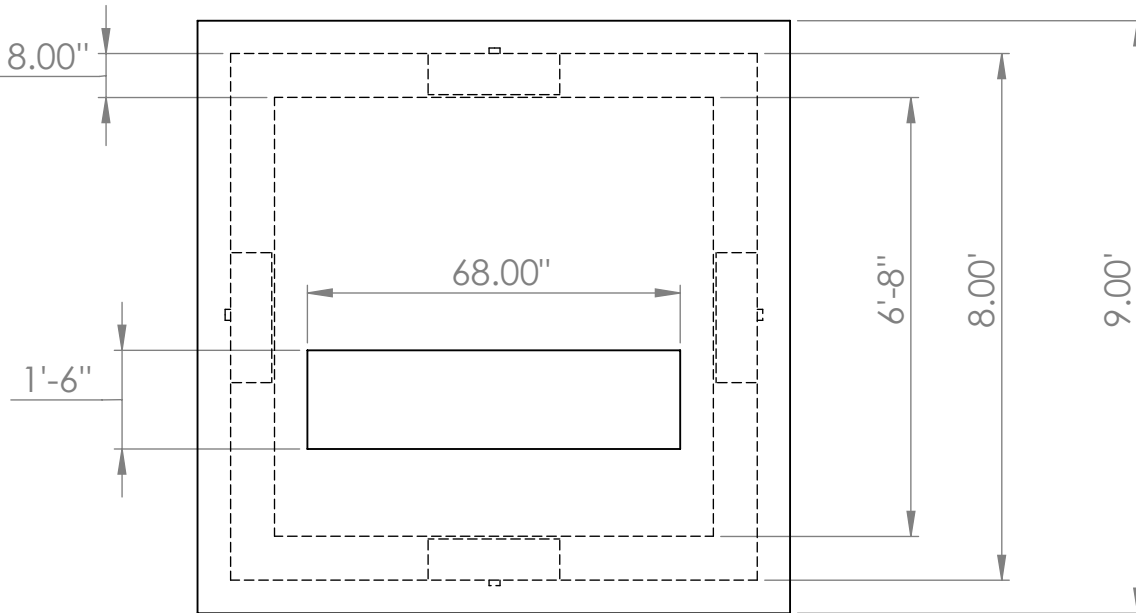
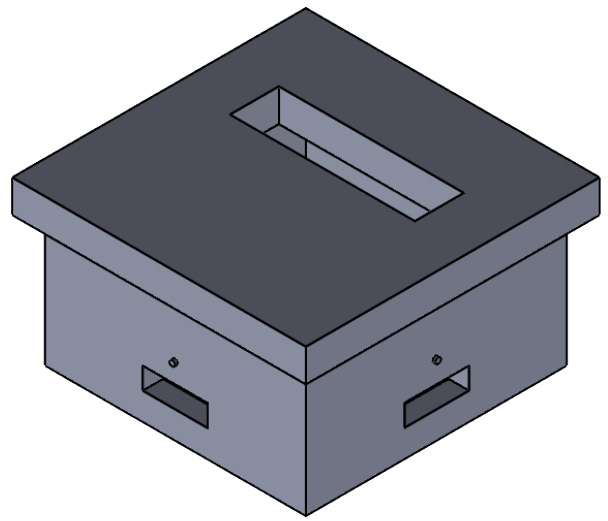
# PEPIN PRECAST

59 Shaw Road, Sanford ME 04073

Tel:(207)-324-625

WWW.PEPINPRECAST.COM

9x9 CMP 3 Phase Transformer Pad



## Specification

14" x 10" Knockouts  
on all sides

1. CONCRETE 5,000 PSI AFTER 28 DAYS
2. CEMENT PORTLAND TYPE II PER ASTM C150-81
3. STEEL REINFORCEMENT PER ASTM A-615. GRADE 60
4. DESIGN LOADING PER AASHTO HS-20
5. JOINTS SEALED WITH CONSEAL CS-102 BUTYL SEALANT