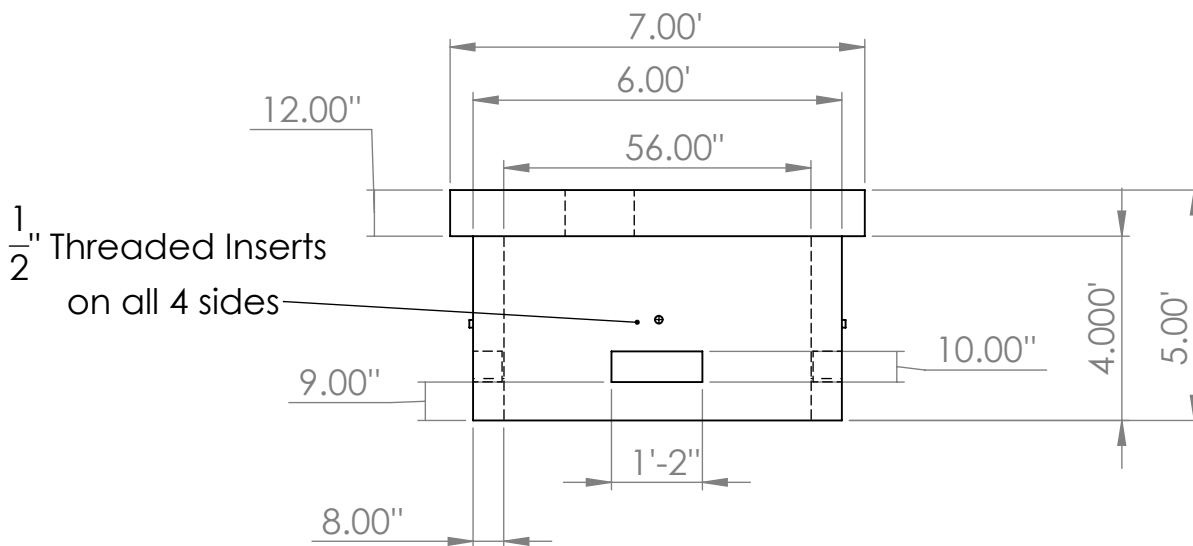
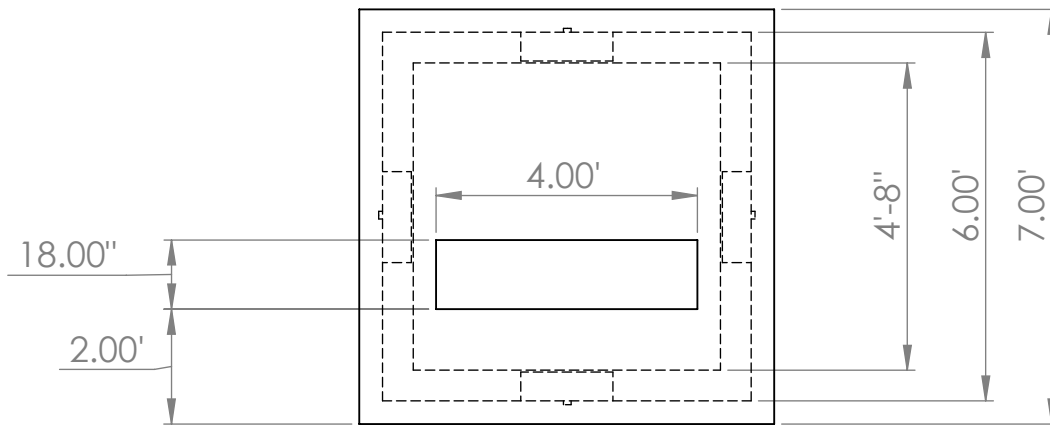
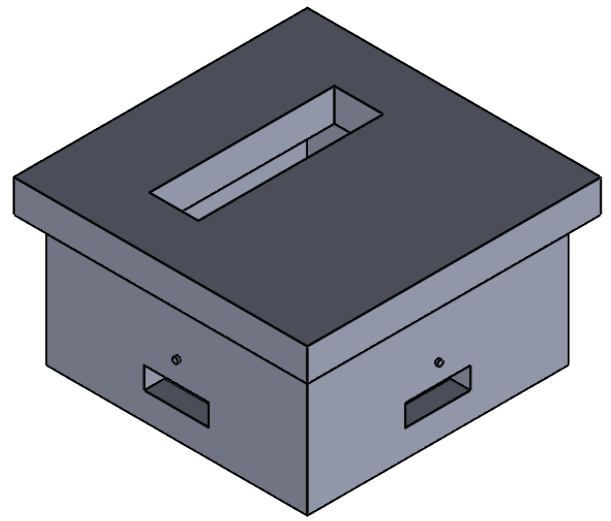


PEPIN PRECAST

59 Shaw Road, Sanford ME 04073
 WWW.PEPINPRECAST.COM
 7x7 CMP 3 Phase Transformer Pad



Specification

1. CONCRETE 5,000 PSI AFTER 28 DAYS
2. CEMENT PORTLAND TYPE III PER ASTM C150-81
3. STEEL REINFORCEMENT PER ASTM A-615. GRADE 60
4. DESIGN LOADING PER AASHTO HS-20
5. JOINTS SEALED WITH CONSEAL CS-102 BUTYL SEALANT