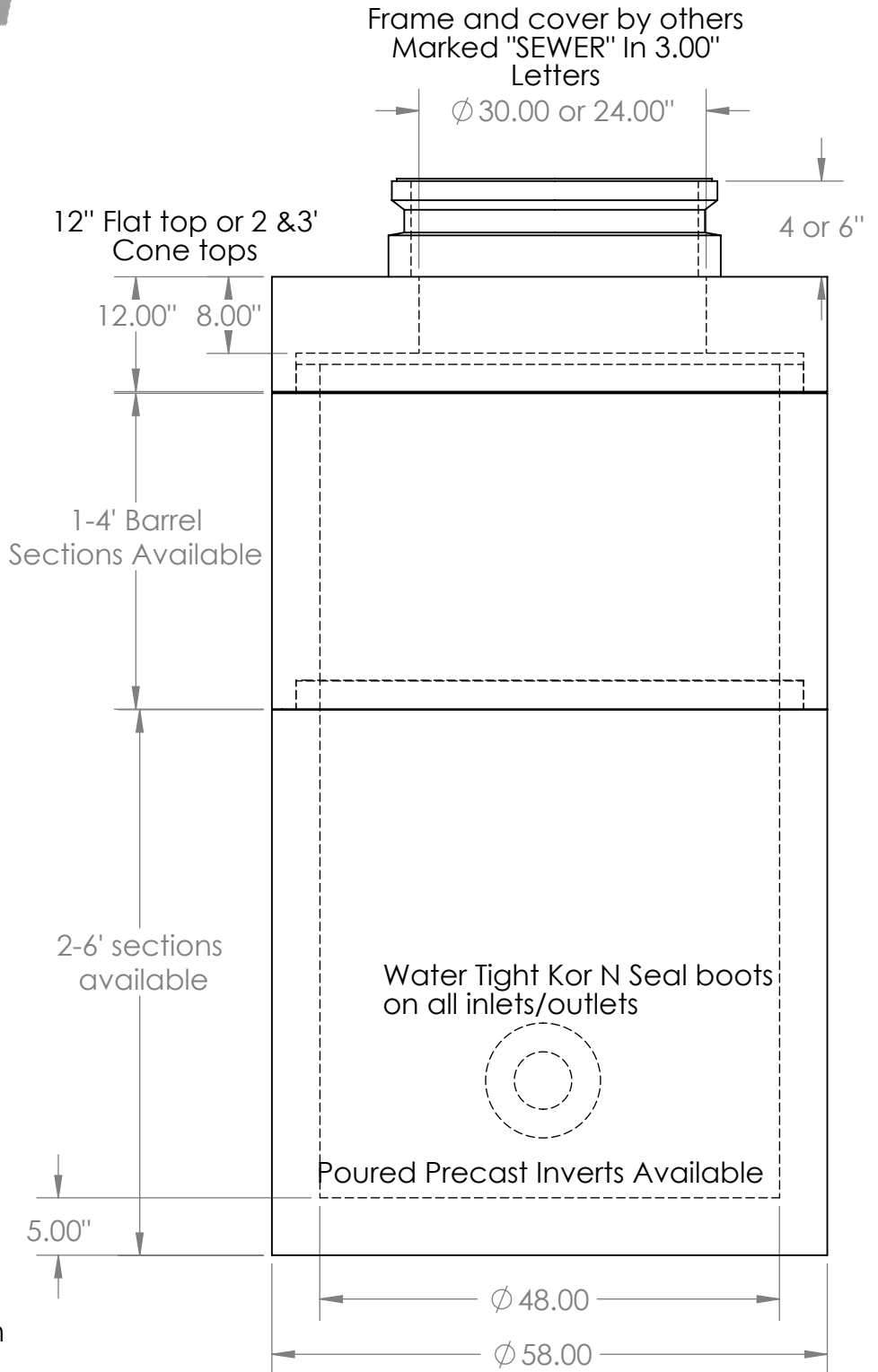


PEPIN PRECAST

59 Shaw Road, Sanford ME
207-324-6125
www.pepinprecast.com
Sewer Manhole



2 Coats Bituminous Damp Proofing Coating on exterior



Specification

1. CONCRETE 5,000 PSI AFTER 28 DAYS
2. CEMENT PORTLAND TYPE II PER ASTM C150-81
3. STEEL REINFORCEMENT PER ASTM A-615. GRADE 60
4. DESIGN LOADING PER AASHTO HS-20
5. JOINTS SEALED WITH CONSEAL CS-102 BUTYL SEALAN
6. BAY OIL COMPANY EBOY WATERPROOF COATING TO BE USED. (WHEN SPECIFIED)
7. MANHOLES DESIGNED TO MEET ASTM-C478 "STANDARD "SPECIFICATIONS OR PRECAST CONCRETE MANHOLE SECTIONS"