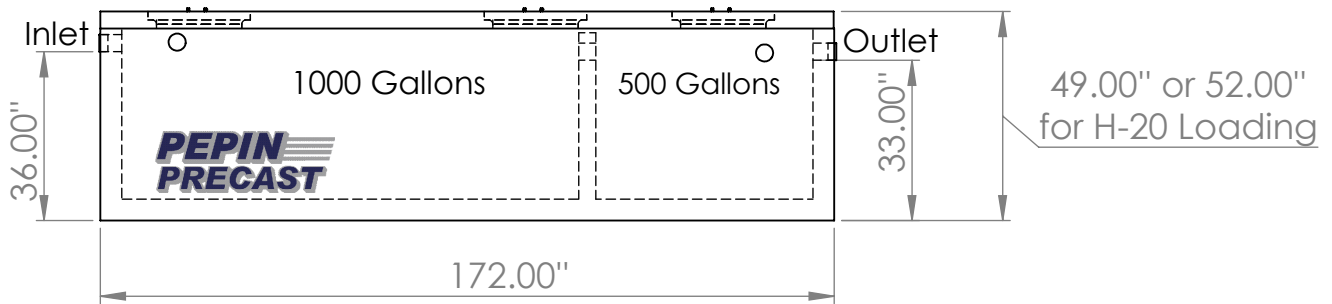
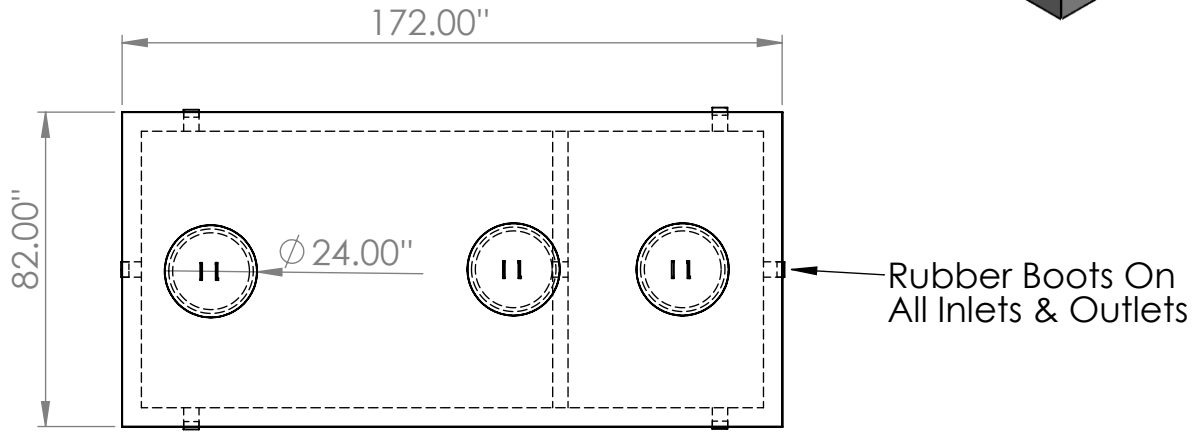
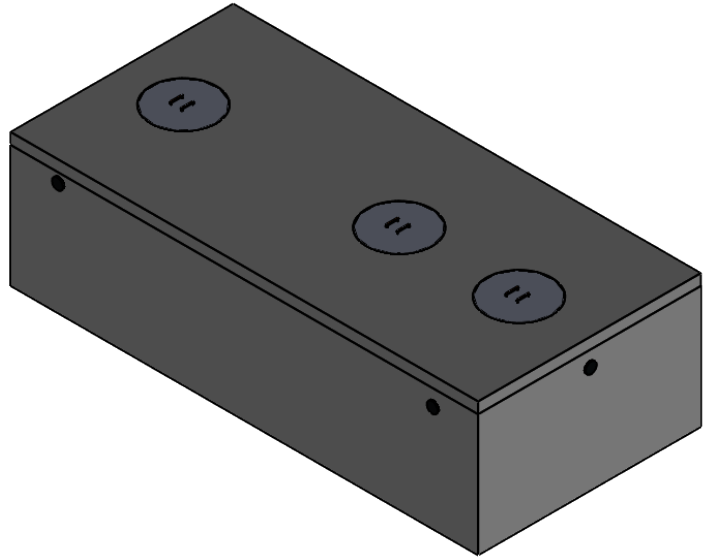




PRECAST • REDIMIX • AGGREGATE

207-324-6125

59 Shaw Road, Sanford ME 04073
WWW.RPEPIN.COM
1500 2 Compartment Ledge Tank
(Low Profile)



Specification

1. CONCRETE 5,000 PSI AFTER 28 DAYS
2. CEMENT PORTLAND TYPE III PER ASTM C150-81
3. STEEL REINFORCEMENT PER ASTM A-615. GRADE 60
4. DESIGN LOADING PER AASHTO HS-20
5. JOINTS SEALED WITH CONSEAL CS-102 BUTYL SEALANT