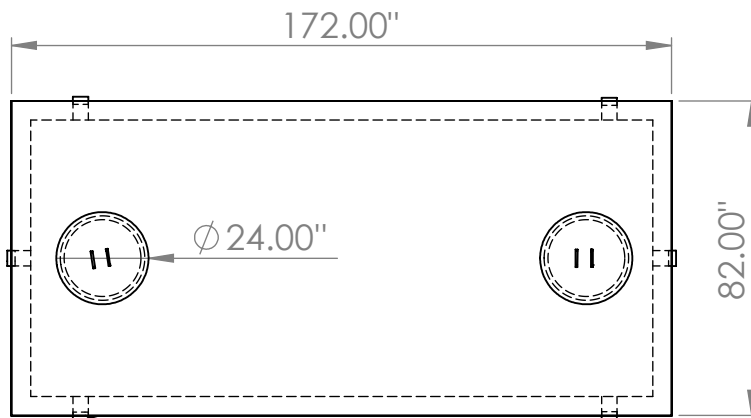
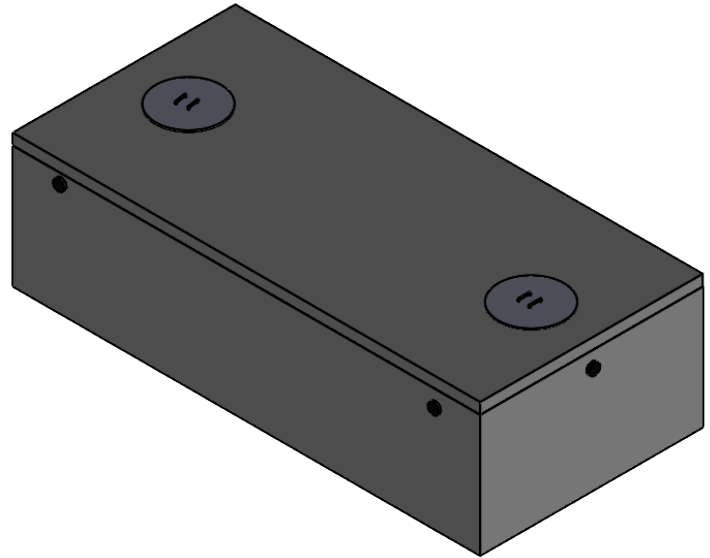


PEPIN PRECAST

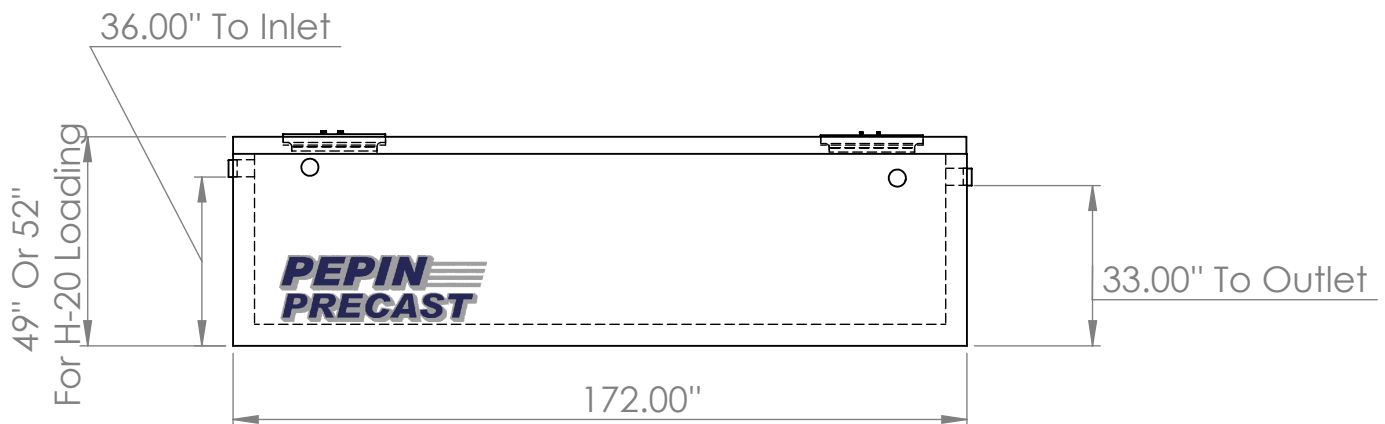
59 Shaw Road, Sanford ME
207-324-6125

www.pepinprecast.com

1500 Gallon Ledge Tank (Low Boy)
16,500 lbs



Rubber Boots on all
Inlets & Outlets



Specification

1. CONCRETE 5,000 PSI AFTER 28 DAYS
2. CEMENT PORTLAND TYPE III PER ASTM C150-81
3. STEEL REINFORCEMENT PER ASTM A-615. GRADE 60
4. DESIGN LOADING PER AASHTO HS-20
5. JOINTS SEALED WITH CONSEAL CS-102 BUTYL SEALANT