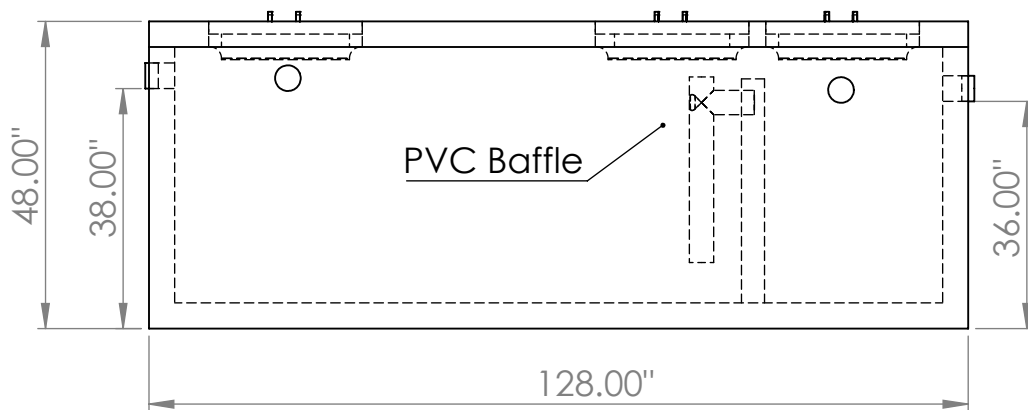
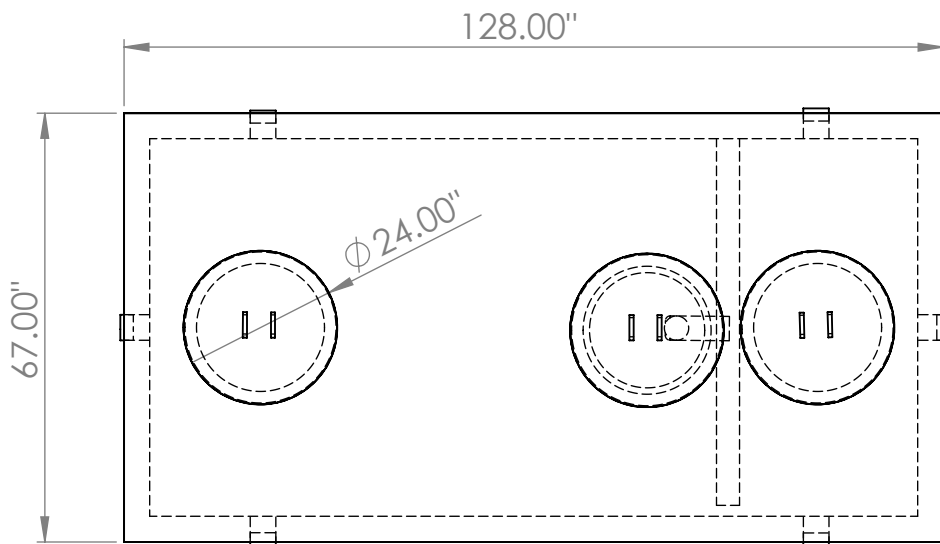
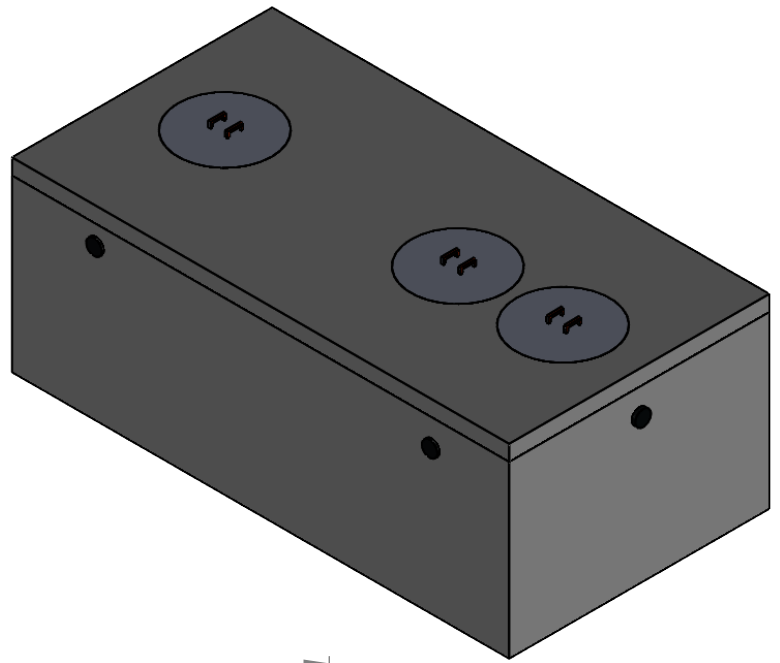


# PEPIN PRECAST

59 Shaw Road, Sanford ME  
207-324-6125  
WWW.PEPINPRECAST.COM  
1250 Gallon 2 Compartment  
Ledge Tank (Low Boy)  
10,800 LBS



## Specification

1. CONCRETE 5,000 PSI AFTER 28 DAYS
2. CEMENT PORTLAND TYPE II PER ASTM C150-81
3. STEEL REINFORCEMENT PER ASTM A-615. GRADE 60
4. DESIGN LOADING PER AASHTO HS-20
5. JOINTS SEALED WITH CONSEAL CS-102 BUTYL SEALANT