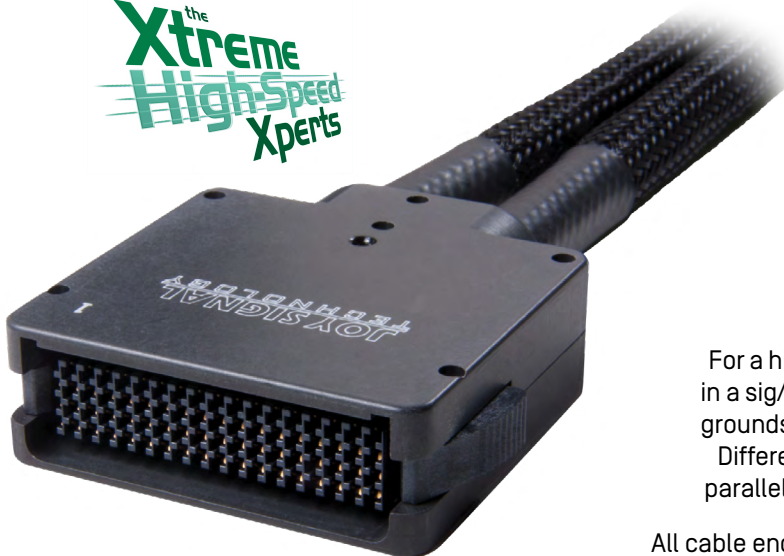


**the Xtreme  
High-Speed  
Xperts**



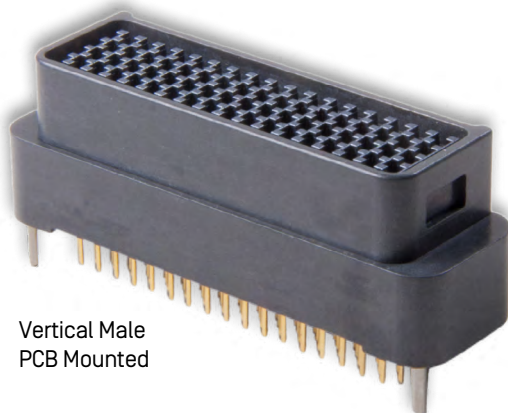
Developed for use as a rugged-test floor interconnect, the Compact Brute series connector allows for design flexibility with up to 140 pins on a 4x35 matrix.

The pins can be configured as signals, grounds or power up to 1.7A/pin. For lower performance applications a typical configuration could be 32 signals and 3 grounds on three rows for a total of 96 signals and 9 grounds. The remaining 35 pins could be power supply.

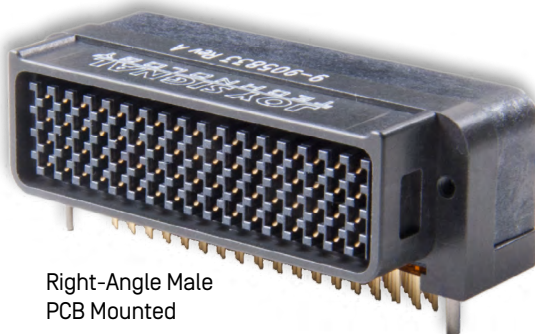
For a higher performance application each row can be configured in a sig/gnd/sig/gnd repeating pattern with 17 signals and 18 grounds per row or a connector total of 68 single-ended signals.

Differential signals running on shielded-twisted pair or shielded-parallel pair are also possible with this connector.

All cable end connectors are female. There are board-mounted headers available in vertical male, right-angle male, vertical female and right-angle female configurations. The female board connectors are for board-to-board connection in conjunction with the male-board connectors.



Vertical Male  
PCB Mounted



Right-Angle Male  
PCB Mounted

## Features & Benefits

- Rugged, hard anodized aluminum shell with PTFE Mil-Spec coating
- Contacts are protected by an LCP grid
- Patented hermaphroditic contact for low insertion force and long life
- Contacts are dual wipe for redundancy and high reliability
- 140 positions available for signal, ground or power
- Up to 1.7A/pin per contact
- PCB mounted connectors rated 630 VDC
- Resilient LCP Quick Latch system for quick attach and removal
- Two stainless steel alignment pins on board-mounted connections
- Secured to PCB with two 4-40 screws
- Available PCB-mounted connectors:
  - Vertical Male
  - Vertical Female
  - Right-Angle Male
  - Right-Angle Female
- Female board-mount connectors for board-to-board applications
- Cable-end connector always female
- Vertical Male Board footprint: 2.23" [56.6] x 0.66" [16.8]



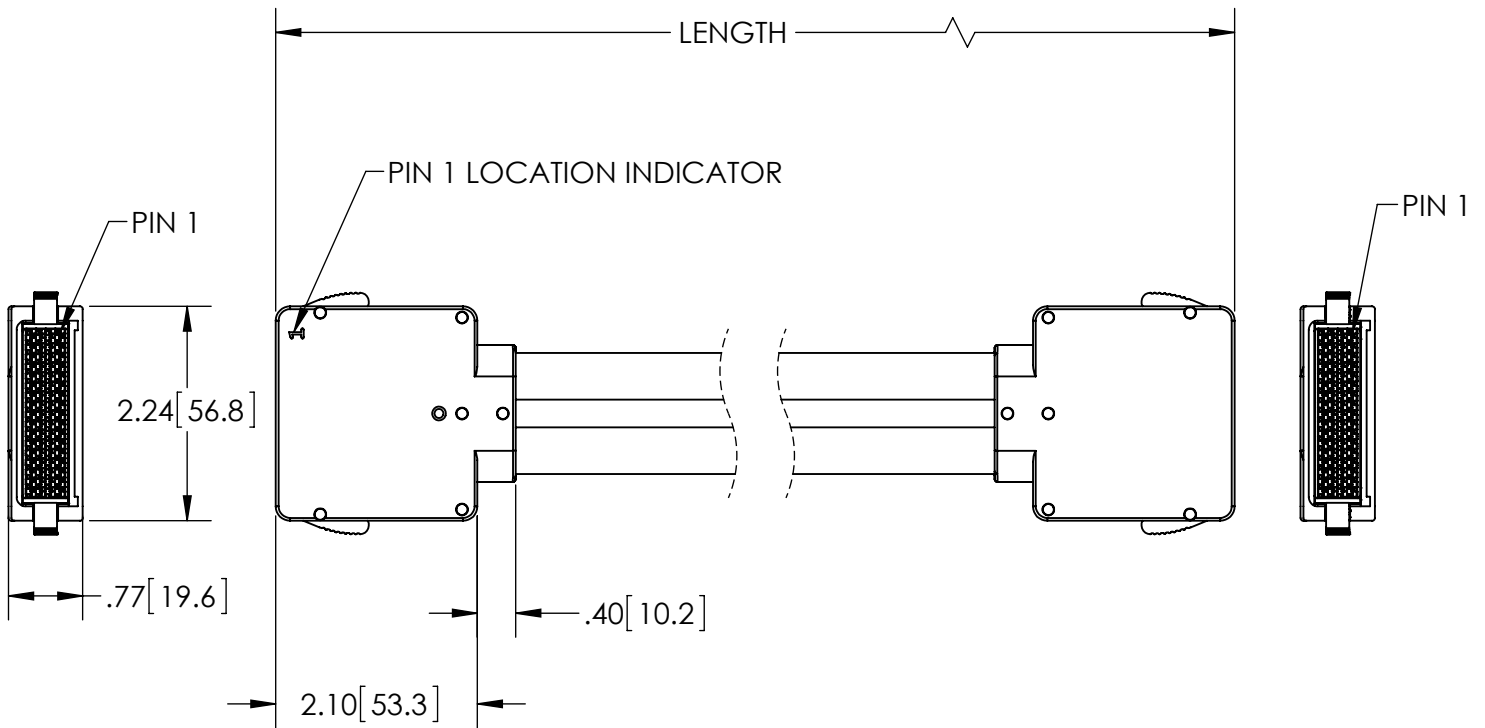
SAI GLOBAL  
ISO 9001:2015



[Visit us online!](http://www.joysignal.com)



**FEMALE CABLE END CONNECTOR**



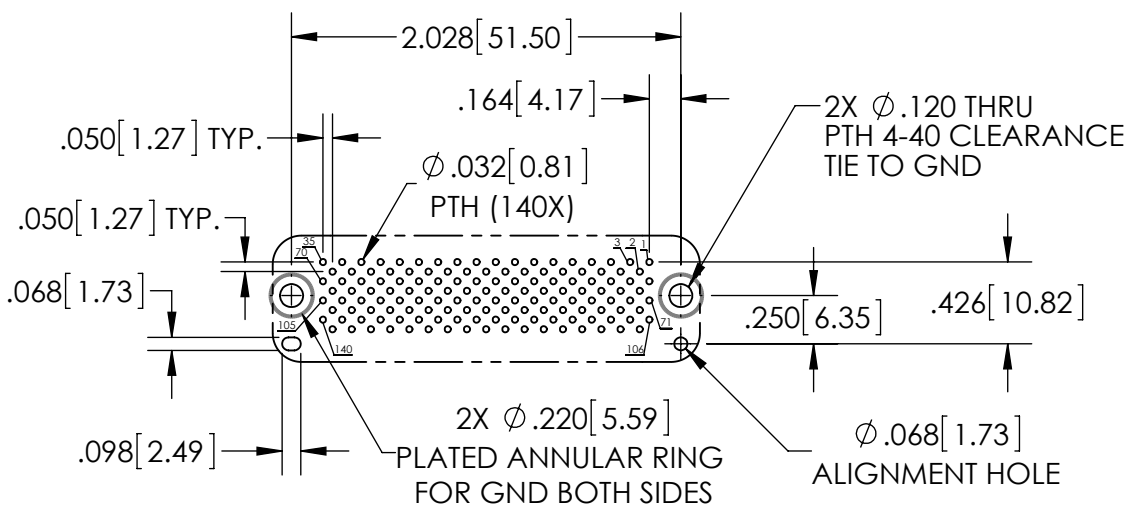
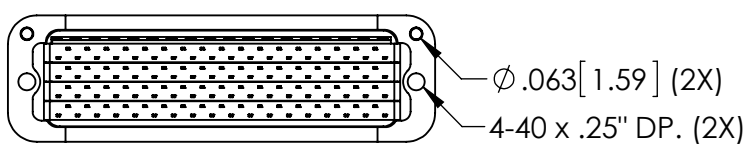
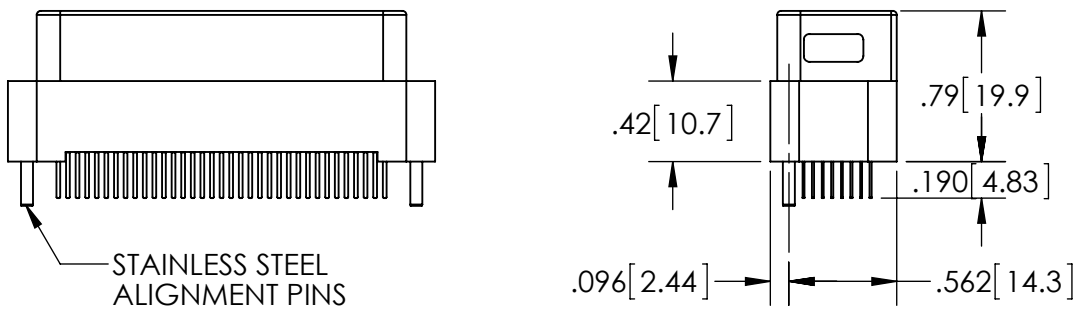
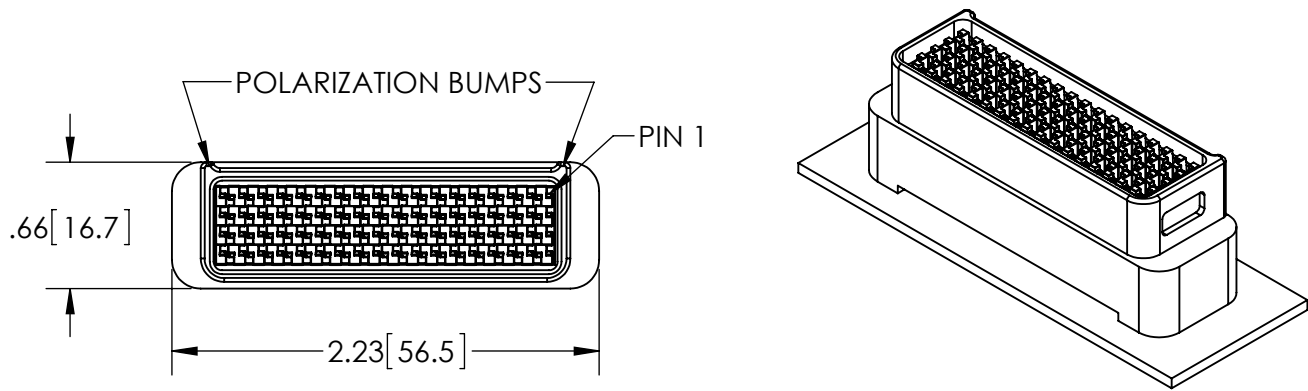
*For reference only, contact factory for current details.*



*Visit us online!*



**VERTICAL MALE PCB MOUNTED**



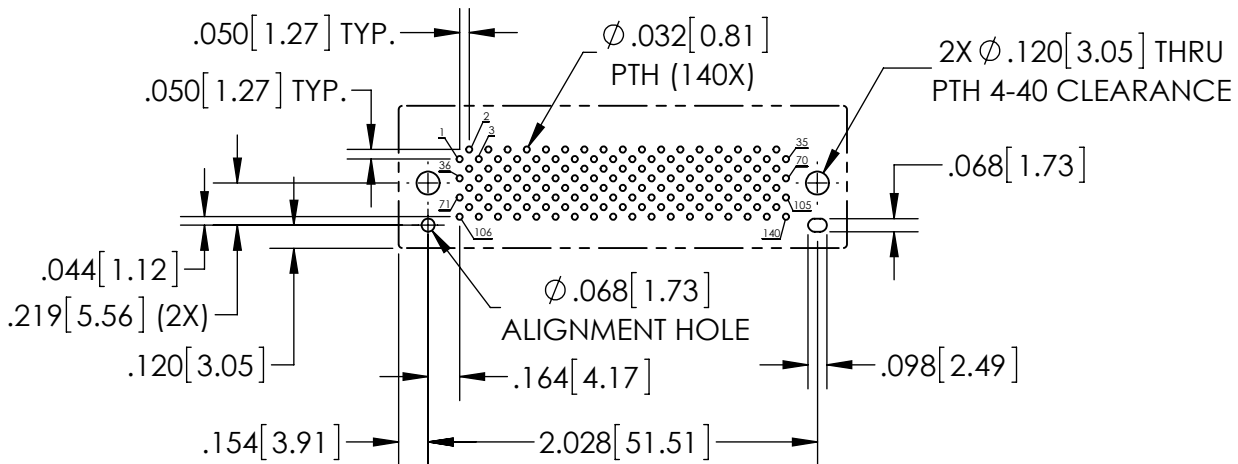
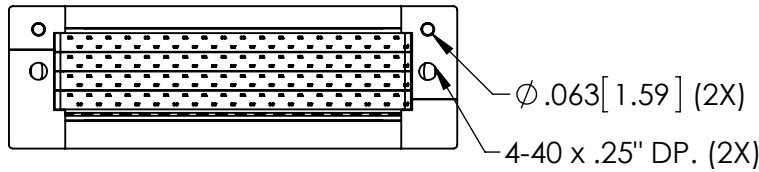
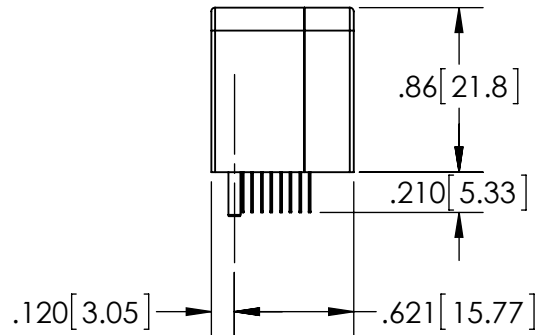
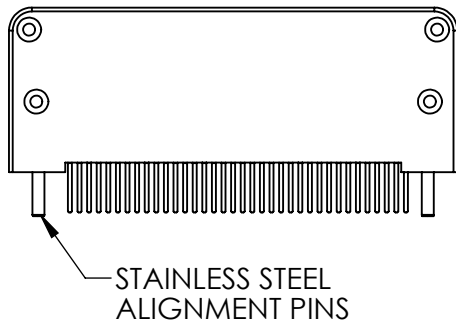
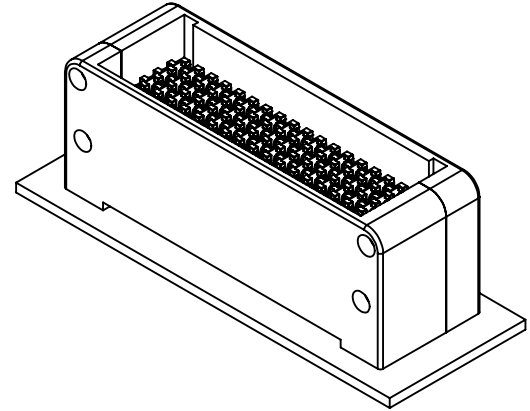
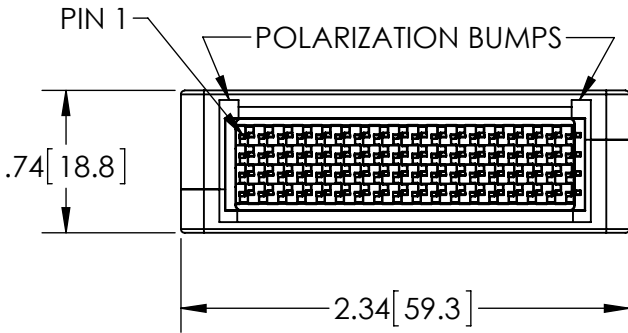
**PCB FOOTPRINT**



Visit us online!



**VERTICAL FEMALE PCB MOUNTED**



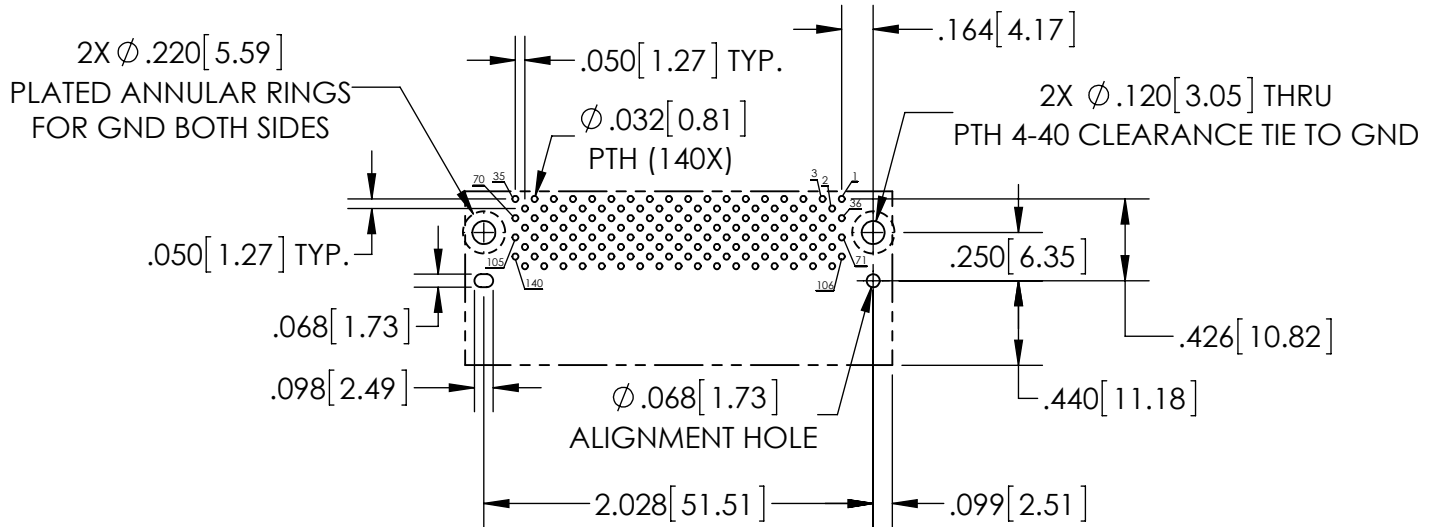
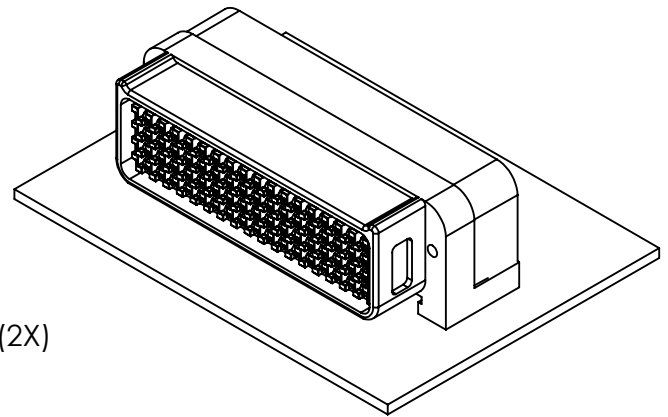
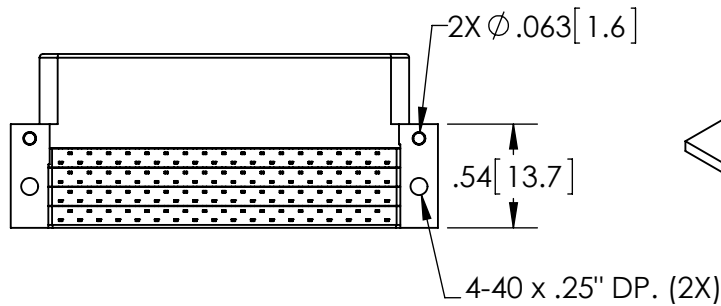
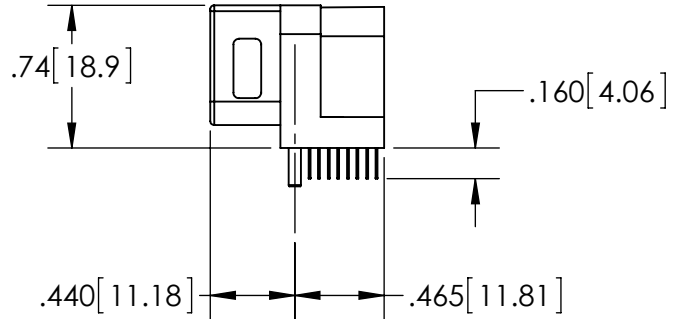
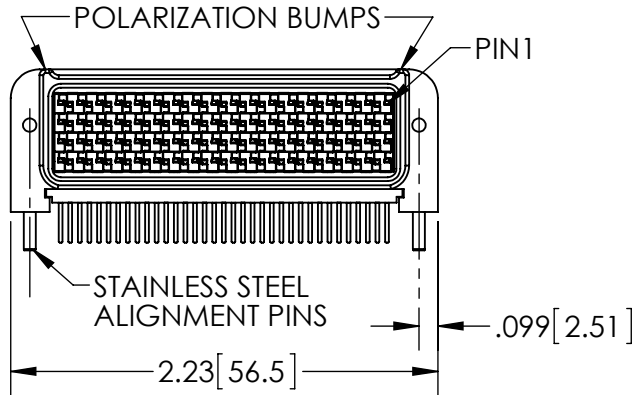
**PCB FOOTPRINT**



Visit us online!



**RIGHT ANGLE MALE PCB MOUNTED**



**PCB FOOTPRINT**



Visit us online!



**RIGHT ANGLE FEMALE PCB MOUNTED**

