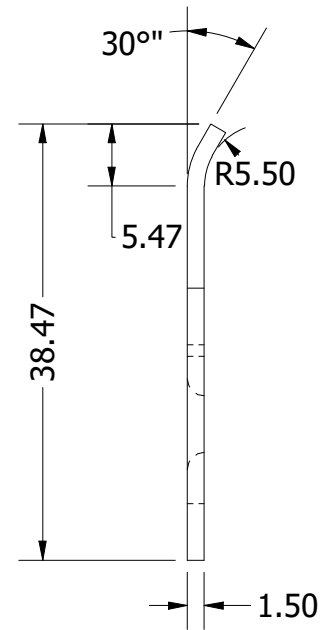
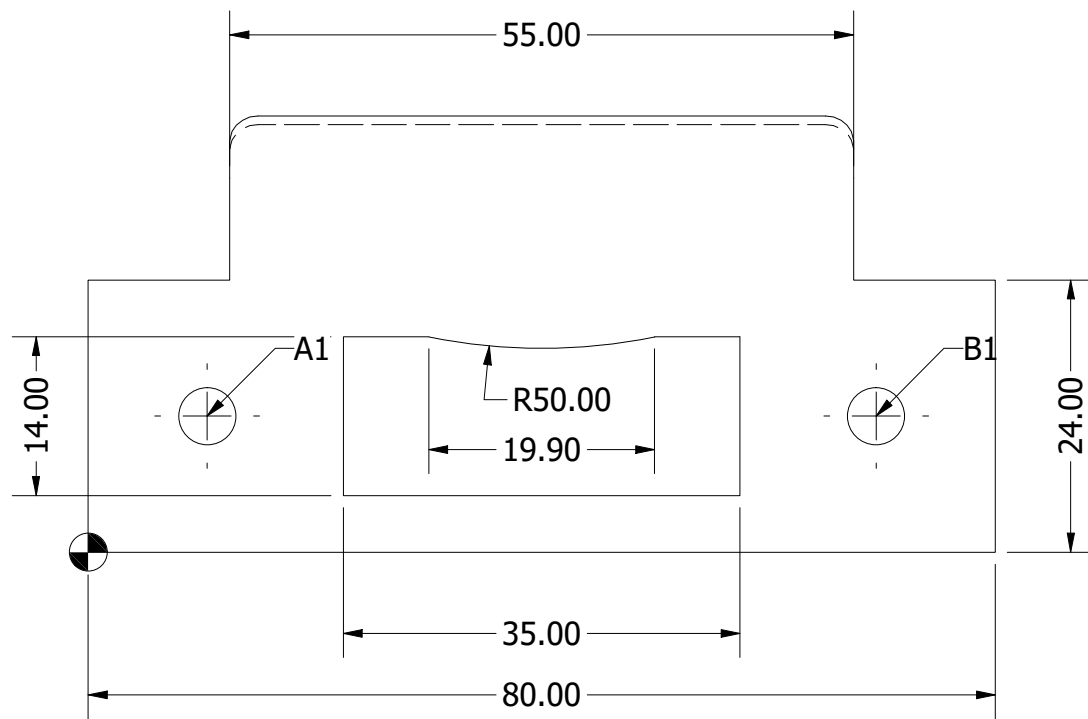
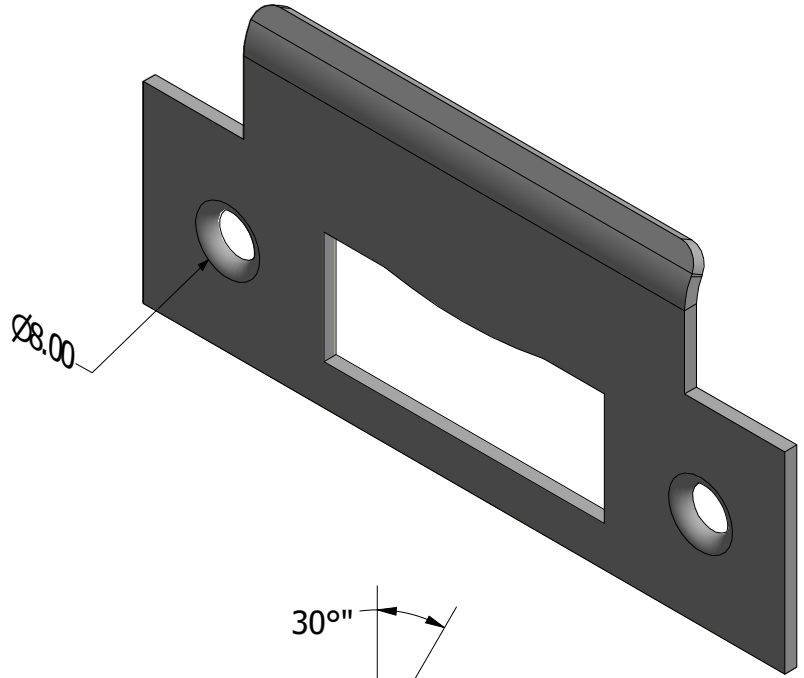
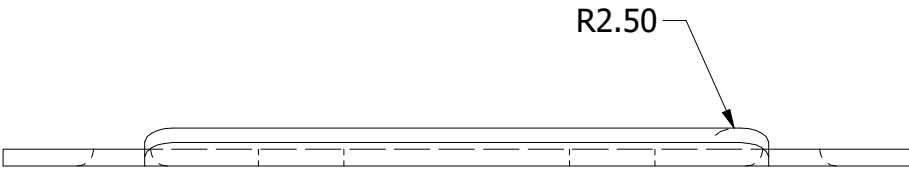


2

1

HOLE TABLE			
HOLE	XDIM	YDIM	DESCRIPTION
A1	10.50	12.00	Ø 5mm ▽ THRU ALL ✓ 8mm
B1	69.50	12.00	Ø 5mm ▽ THRU ALL ✓ 8mm



STUDCO BUILDING SYSTEMS
 1700 Boulder Industrial Parkway
 Webster, NY 14580
 Phone: 800-675-8023
 sales@studcosystems.com

DRAWING: DinS

DRAWN BY: Tjanate

DATE: 7/22/2021

REVISION:

© Copyright Studco Building Systems 2010. This drawing is covered by copyright and IP protection and remains the property of Studco Building Systems at all times. Do not scale drawings. If in doubt, please ask. Always confirm currency of drawing prior to installation. All designs and specifications should be confirmed by the project engineer prior to installation. Steel stud systems, concealed ceiling systems and all other steel sections noted are to be manufactured by Studco Building Systems unless noted otherwise. Design and installation to be in accordance with EZY-JAMB Installation Instructions, except where expressly specified otherwise. Error and omissions excepted.

SHEET: 9 of 9

2

1