



Cleveland Bay Horse Society

Registered Charity No. 293872
Registered Company No. 00022866

Bents Farm
Braithwaite
Summerbridge
Harrogate
HG3 4AN

Telephone: 07895 535147
Email: clevelandbayoffice@gmail.com
Website: www.clevelandbay.com

CLEVELAND BAY HORSE SOCIETY STALLION LICENSING PROCEDURE EXPLANATORY NOTES

Currently there are 3 types of stallion licence issued by the Society:

- I. BASIC LICENCE** - All colts must have at least a Basic Licence if their progeny out of a mare entered in the full stud book or Grading register are to be eligible for registration in the full stud book / Grading Register.

The granting of a Basic Licence is subject to a satisfactory veterinary report as determined by the CBHS. The Society can exercise its discretion to require an inspection where it considers it appropriate, and can revoke the licence at any time when the Society feels that the best interest of the breed will be served.

A Basic Licence is issued only as proof of breeding and veterinary soundness at the time of the veterinary inspection. It is not an indication of the quality of the horse or its compliance with the Breed Standard.

- II. BREED QUALITY APPROVED LICENCE** - Owners can put stallions forward at any time for Breed Quality Approval once their fertility has been established and they have stock on the ground. An application for QA will often follow on from the grant of a basic licence to a young colt in a previous year but this is not a prerequisite.

This licence is a seal of approval from the Breed Society in terms of the quality of the horse and therefore will only be granted after a full inspection by the Horse Assessors. A QA licence will only then be granted for life following the Horse Assessors' recommendation and acceptance by the Breed Committee.

- III. PART-BRED LICENCE** - Part-Bred Licences are awarded to CBHS registered part-bred stallions and are subject to the same veterinary and Society inspections as pure-bred stallions.

All fees including that for the Veterinary inspection is the responsibility of the owner and there is no funding available from the Society or via any grant fund.

The progeny of a Part-Bred Licenced stallion will be eligible for registration in the Part-Bred Register **ONLY** if at least one great grandparent is entered with a name and a number in the CBHS Pure Stud Book.

The CBHS reserves the right, at any time, to assess any horse that is the subject of an application for licence or has an existing licence of any type.

INITIAL INSPECTION

A colt may be licenced from 28 months of age subject to a satisfactory vet report from a veterinary surgeon appointed by the Society.

The application fee for the initial licence is £25 for Members and £50 for Non-Members. The applicant is responsible for all veterinary fees.

APPLICATIONS FOR BREED QUALITY APPROVAL

An owner of a stallion with a Basic Licence can put their stallion forward at any time for Breed Quality Approval once their fertility is proven.

For these subsequent inspections a fee of £50 (UK applicants) £25 (Overseas applicants) is payable to the Society. (In the case of UK applicants this will increase to £100 if the applicant requests a home visit rather than taking the horse to an inspection centre.) For non-members, the application fee is £50 in addition to all inspection-related fees and costs.

If the stallion is not successful the application can be repeated by the owner in subsequent years.

The following guidance notes are to be read in conjunction with the Society's Rules and Conditions for Stallion Licensing. Any queries should be referred to the Secretary.

STALLIONS GRADED OR LICENCED WITH ANOTHER BODY

CBHS consider successful attainment of a breeding licence which requires the satisfaction of more strict veterinary standards than those which CBHS requires to be sufficient to fulfill the veterinary inspection requirement of the CBHS basic stallion licence examination, provided that the full veterinary report completed for the other registry is shared with the CBHS Breed Committee, and all other aspects of the application for the basic breeding licence are completed, as for other applicants. The application and Vet report must be submitted to the CBHS within 3 calendar months of the original vet inspection carried out for the other registry.

Applications submitted after the 1st of February may not be processed in sufficient time for inclusion in the current year's SPARKS calculation, breeders' directory or breeding lists. Early submission is strongly recommended.

RULES AND CONDITIONS FOR STALLION LICENSING

1. ALL STALLIONS

All pure and part-bred Cleveland Bay stallions must comply with these regulations if their progeny is to be eligible in the Registers of the Cleveland Bay Horse Society.

2. APPLICATION FORM

A Licensing Application Form must be completed and returned to the Cleveland Bay Horse Society together with the appropriate fees, and the following photographic and video evidence of the stallion (Photographic and video evidence is required for Basic and Part-Bred licence applications only unless otherwise requested by the Society).

- side-on photographs from both directions;
- face-on photographs (please ensure the face is not obscured by the forelock);
- photograph from the rear – showing the horse standing straight (tail tied up or cut short to show hocks);
- video of horse walking and trotting away and back in a straight line (taken from behind / in front);
- video of the horse walking and trotting in a lunging circle in both directions.

All photographs and videos must be filmed on a hard flat level surface, with no vegetation to obscure the animals legs etc.

Photographs and video evidence must be taken within three calendar months of the application date and must not be digitally altered.

3. VETERINARY EXAMINATION

All stallions must be examined by a Veterinary Surgeon approved by the Society.

For a Basic Licence, colts may be inspected from 28 months old upwards by a veterinary surgeon approved and selected by the CBHS. The costs of the vet's fees for a Basic Licence are the responsibility of the applicant both for UK and overseas applicants and for pure and part-bred applications. In all cases, any subsequent inspections will be charged to the owner. There may be grants available from the HBLB for UK members. Please check with the Society.

An endoscope is not mandatory but is left to the discretion of the vet i.e. if it is the only way he can properly assess the horse's wind. If an endoscopic examination is used the cost of this will be borne by the colt owner.

4. SOCIETY INSPECTION FOR BREED QUALITY APPROVAL (QA)

All applicants for QA are subject to inspection by the Society's Assessors, or their authorised deputies, for breeding, fertility, blood lines, conformation, type and soundness. The Assessors' report will be forwarded to the Breed Committee. The Breed Committee's decision will be final and binding but, if turned down, the applicant may present the stallion for inspection the following year.

5. APPEALS PROCEDURE

The Owner may appeal, to the Council of the Society, against rejection. The appeal fee is £100, which is refundable if successful or at the Council's discretion.

Vet's and other fixed costs necessary for the appeal will be charged to the Appellant.

If a horse is rejected the owner may follow these alternative procedures:-

5.1 Present the horse for examination in subsequent years on paying the proper fees

or

5.2 Appeal in writing to the Council of the Society who will consider the written evidence put forward; and their decision will be final and binding on all parties.

The Council will not consider any appeal until the fee of £100 has been paid in full.

6. ASSESSMENT CENTRES

These will be selected by the Society depending on the number and location of applications each year.

7. DNA ANALYSIS

All stallions must be DNA analysed before being licensed and the results placed on the Society's confidential records.

DNA analysis is to be carried out at the owner's expense.

8. COVERING CERTIFICATES

A book of Covering certificates will be issued by the Society, upon request, to Stallion owners which can be used for more than one stallion and used for more than one breeding season. A certificate must be issued for every mare covered.

8.1 ARTIFICIAL INSEMINATION

Stallions being used for A.I. must comply with the Society's A.I. rules and conditions. The A.I. certificate must be completed in all cases. Forms are available from the Society. The DNA of both sire and dam is obligatory.

8.2 SWABTEST

The Society recommends that all stallions be swabbed and that each mare owner is advised to make their own enquiries into, and satisfy themselves of, the health status of the stallion and the premises.

9. RETROSPECTIVE COVERING CERTIFICATES

A colt may be used without approval at the owner's risk.

An application to licence a colt should be made at 28 months of age and, if approved, covering certificates will be issued retrospectively. If not approved no certificates will be issued and any progeny will not be eligible for registration in the main stud book.

10. PROCESSING

Applications will not be processed until all the required photographs, videos and supporting documentation have been received, and any outstanding fees paid.

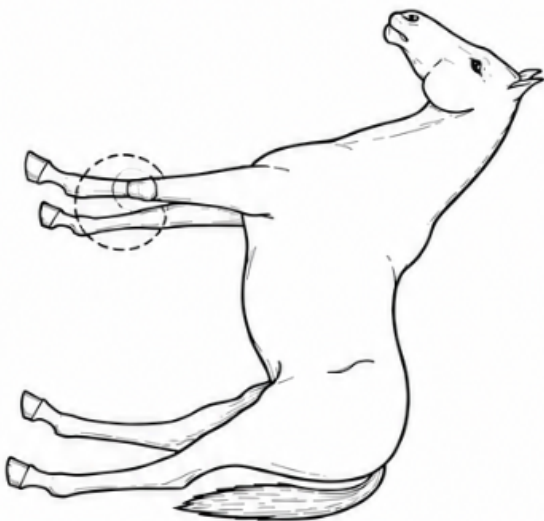
All applications for stallion licensing should be made to:

The Cleveland Bay Horse Society, Bents Farm, Braithwaite, Summerbridge, Harrogate, HG3 4AN

Email: clevelandbayoffice@gmail.com

CANNON BONE MEASUREMENT

1. GENERAL POSITION

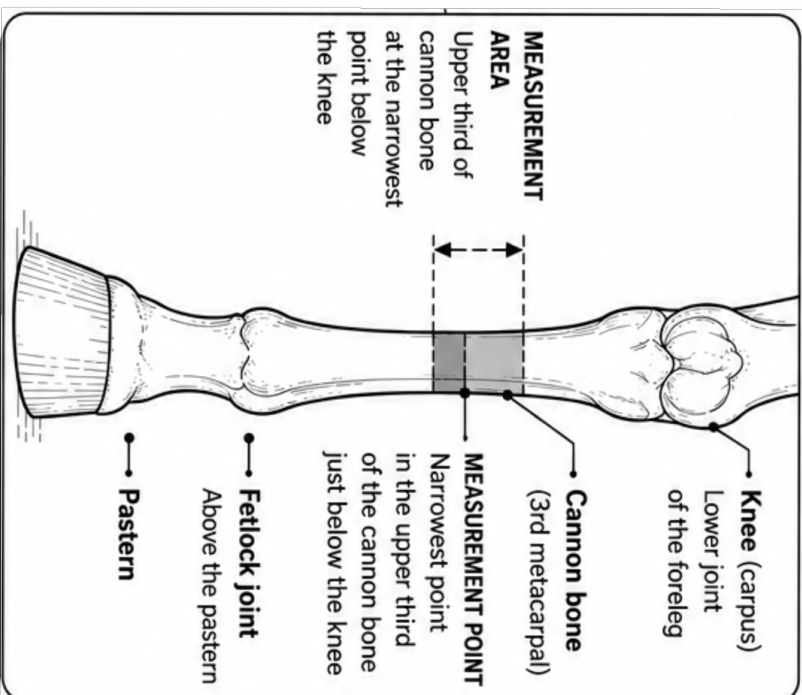


View of the left side.
Measurement is taken on the cannon bone (3rd metacarpal) of each foreleg.

Ensure the horse is standing square on a level surface with weight evenly distributed.

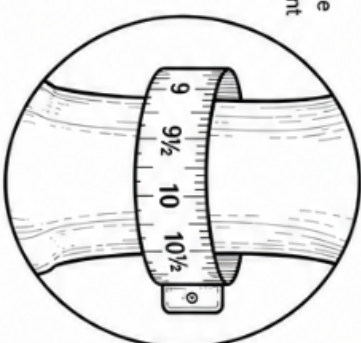
Measure the circumference of the cannon bone (3rd metacarpal) at the **NARROWEST POINT** of the leg on a tight tape.

2. MEASUREMENT AREA (EITHER FORELEG)



3. MEASUREMENT METHOD

Measure at the narrowest point of the leg on a tight tape.



- Place a flexible tape measure around the leg.
- Slide the tape up and down the leg with light pressure to locate the **NARROWEST POINT**.
- Measure the circumference at this point. The tape should be snug but not compress the soft tissue.
- Measure **BOTH** left and right forelegs. Record each measurement in **inches to the nearest 1/8 inch (1/8")**.
- Calculate and record the average of the two measurements.

4. RECORD MEASUREMENTS

Left Foreleg in. + Right Foreleg in. = Average (Left + Right ÷ 2) in.
(to nearest 1/8 inch) (to nearest 1/8 inch) (to nearest 1/8 inch)

5. NOTES



The cannon bone measurement is an indicator of bone density and overall substance in the Cleveland Bay.

Please record measurements clearly. Accurate measuring ensures a fair assessment.

Signature _____
 Date ____ / ____ / ____

CLEVELAND BAY HORSE SOCIETY
APPLICATION FOR BASIC STALLION LICENCE
(Under the National Stallion Association Approval Scheme)

NAME OF STALLION:
UELN:

DOB: _____ **S.B. NO:** _____ **HEIGHT:** _____

PEDIGREE Sire: _____ **Dam:** _____

ADDRESS WHERE YOUR STALLION WILL STAND
.....

NAME AND CONTACT DETAILS OF YOUR VETERINARY SURGEON:

Give details below of 3 Equine Vets (not your own Vet) that would be able to carry out a basic licence vetting on the above horse. Please ensure you have confirmed costs with the listed Vets prior to submitting this form. Any one of the 3 listed may be chosen.

- 1
- 2
- 3

I certify that the foregoing particulars are correct and I hereby make application to have the above stallion approved for a Basic Stallion Licence by the C.B.H.S. I have read and understand the Rules and Conditions for Stallion Licensing and agree to abide by them.

(Any member who fails to comply with the Rules and Conditions for Stallion Licensing may have their membership rescinded.)

NAME OF APPLICANT:

ADDRESS:

Tel. No: **Email**

SIGNATURE: **Date**

Please return this form to the Cleveland Bay Horse Society, together with the correct fee, and any supporting documentation.

For Office Use Only: Application Received: _____ Fees Received: _____ Passed: _____ Assessors: _____
--

CLEVELAND BAY HORSE SOCIETY
APPLICATION FOR BREED QUALITY APPROVED STALLION LICENCE
(Under the National Stallion Association Approval Scheme)

NAME OF STALLION:

UELN:

DOB:

S.B. NO:

HEIGHT:

PEDIGREE Sire:

Dam:

ADDRESS WHERE YOUR STALLION WILL STAND

.....

NAME AND CONTACT DETAILS OF YOUR VETERINARY SURGEON:

I certify that the foregoing particulars are correct and I hereby make application to have the above stallion approved for a Breed Quality Approved Licence by the C.B.H.S. I have read and understand the Rules and Conditions for Stallion Licensing and agree to abide by them. (Any member who fails to comply with the Rules and Conditions for Stallion Licensing may have their membership of the Society rescinded.)

NAME OF APPLICANT:

ADDRESS:

Tel. No: **Email**

SIGNATURE: **Date**

Please return this form to the Cleveland Bay Horse Society, together with the correct fee, and any supporting documentation.

<p>For Office Use Only: Application Received: _____ Fees Received: _____ Passed: _____ Assessors: _____</p>
--

