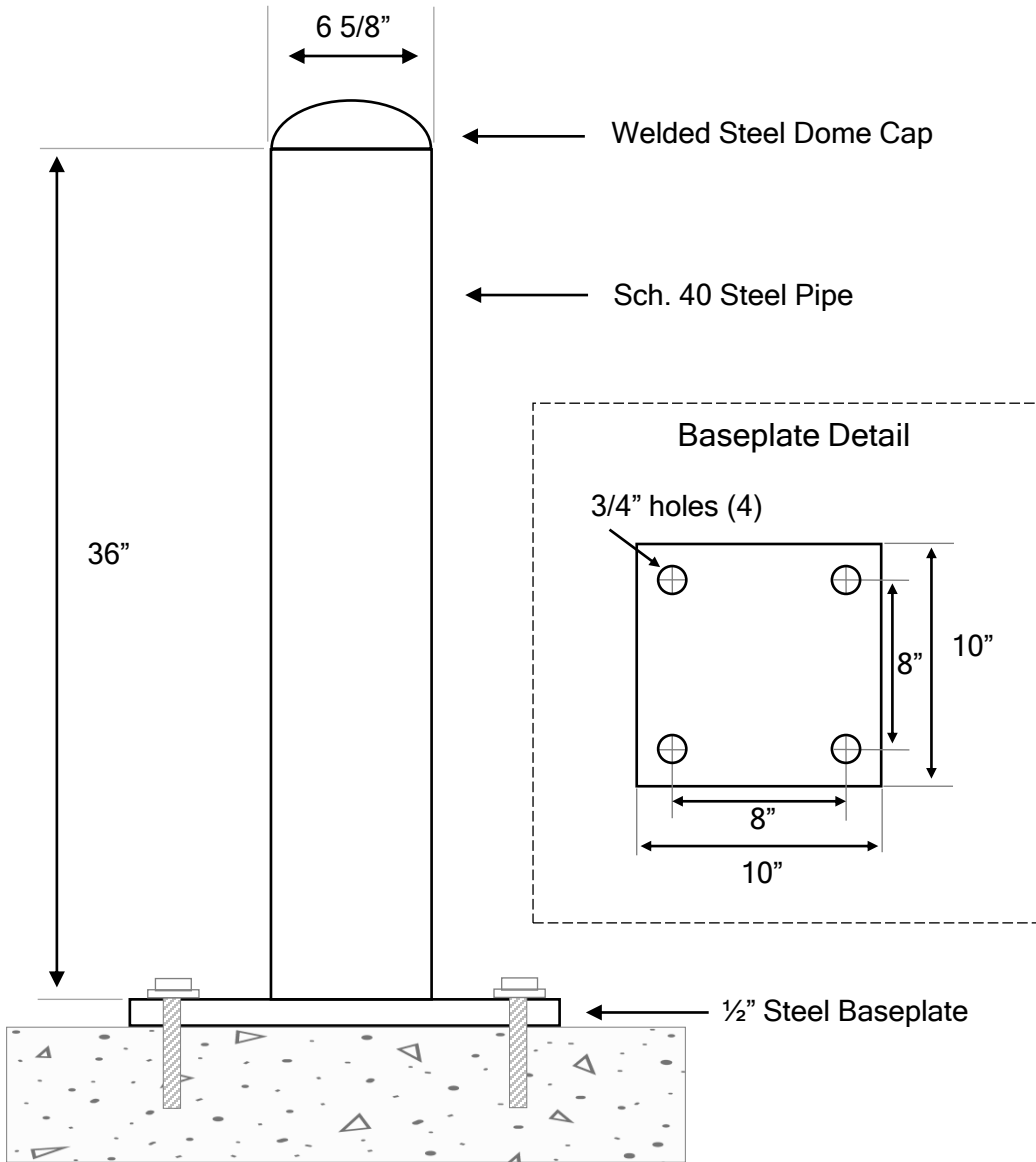


6" Bolt - Down Bollard, 36" Height

Made In The USA



Material:

- Sch 40 Carbon Steel Pipe*
- MTR Required
- Domestic Required

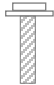
Finish:

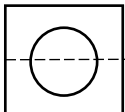
- Prime*
- Paint*
- Hot Galvanize
- Cold Galvanize
- Powder Coat
- Epoxy Coat

Options:

- Dome Steel Cap*
- Dome Concrete Mount Steel Cap
- Flat Cap
- Flat Concrete Mount Steel Cap
- Concrete Fill
- Chain Loops

** Standard unless otherwise specified.*

 *Recommended Anchor: Concrete with 5/8"x6" Wedge Anchor Bolts*



Bolt - Down Bollard

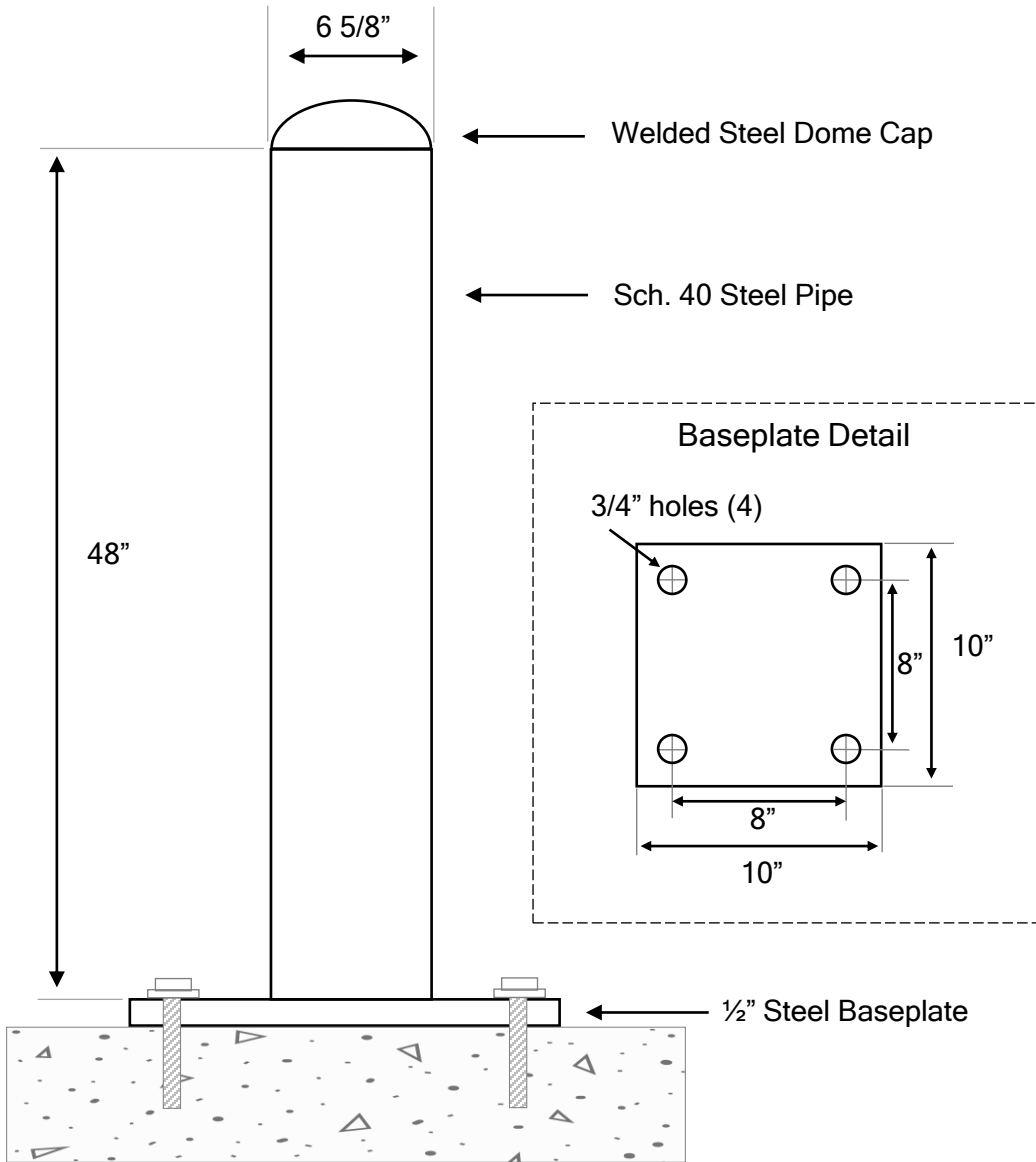
Surface Mounted

Item Number: SMB6x36(PP)

**not to scale*

6" Bolt - Down Bollard, 48" Height

Made In The USA



Material:

- Sch 40 Carbon Steel Pipe*
- MTR Required
- Domestic Required

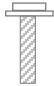
Finish:

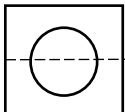
- Prime*
- Paint*
- Hot Galvanize
- Cold Galvanize
- Powder Coat
- Epoxy Coat

Options:

- Dome Steel Cap*
- Dome Concrete Mount Steel Cap
- Flat Cap
- Flat Concrete Mount Steel Cap
- Concrete Fill
- Chain Loops

** Standard unless otherwise specified.*

 *Recommended Anchor:
Concrete with 5/8"x6"
Wedge Anchor Bolts*



Bolt - Down Bollard

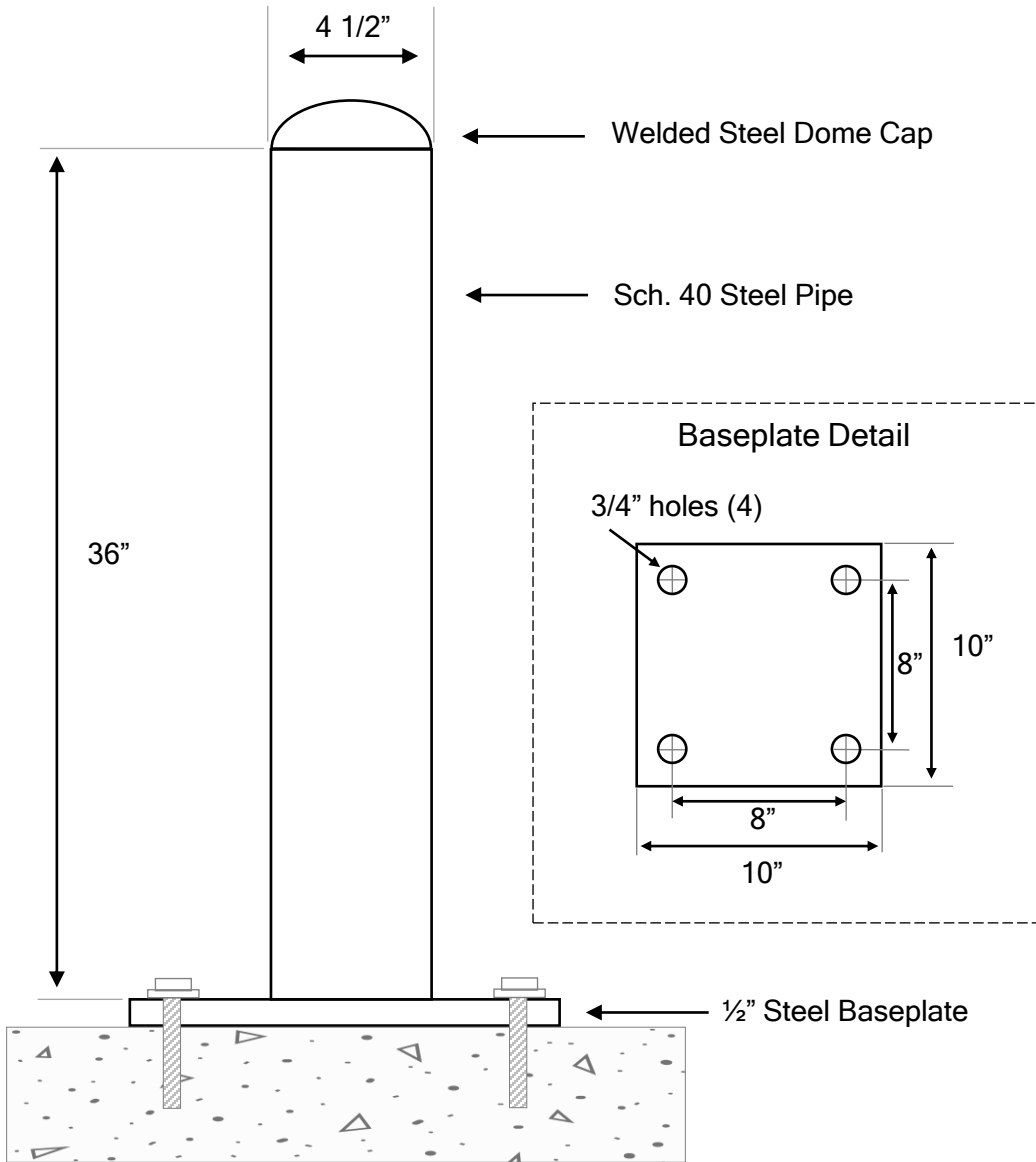
Surface Mounted

Item Number: SMB6x48(PP)

**not to scale*

4" Bolt - Down Bollard, 36" Height

Made In The USA



Material:

- Sch 40 Carbon Steel Pipe*
- MTR Required
- Domestic Required

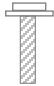
Finish:

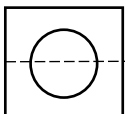
- Prime*
- Paint*
- Hot Galvanize
- Cold Galvanize
- Powder Coat
- Epoxy Coat

Options:

- Dome Steel Cap*
- Dome Concrete Mount Steel Cap
- Flat Cap
- Flat Concrete Mount Steel Cap
- Concrete Fill
- Chain Loops

** Standard unless otherwise specified.*

 *Recommended Anchor:
Concrete with 5/8"x6"
Wedge Anchor Bolts*



Bolt - Down Bollard

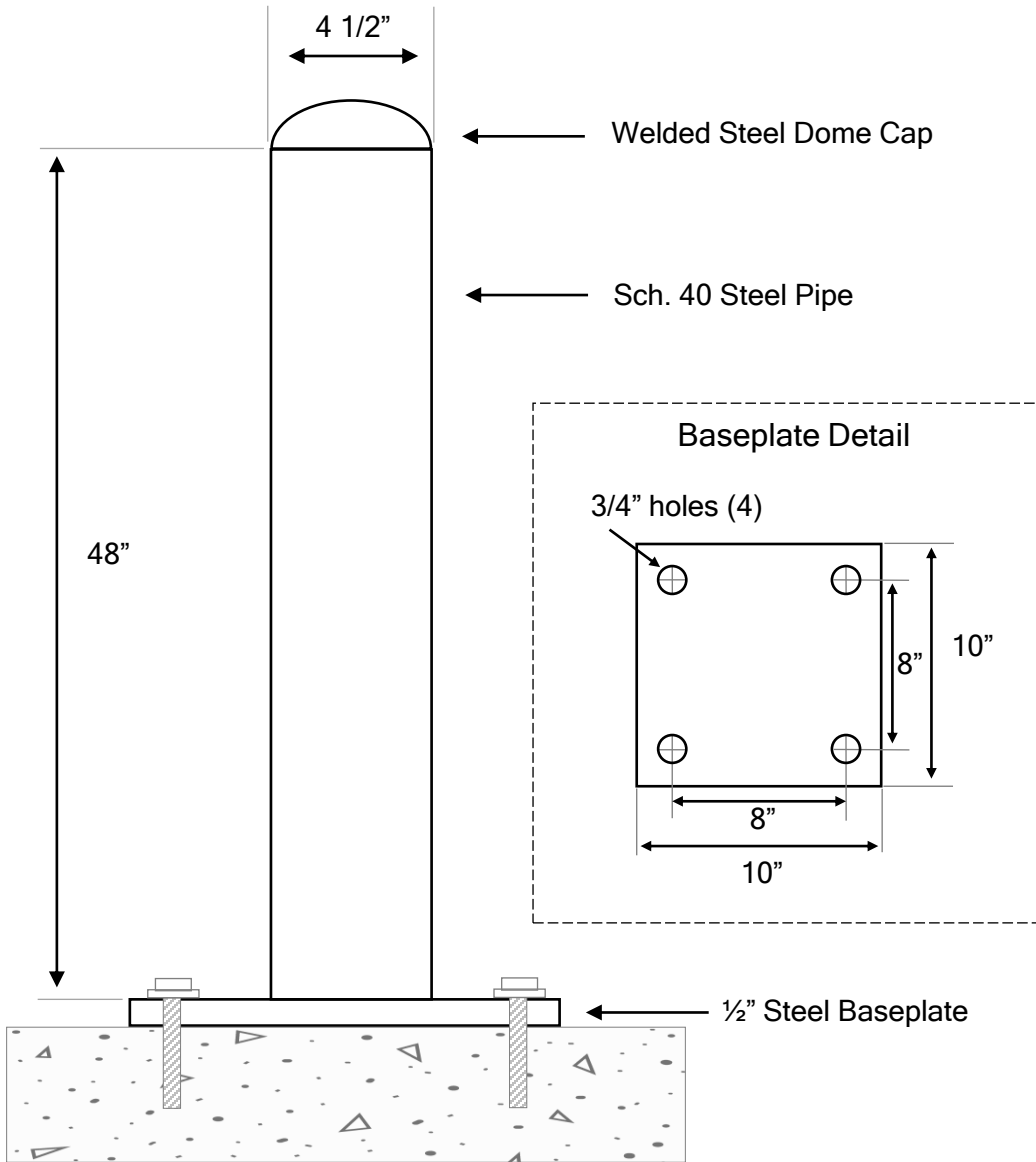
Surface Mounted

Item Number: SMB4x36(PP)

**not to scale*

4" Bolt - Down Bollard, 48" Height

Made In The USA



Material:

- Sch 40 Carbon Steel Pipe*
- MTR Required
- Domestic Required

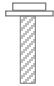
Finish:

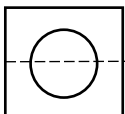
- Prime*
- Paint*
- Hot Galvanize
- Cold Galvanize
- Powder Coat
- Epoxy Coat

Options:

- Dome Steel Cap*
- Dome Concrete Mount Steel Cap
- Flat Cap
- Flat Concrete Mount Steel Cap
- Concrete Fill
- Chain Loops

** Standard unless otherwise specified.*

 *Recommended Anchor: Concrete with 5/8"x6" Wedge Anchor Bolts*



Bolt - Down Bollard

Surface Mounted

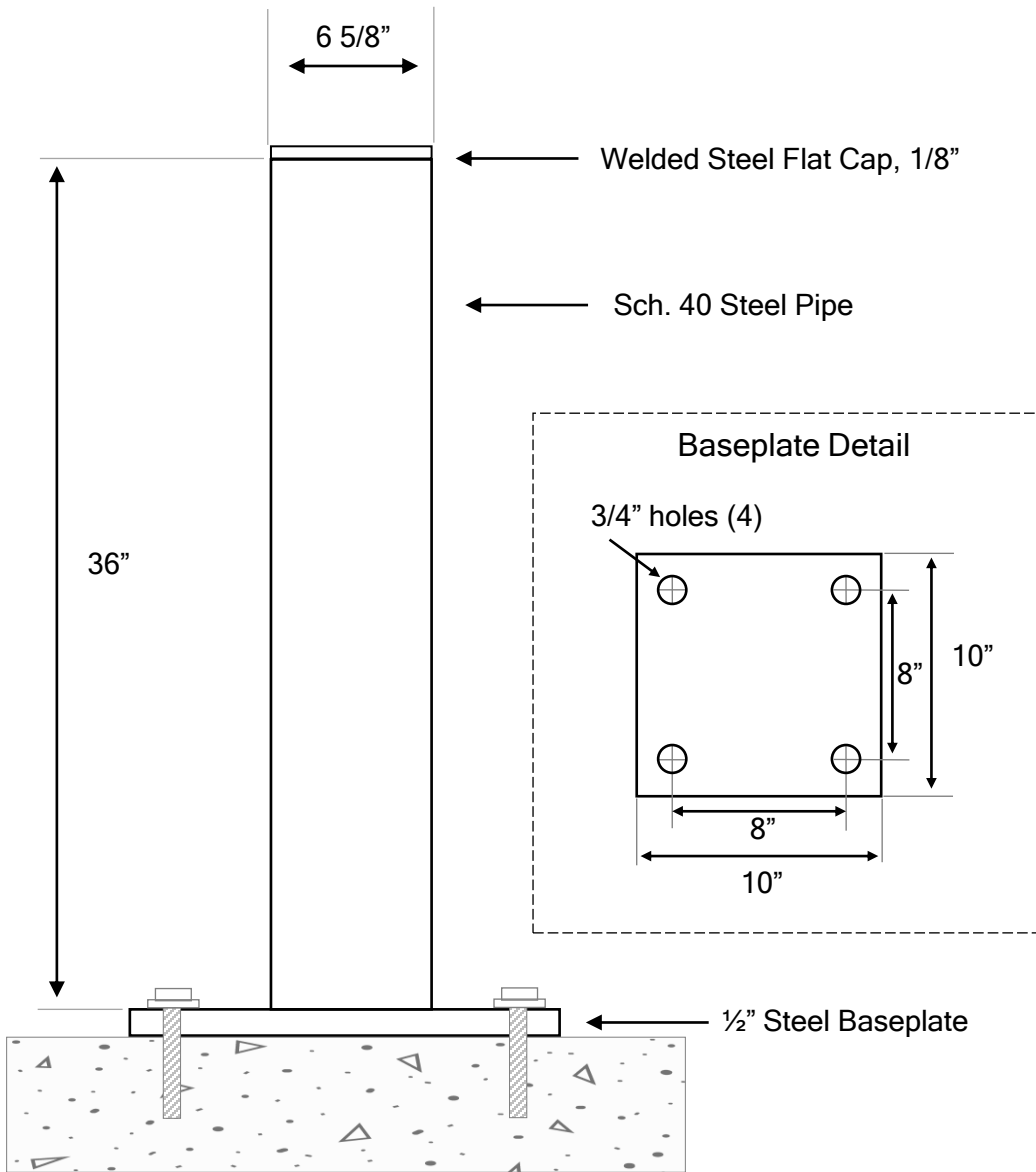
Item Number: SMB4x48(PP)

**not to scale*

SMB Flat Caps

6" Bolt - Down Bollard, 36" Height, Flat

Made In The USA



Material:

- Sch 40 Carbon Steel Pipe*
- MTR Required
- Domestic Required

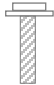
Finish:

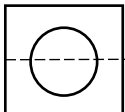
- Prime*
- Paint*
- Hot Galvanize
- Cold Galvanize
- Powder Coat
- Epoxy Coat

Options:

- Dome Steel Cap*
- Dome Concrete Mount Steel Cap
- Flat Cap
- Flat Concrete Mount Steel Cap
- Concrete Fill
- Chain Loops

** Standard unless otherwise specified.*

 *Recommended Anchor: Concrete with 5/8"x6" Wedge Anchor Bolts*



Bolt - Down Bollard

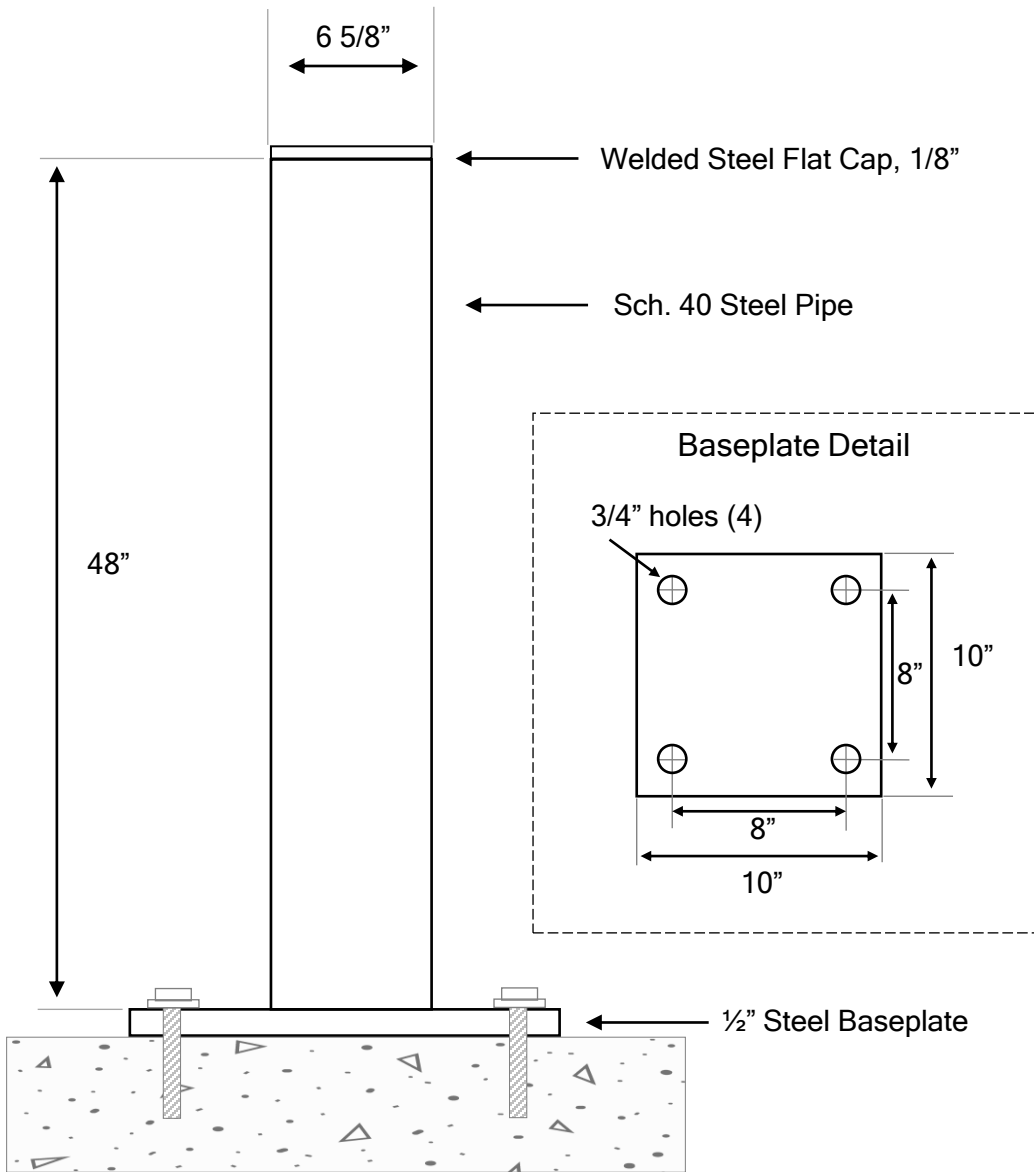
Surface Mounted

Item Number: SMB6x36F(PP)

**not to scale*

6" Bolt - Down Bollard, 48" Height, Flat

Made In The USA



Material:

- Sch 40 Carbon Steel Pipe*
- MTR Required
- Domestic Required

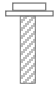
Finish:

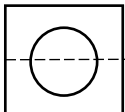
- Prime*
- Paint*
- Hot Galvanize
- Cold Galvanize
- Powder Coat
- Epoxy Coat

Options:

- Dome Steel Cap*
- Dome Concrete Mount Steel Cap
- Flat Cap
- Flat Concrete Mount Steel Cap
- Concrete Fill
- Chain Loops

** Standard unless otherwise specified.*

 *Recommended Anchor:
Concrete with 5/8"x6"
Wedge Anchor Bolts*



Bolt - Down Bollard

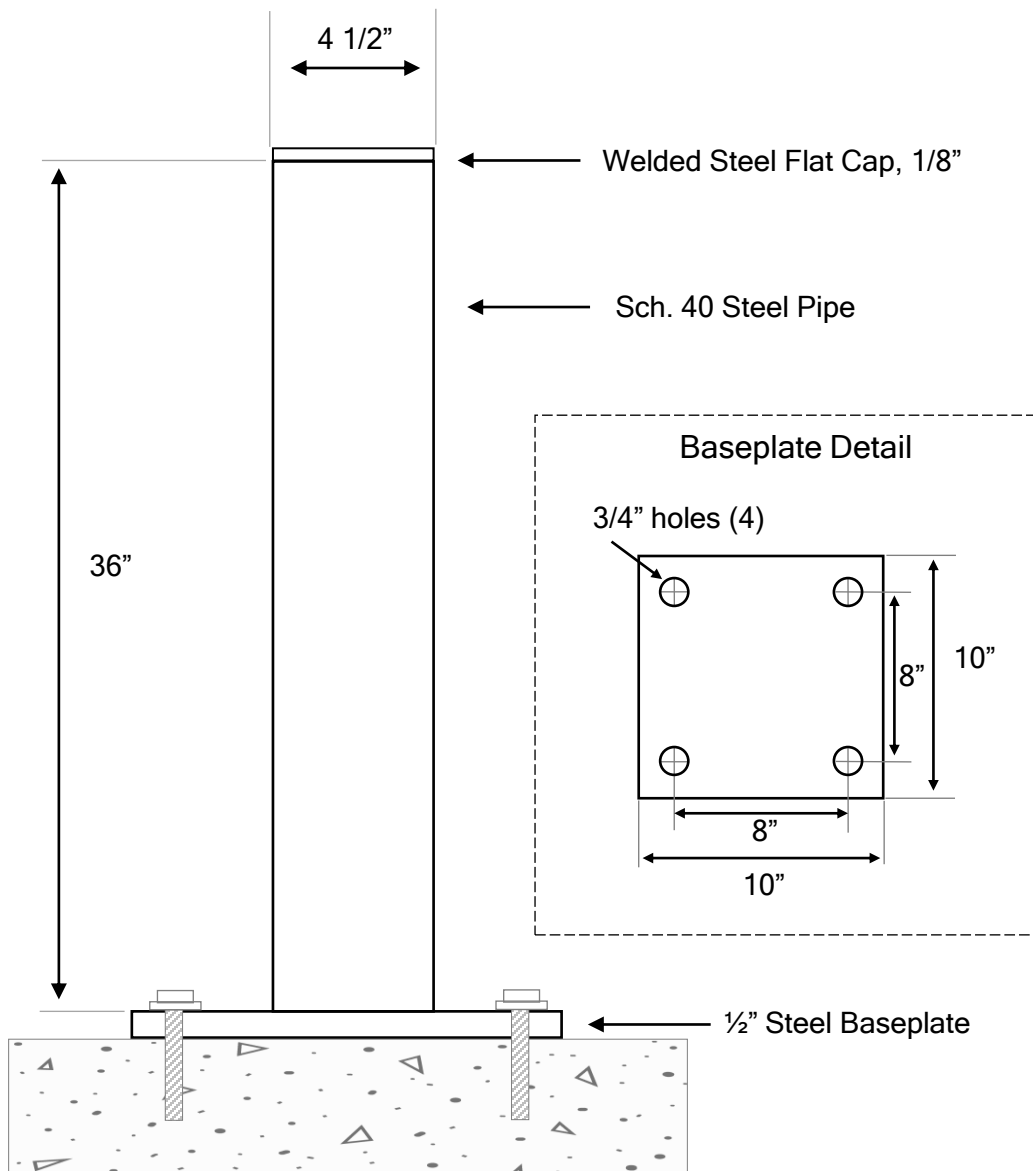
Surface Mounted

Item Number: SMB6x48F(PP)

**not to scale*

4" Bolt - Down Bollard, 36" Height, Flat

Made In The USA



Material:

- Sch 40 Carbon Steel Pipe*
- MTR Required
- Domestic Required

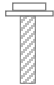
Finish:

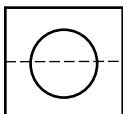
- Prime*
- Paint*
- Hot Galvanize
- Cold Galvanize
- Powder Coat
- Epoxy Coat

Options:

- Dome Steel Cap*
- Dome Concrete Mount Steel Cap
- Flat Cap
- Flat Concrete Mount Steel Cap
- Concrete Fill
- Chain Loops

** Standard unless otherwise specified.*

 *Recommended Anchor:
Concrete with 5/8"x6"
Wedge Anchor Bolts*



Bolt - Down Bollard

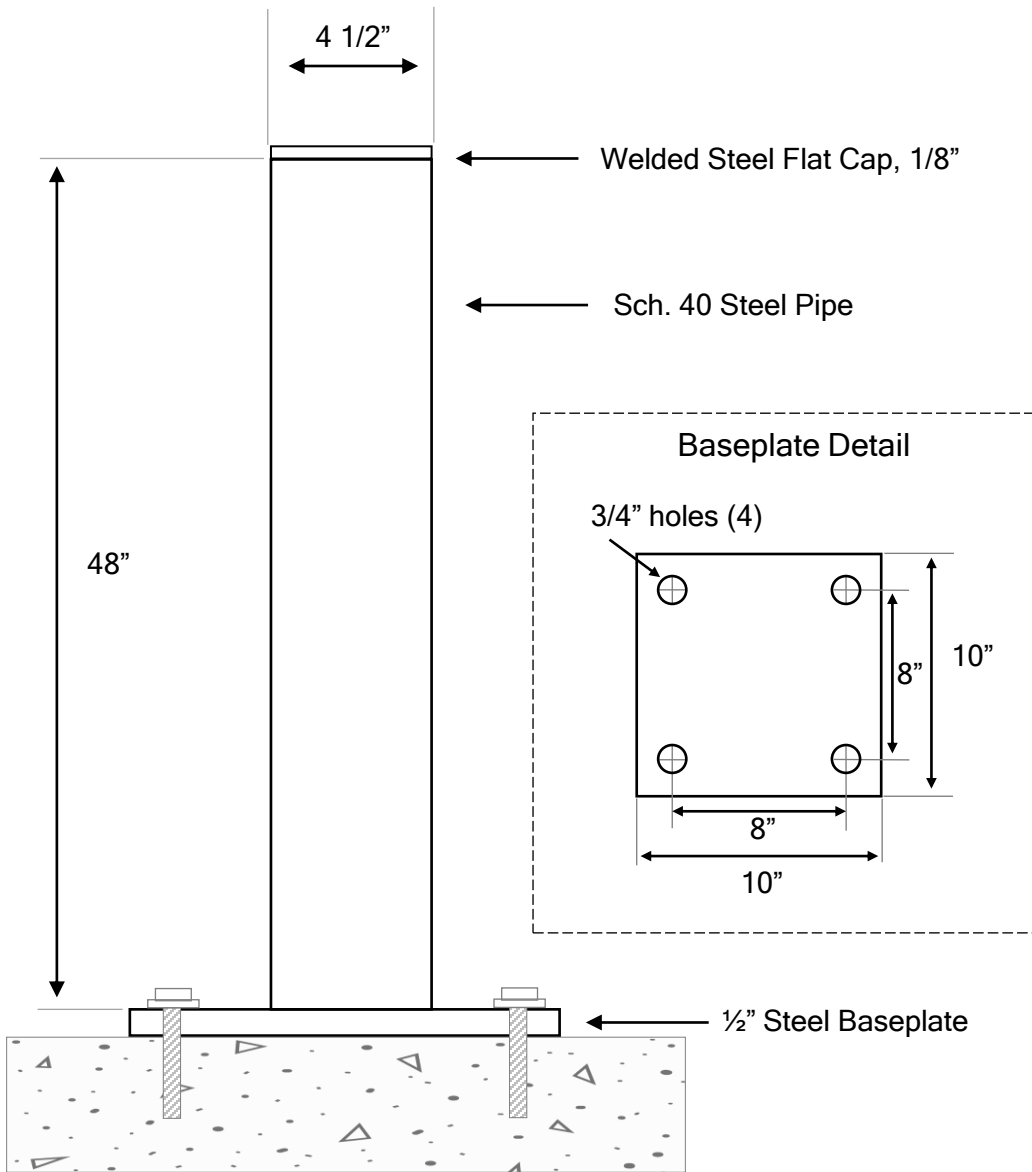
Surface Mounted

Item Number: SMB4x36F(PP)

**not to scale*

4" Bolt - Down Bollard, 48" Height, Flat

Made In The USA



Material:

- Sch 40 Carbon Steel Pipe*
- MTR Required
- Domestic Required

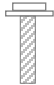
Finish:

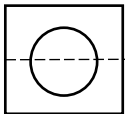
- Prime*
- Paint*
- Hot Galvanize
- Cold Galvanize
- Powder Coat
- Epoxy Coat

Options:

- Dome Steel Cap*
- Dome Concrete Mount Steel Cap
- Flat Cap
- Flat Concrete Mount Steel Cap
- Concrete Fill
- Chain Loops

** Standard unless otherwise specified.*

 *Recommended Anchor:
Concrete with 5/8"x6"
Wedge Anchor Bolts*



Bolt - Down Bollard

Surface Mounted

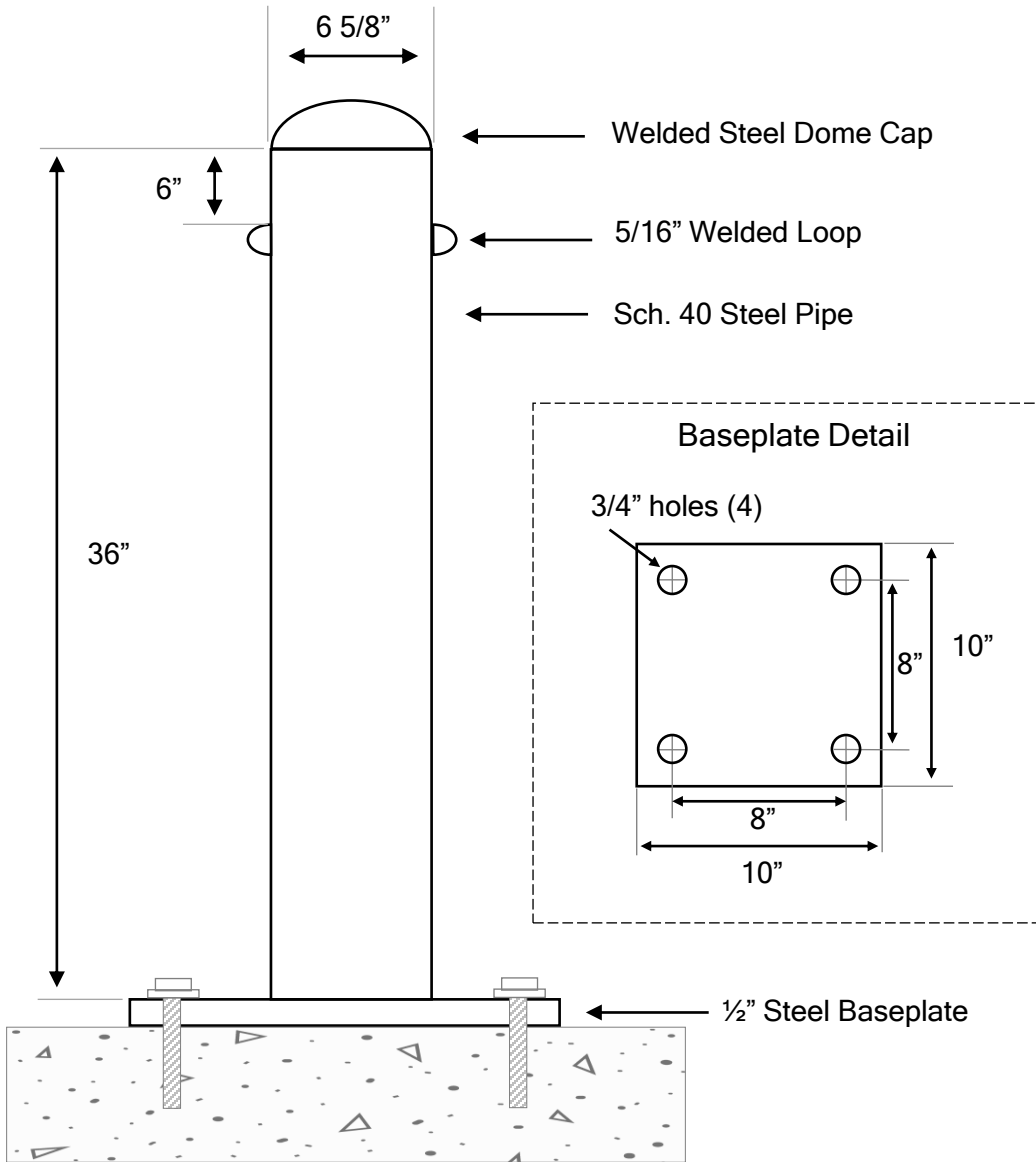
Item Number: SMB4x48F(PP)

**not to scale*

SMB Chain Loops

6" Bolt - Down Bollard, 36" Height, Chain Loop

Made In The USA



Material:

- Sch 40 Carbon Steel Pipe*
- MTR Required
- Domestic Required

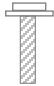
Finish:

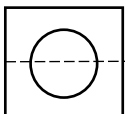
- Prime*
- Paint*
- Hot Galvanize
- Cold Galvanize
- Powder Coat
- Epoxy Coat

Options:

- Dome Steel Cap*
- Dome Concrete Mount Steel Cap
- Flat Cap
- Flat Concrete Mount Steel Cap
- Concrete Fill
- Chain Loops

** Standard unless otherwise specified.*

 **Recommended Anchor:**
Concrete with 5/8"x6"
Wedge Anchor Bolts



Bolt - Down Bollard

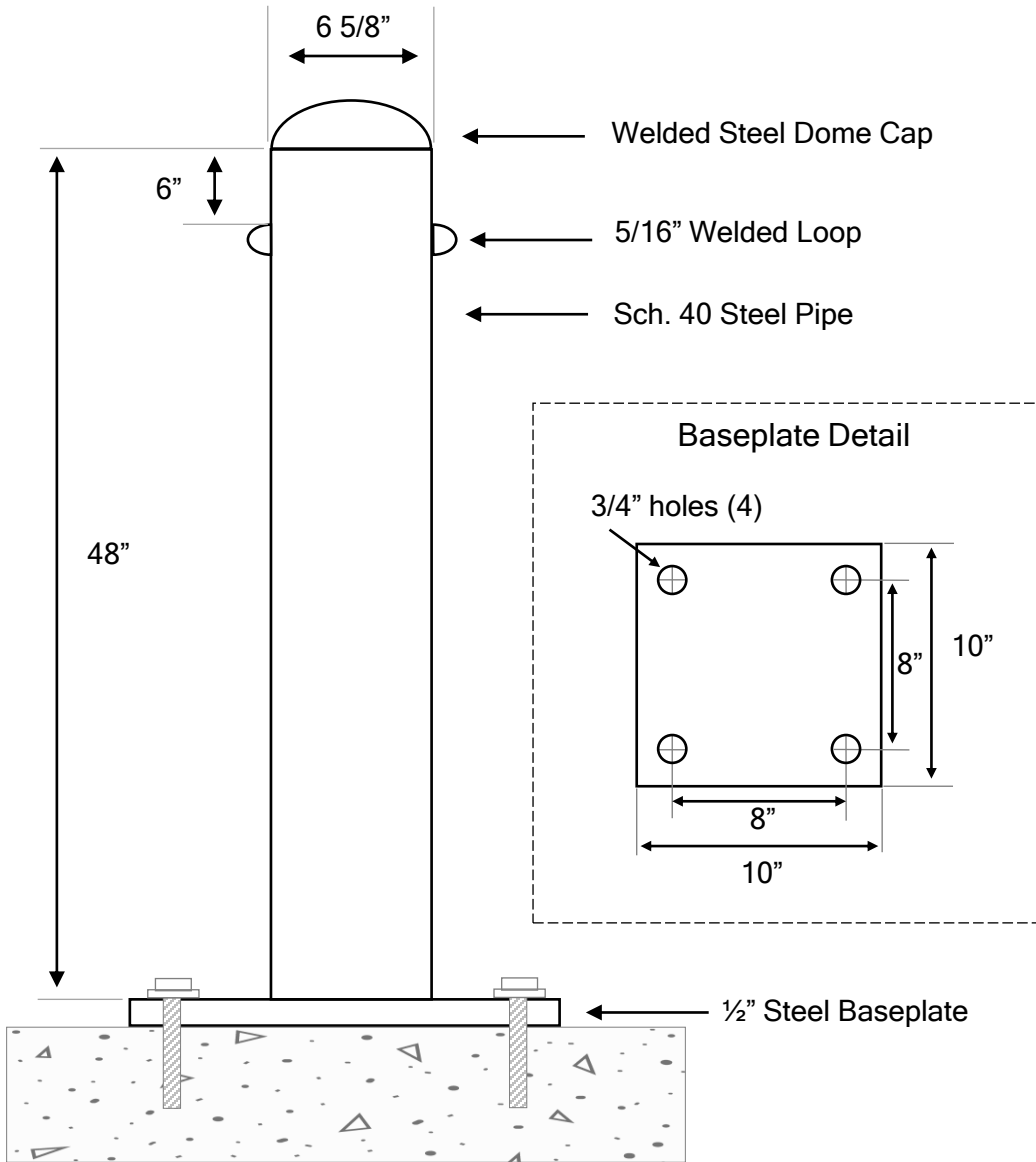
Surface Mounted

Item Number: SMB6x36CL(PP)

**not to scale*

6" Bolt - Down Bollard, 48" Height, Chain Loop

Made In The USA



Material:

- Sch 40 Carbon Steel Pipe*
- MTR Required
- Domestic Required

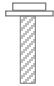
Finish:

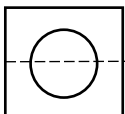
- Prime*
- Paint*
- Hot Galvanize
- Cold Galvanize
- Powder Coat
- Epoxy Coat

Options:

- Dome Steel Cap*
- Dome Concrete Mount Steel Cap
- Flat Cap
- Flat Concrete Mount Steel Cap
- Concrete Fill
- Chain Loops

** Standard unless otherwise specified.*

 *Recommended Anchor:
Concrete with 5/8"x6"
Wedge Anchor Bolts*



Bolt - Down Bollard

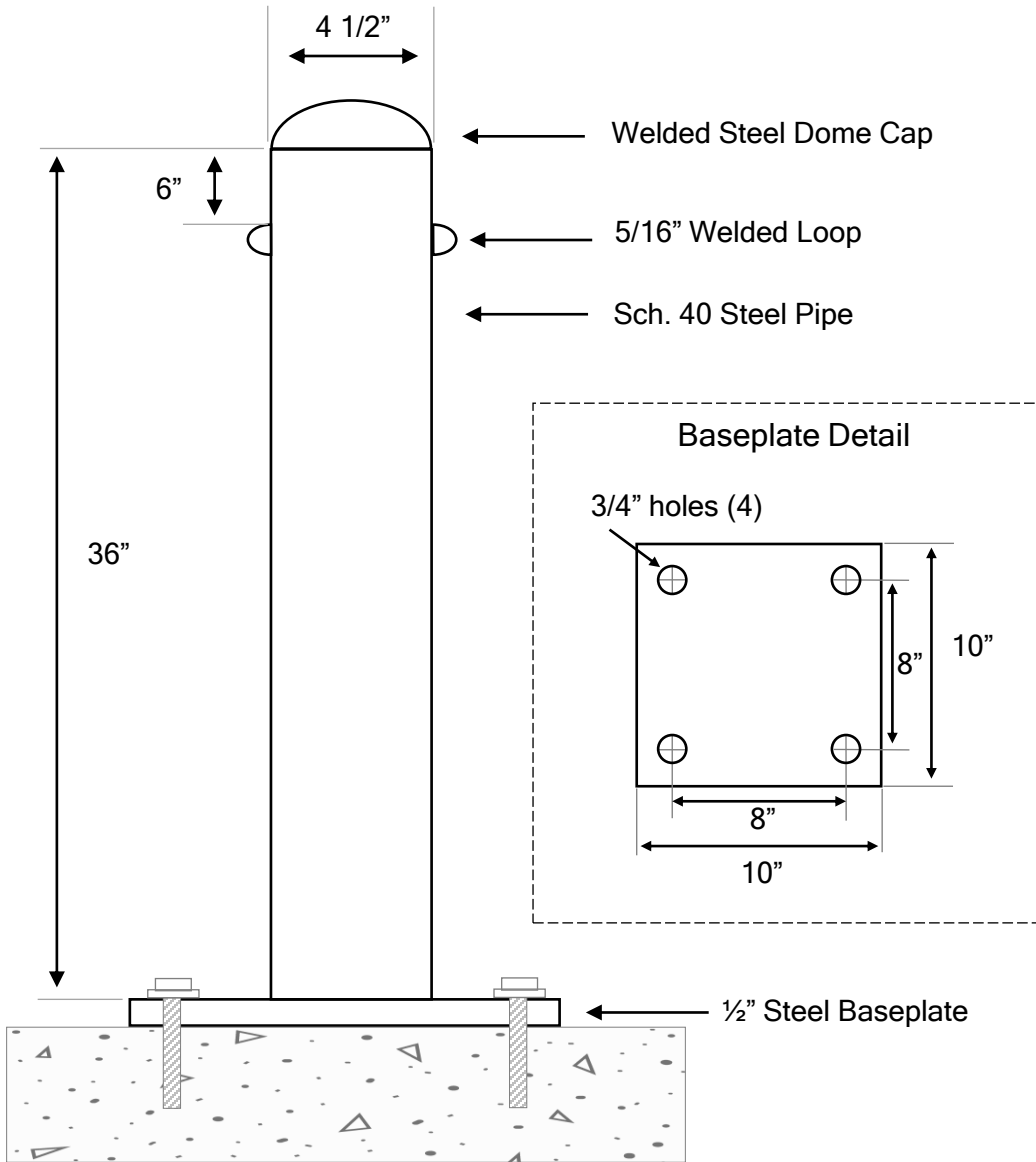
Surface Mounted

Item Number: SMB6x48CL(PP)

**not to scale*

4" Bolt - Down Bollard, 36" Height , Chain Loop

Made In The USA



Material:

- Sch 40 Carbon Steel Pipe*
- MTR Required
- Domestic Required

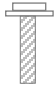
Finish:

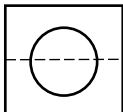
- Prime*
- Paint*
- Hot Galvanize
- Cold Galvanize
- Powder Coat
- Epoxy Coat

Options:

- Dome Steel Cap*
- Dome Concrete Mount Steel Cap
- Flat Cap
- Flat Concrete Mount Steel Cap
- Concrete Fill
- Chain Loops

* Standard unless otherwise specified.

 Recommended Anchor:
Concrete with 5/8"x6"
Wedge Anchor Bolts



Bolt - Down Bollard

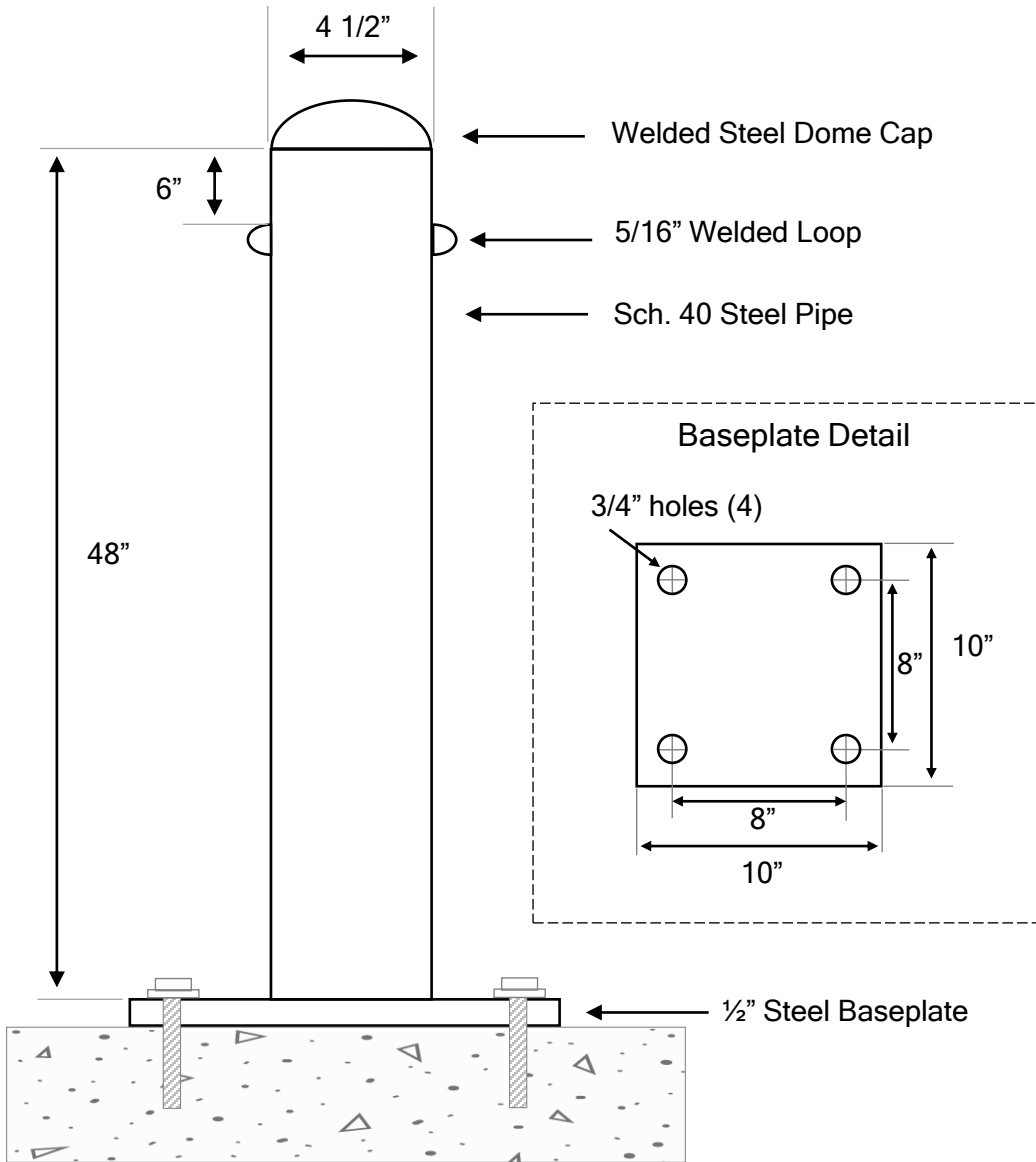
Surface Mounted

Item Number: SMB4x36CL(PP)

**not to scale*

4" Bolt - Down Bollard, 48" Height , Chain Loop

Made In The USA



Material:

- Sch 40 Carbon Steel Pipe*
- MTR Required
- Domestic Required

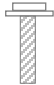
Finish:

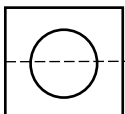
- Prime*
- Paint*
- Hot Galvanize
- Cold Galvanize
- Powder Coat
- Epoxy Coat

Options:

- Dome Steel Cap*
- Dome Concrete Mount Steel Cap
- Flat Cap
- Flat Concrete Mount Steel Cap
- Concrete Fill
- Chain Loops

** Standard unless otherwise specified.*

 *Recommended Anchor: Concrete with 5/8"x6" Wedge Anchor Bolts*



Bolt - Down Bollard

Surface Mounted

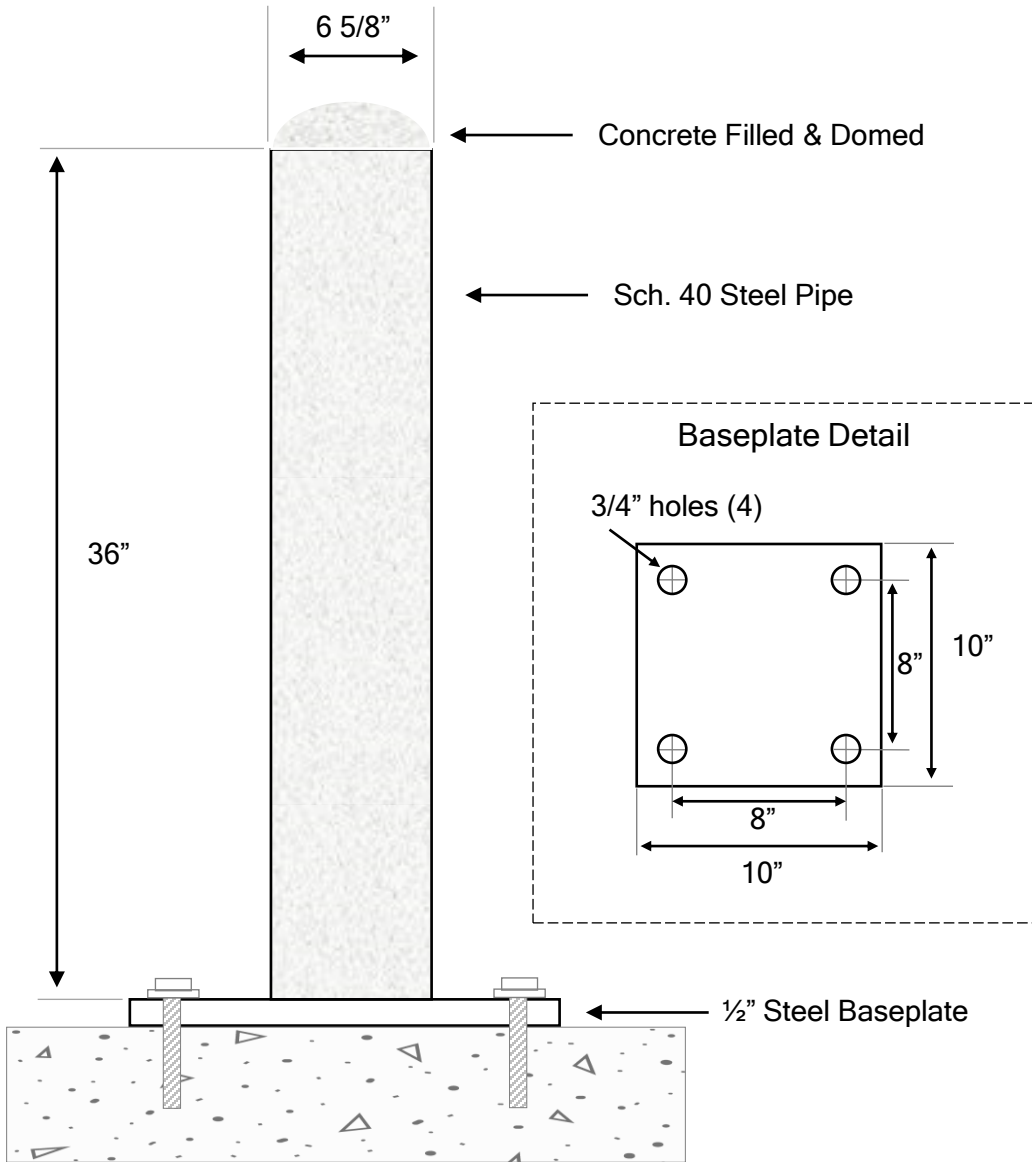
Item Number: SMB4x48CL(PP)

**not to scale*

SMB Concrete Fill

6" Bolt - Down Bollard, 36" Height, Concrete Fill

Made In The USA



Material:

- Sch 40 Carbon Steel Pipe*
- MTR Required
- Domestic Required

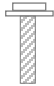
Finish:

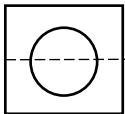
- Prime*
- Paint*
- Hot Galvanize
- Cold Galvanize
- Powder Coat
- Epoxy Coat

Options:

- Dome Steel Cap*
- Dome Concrete Mount Steel Cap
- Flat Cap
- Flat Concrete Mount Steel Cap
- Concrete Fill
- Chain Loops

** Standard unless otherwise specified.*

 *Recommended Anchor: Concrete with 5/8"x6" Wedge Anchor Bolts*



Bolt - Down Bollard

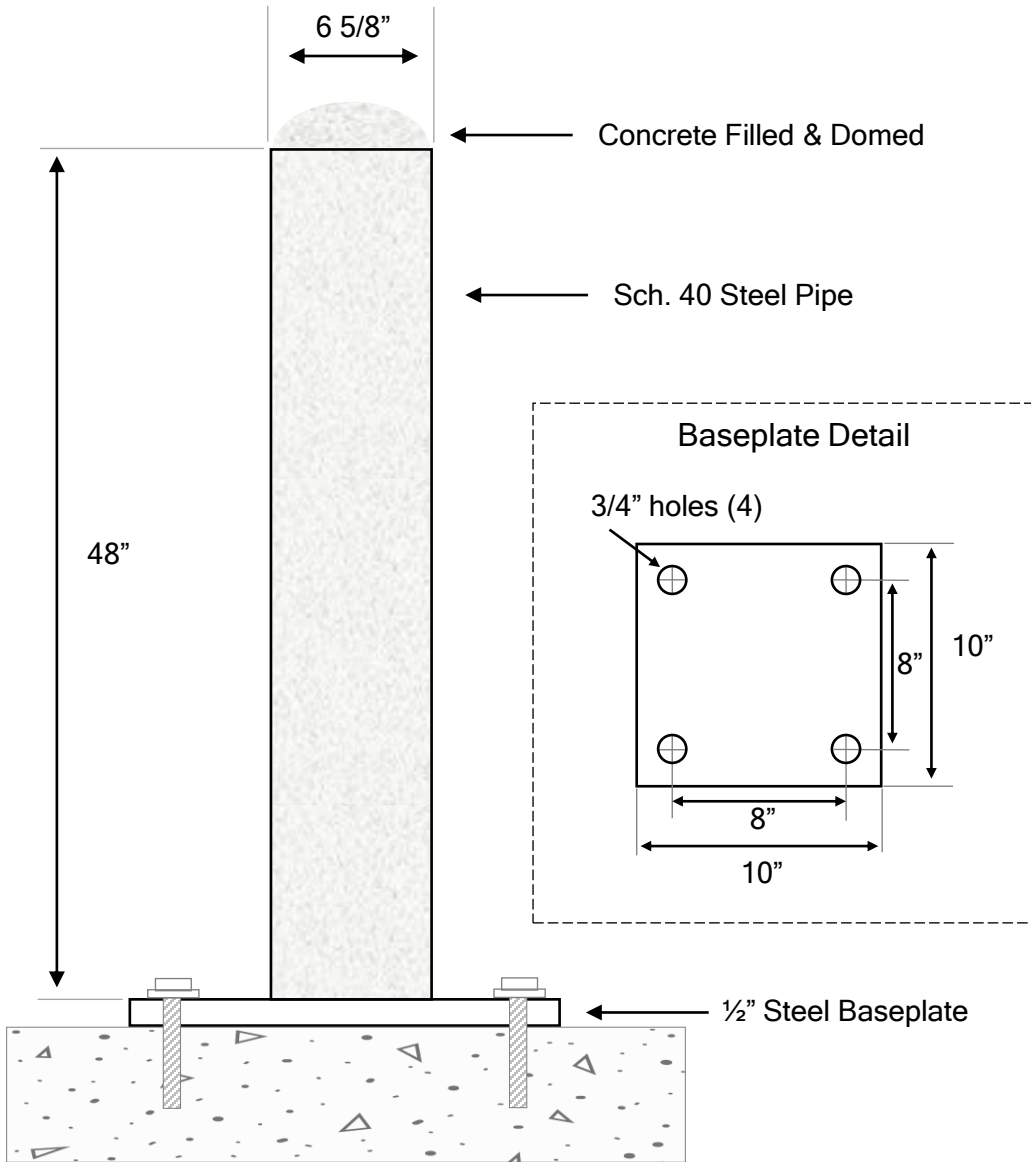
Surface Mounted

Item Number: SMB6x36CON(PP)

**not to scale*

6" Bolt - Down Bollard, 48" Height, Concrete Fill

Made In The USA



Material:

- Sch 40 Carbon Steel Pipe*
- MTR Required
- Domestic Required

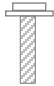
Finish:

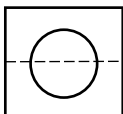
- Prime*
- Paint*
- Hot Galvanize
- Cold Galvanize
- Powder Coat
- Epoxy Coat

Options:

- Dome Steel Cap*
- Dome Concrete Mount Steel Cap
- Flat Cap
- Flat Concrete Mount Steel Cap
- Concrete Fill
- Chain Loops

** Standard unless otherwise specified.*

 *Recommended Anchor:
Concrete with 5/8"x6"
Wedge Anchor Bolts*



Bolt - Down Bollard

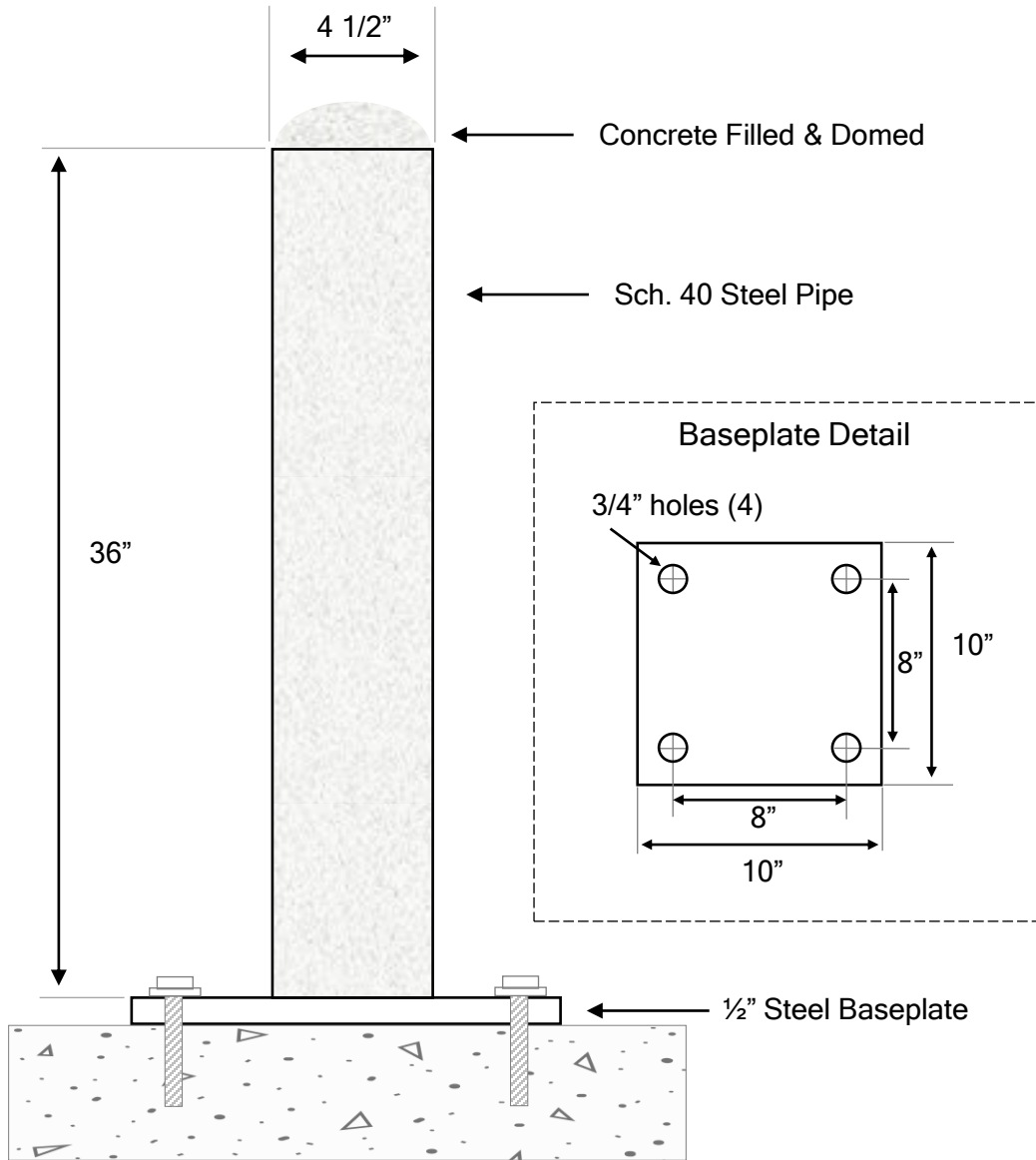
Surface Mounted

Item Number: SMB6x48CON(PP)

**not to scale*

4" Bolt - Down Bollard, 36" Height, Concrete Fill

Made In The USA



Material:

- Sch 40 Carbon Steel Pipe*
- MTR Required
- Domestic Required

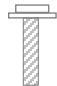
Finish:

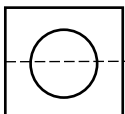
- Prime*
- Paint*
- Hot Galvanize
- Cold Galvanize
- Powder Coat
- Epoxy Coat

Options:

- Dome Steel Cap*
- Dome Concrete Mount Steel Cap
- Flat Cap
- Flat Concrete Mount Steel Cap
- Concrete Fill
- Chain Loops

** Standard unless otherwise specified.*

 *Recommended Anchor: Concrete with 5/8"x6" Wedge Anchor Bolts*



Bolt - Down Bollard

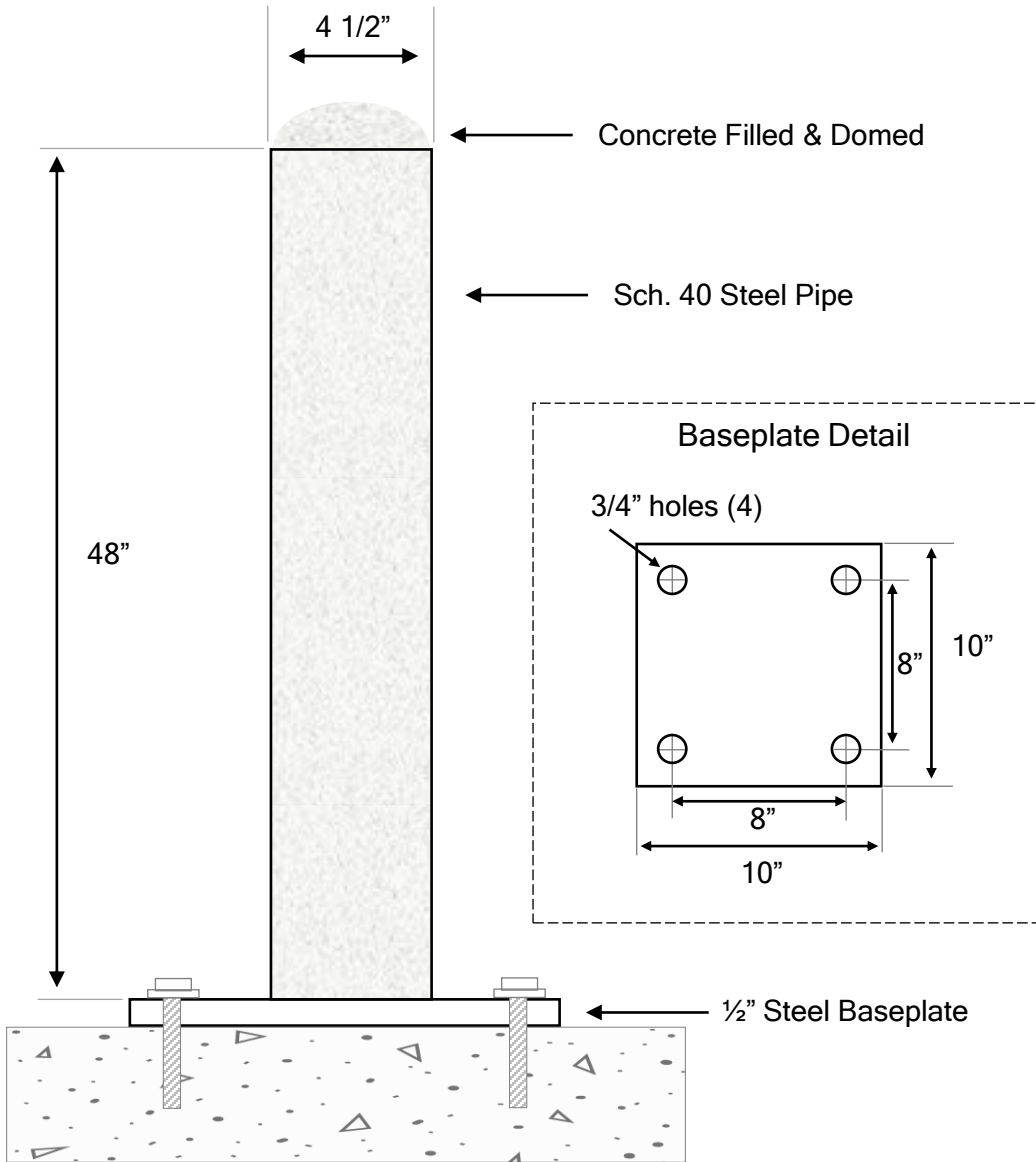
Surface Mounted

Item Number: SMB4x36CON(PP)

**not to scale*

4" Bolt - Down Bollard, 48" Height, Concrete Fill

Made In The USA



Material:

- Sch 40 Carbon Steel Pipe*
- MTR Required
- Domestic Required

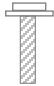
Finish:

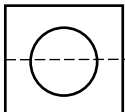
- Prime*
- Paint*
- Hot Galvanize
- Cold Galvanize
- Powder Coat
- Epoxy Coat

Options:

- Dome Steel Cap*
- Dome Concrete Mount Steel Cap
- Flat Cap
- Flat Concrete Mount Steel Cap
- Concrete Fill
- Chain Loops

* Standard unless otherwise specified.

 Recommended Anchor:
Concrete with 5/8"x6"
Wedge Anchor Bolts



Bolt - Down Bollard

Surface Mounted

Item Number: SMB4x48CON(PP)

**not to scale*