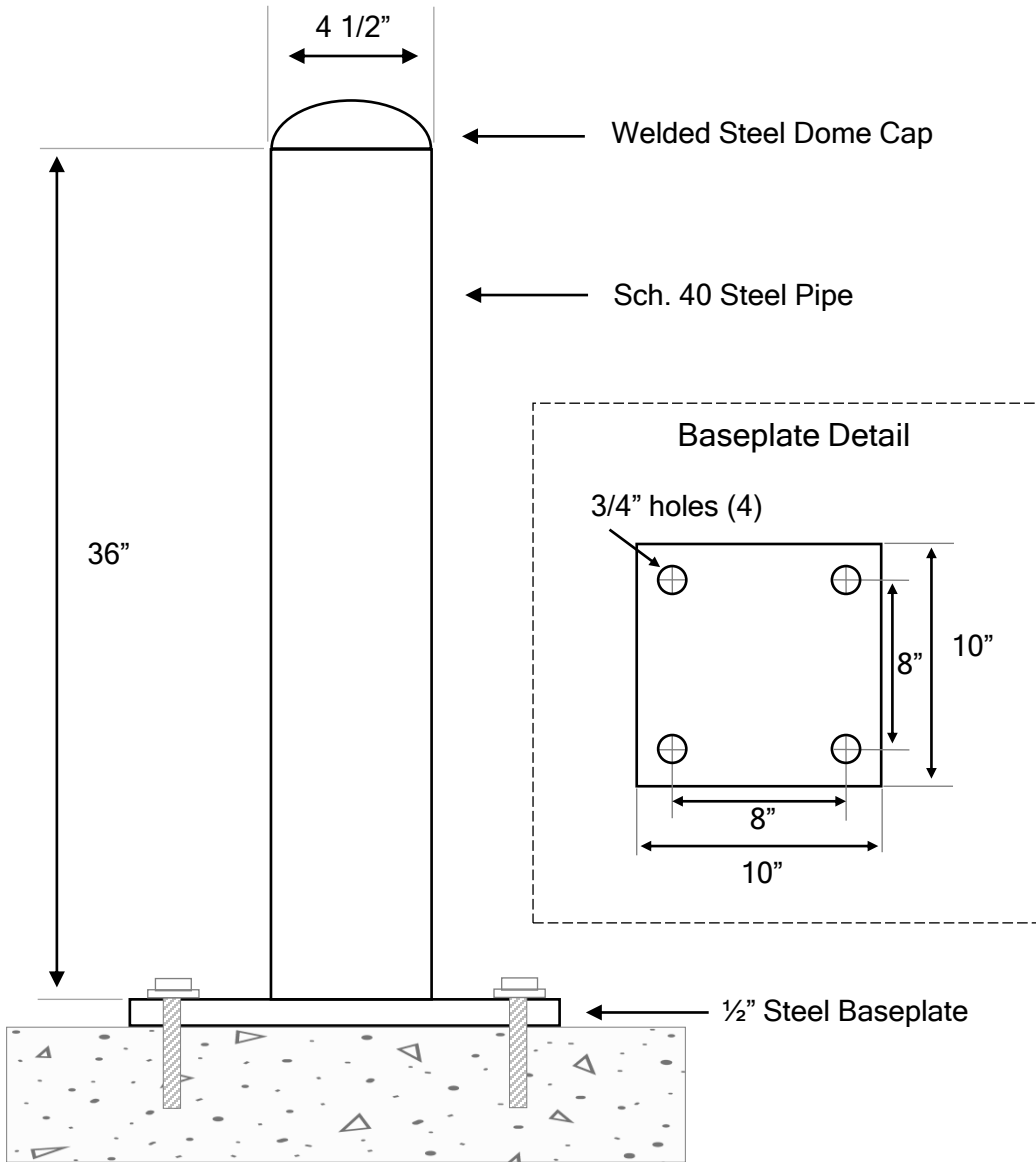


4" Bolt - Down Bollard, 36" Height

Made In The USA



Material:

- Sch 40 Carbon Steel Pipe*
- MTR Required
- Domestic Required

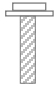
Finish:

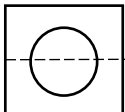
- Prime*
- Paint*
- Hot Galvanize
- Cold Galvanize
- Powder Coat
- Epoxy Coat

Options:

- Dome Steel Cap*
- Dome Concrete Mount Steel Cap
- Flat Cap
- Flat Concrete Mount Steel Cap
- Concrete Fill
- Chain Loops

** Standard unless otherwise specified.*

 *Recommended Anchor: Concrete with 5/8"x6" Wedge Anchor Bolts*



Bolt - Down Bollard

Surface Mounted

Item Number: SMB4x36(PP)

**not to scale*