

CORE TOOLBOXES



UNLIMITED POSSIBILITIES



INTRODUCING CORE TOOLBOXES

Core toolboxes are the world's most versatile toolbox system. The main «Core» item of this line is the 44" toolbox. What makes this toolbox special is its ability to expand as your needs expand. Core can be as simple as one main box or as big as you want.



DESIGN YOUR TOOLBOX

FROM A VARIETY OF COLOR CHOICES!

FACADES AND DOORS

Standard

Standard colors are in stock and usually ship within 72 hours.



Black

Red

Gray

Made to order

Made to order colors are painted for your order and have a longer lead time.



Pure white

Zinc yellow

Bright red orange

Pure green



Window gray

Sky blue

Signal blue

HANDLES, BUMPERS AND CONNECTORS

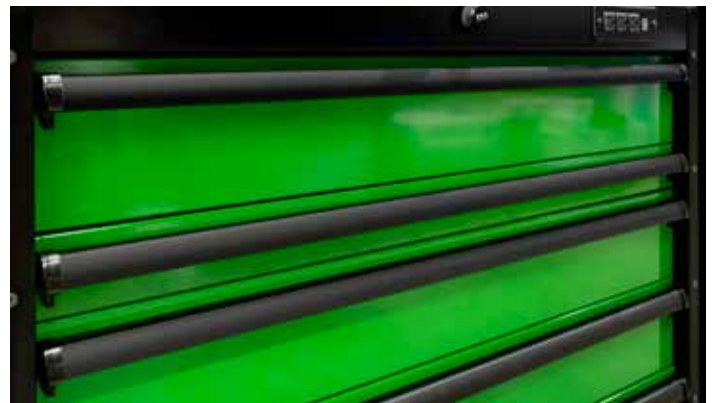
Choose between black or silver handles.

Bumpers and connectors will match your choice.



Black anodized aluminum

Silver anodized aluminum



CHOOSE YOUR MODULES

Our innovative and modular system gives you the freedom to create the perfect configuration, whether you're starting small or going big. Unlike other toolboxes that restrict you to fixed pieces, our design allows you to seamlessly add modules as needed.



44" Main Toolbox



44" Top Toolbox



22" Side Locker



22" Side Drawers



22" Tall Side Locker



22" Tall Side Drawers

CHOOSE YOUR DRAWERS

Whether you require numerous small drawers to organize your smaller tools, larger drawers for heavy-duty equipment, or a unique combination that suits your specific needs, the choice is yours. Our goal is to empower you to create a toolbox that matches your workflow and maximizes efficiency.



CHOOSE YOUR WHEELS

Core comes with two choices for your wheels; a levelling foot caster for more stability, or a traditional 5-inch caster.



CHOOSE YOUR WORK SURFACE

By default, your toolbox includes a rubber mat. You can upgrade to either a Canadian maple or stainless steel counter top.



DESIGN

WHAT'S BEST FOR YOU!

Design your toolbox for the most convenient storage. With the freedom to choose what you want, where you want it don't settle for anything less than perfection.



WHY CHOOSE CORE?

BEST SLIDES

Industrial strength Austrian made roller bearing slides, supporting up to 400 lb.



PRECISION

Our robotic welding technology ensures that every toolbox is not only perfectly square but also boasts high-quality automotive-grade welds, meaning everything stays tightly together.



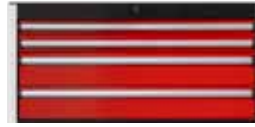
MADE HERE

Our toolboxes are meticulously crafted in a state-of-the-art facility in Canada and assembled in the US.

LIFETIME WARRANTY

All CORE products come with a limited lifetime warranty.





44" modules

	Base Drawer Cabinet Shell	Top Drawer Cabinet Shell
Metal gauge	18	18
Cabinet size (WxHxD)	44 x 36 ^{1/4} x 22 in.	44 x 22 x 22
Load capacity	4000 lb	2000 lb
Maximum drawer quantity	8 drawers	6 drawers
Maximum drawer capacity	400 lb	400 lb
Interior single drawer size (WxHxD)	39 ^{3/8} x 19 ^{11/16} x 2 ^{1/8} in.	39 ^{3/8} x 19 ^{11/16} x 2 ^{1/8} in.
Interior double drawer size (WxHxD)	39 ^{3/8} x 19 ^{11/16} x 5 ^{1/16} in.	39 ^{3/8} x 19 ^{11/16} x 5 ^{1/16} in.
Interior triple drawer size (WxHxD)	39 ^{3/8} x 19 ^{11/16} x 7 ^{15/16} in.	39 ^{3/8} x 19 ^{11/16} x 7 ^{15/16} in.
Interior bottom drawer size (WxHxD)	39 ^{3/8} x 19 ^{11/16} x 10 ^{3/8} in.	39 ^{3/8} x 19 ^{11/16} x 10 ^{3/8} in.

22" modules

Metal gauge	18
Cabinet size (WxHxD)	44 x 22 x 22
Load capacity	2000 lb
Maximum drawer quantity	6 drawers
Maximum drawer capacity	400 lb
Interior single drawer size (WxHxD)	39 ^{3/8} x 19 ^{11/16} x 2 ^{1/8} in.
Interior double drawer size (WxHxD)	39 ^{3/8} x 19 ^{11/16} x 5 ^{1/16} in.
Interior triple drawer size (WxHxD)	39 ^{3/8} x 19 ^{11/16} x 7 ^{15/16} in.
Interior bottom drawer size (WxHxD)	39 ^{3/8} x 19 ^{11/16} x 10 ^{3/8} in.

WORK surfaces



	Stainless steel	Wood	Mat
Metal gauge	16	—	If you do not choose a work surface you will receive a free rubber mat per applicable module.
Size (WxHxD)	22/44/66/ x 0.5 x 22 in.	22/44/66/x 0.5 x 22 in.	
Weight capacity	500 lb	500 lb	
Color	Stainless	Black	



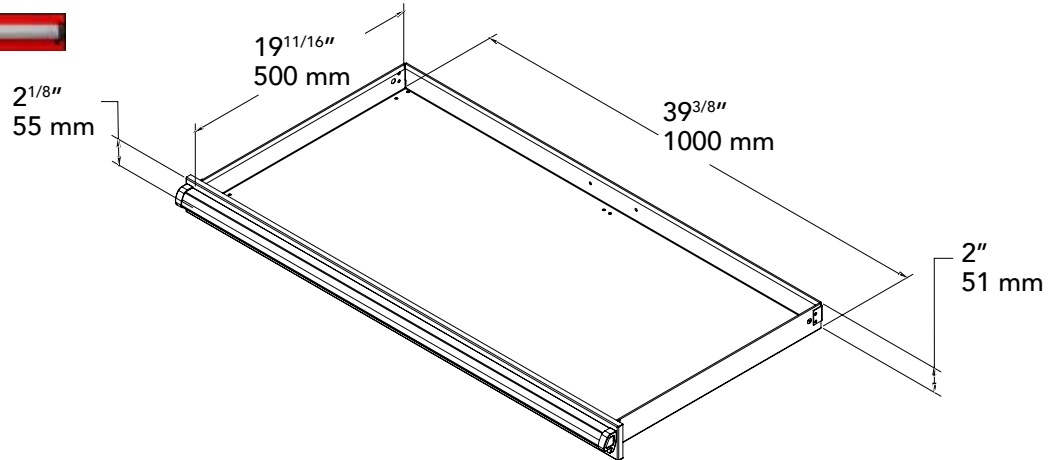
	Base Drawer Cabinet Shell	Base Locker Shell	Tall Drawer Cabinet Shell	Tall Locker Shell
	16	16	16	16
	22 x 36 ^{1/4} x 22	22 x 36 ^{1/4} x 22	22 x 58 ^{1/4} x 22	22 x 58 ^{1/4} x 22
	2000 lb	2000 lb	2000 lb	2000 lb
	8 drawers	—	14 drawers	—
	400 lb	400 lb	400 lb	400 lb
	17 ^{3/8} x 19 ^{11/16} x 2 ^{1/8} in.	—	17 ^{3/8} x 19 ^{11/16} x 2 ^{1/8} in.	x
	17 ^{3/8} x 19 ^{11/16} x 5 ^{1/8} in.	—	17 ^{3/8} x 19 ^{11/16} x 5 ^{1/8} in.	—
	17 ^{3/8} x 19 ^{11/16} x 8 ^{1/16} in.	—	17 ^{3/8} x 19 ^{11/16} x 8 ^{1/16} in.	—
	17 ^{3/8} x 19 ^{11/16} x 10 ^{3/8} in.	—	17 ^{3/8} x 19 ^{11/16} x 10 ^{3/8} in.	—



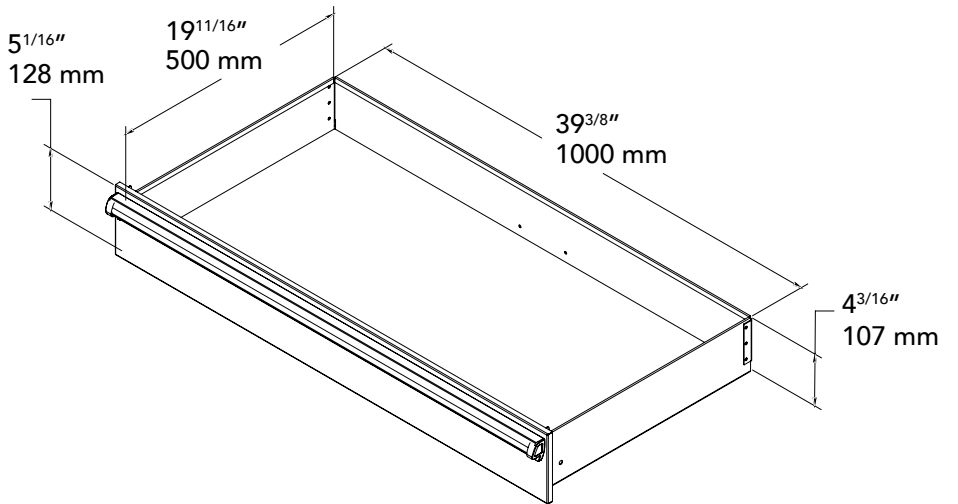
WHEELS choice

	Foot caster	5 in. heavy-duty caster
	Designed for stationary use, our foot caster seamlessly locks the toolbox in place while also functioning as a leveling foot.	Enhance the mobility of your toolbox with our 5-inch heavy-duty caster, engineered to effortlessly navigate various surfaces and provide smooth transportation.

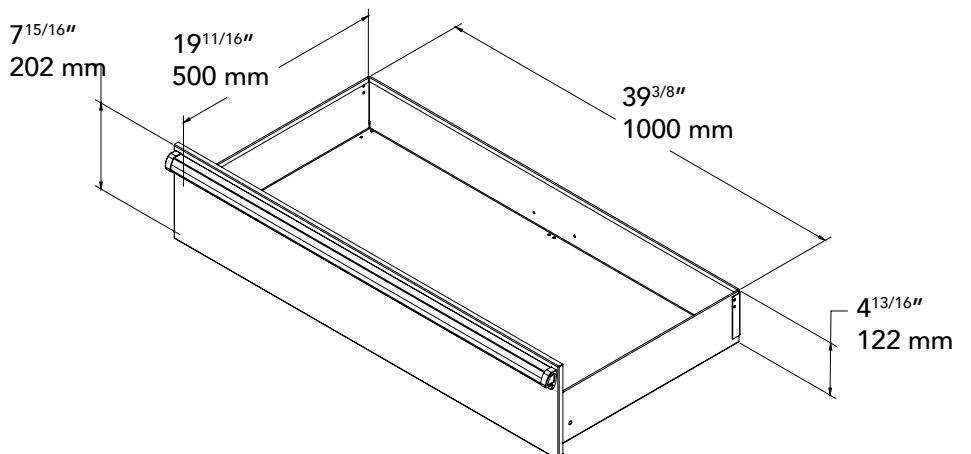
WIDE Single drawers



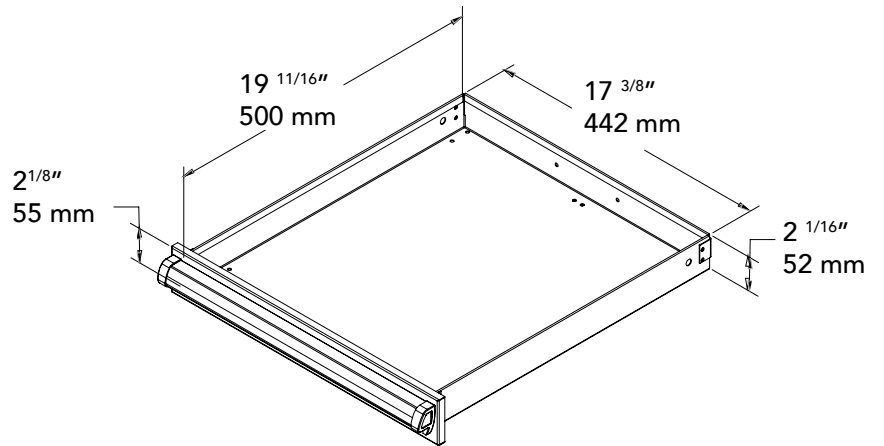
WIDE Double drawers



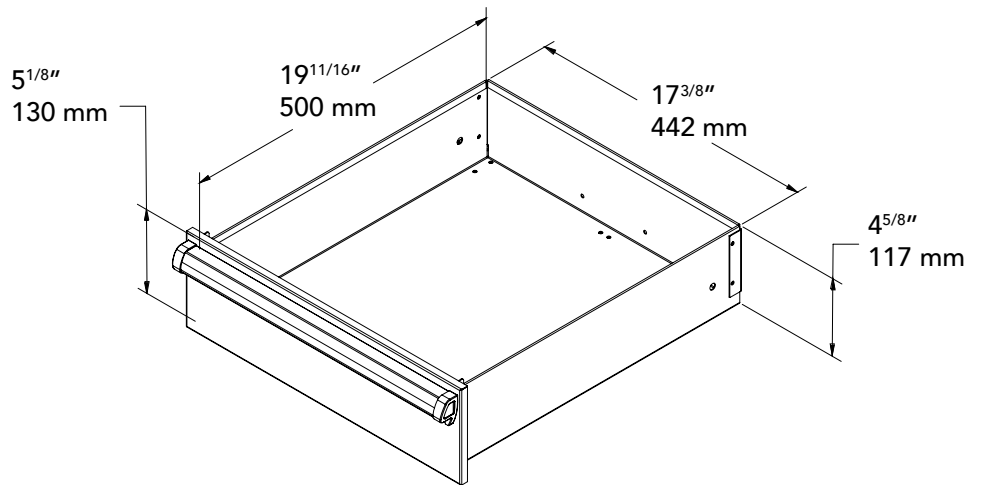
WIDE Triple drawers



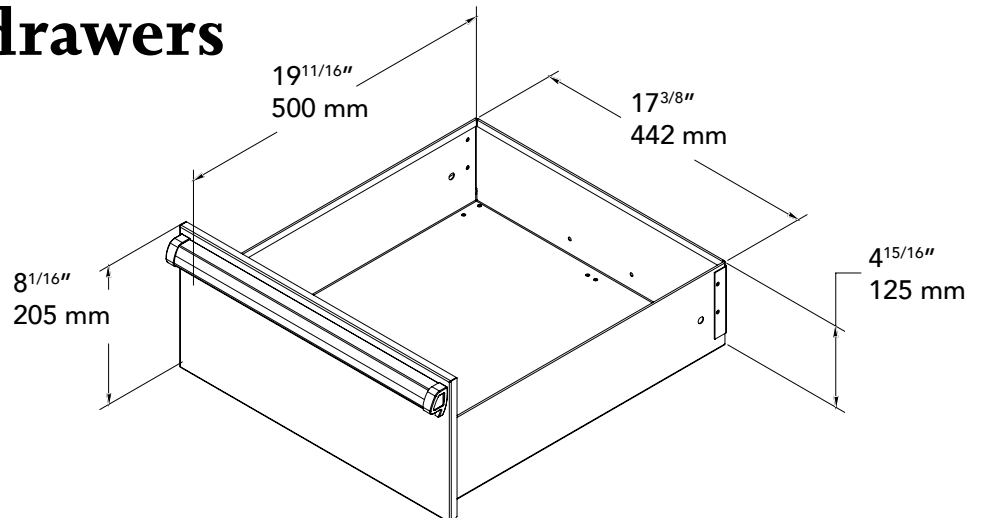
NARROW Single drawers



NARROW Double drawers



NARROW Triple drawers



CORE TOOLBOXES

