

# PROSLAT



**PRORACK**  
STORAGE SYSTEM

# PRORACK

STORAGE SYSTEM



## Heavy duty wall storage system

This all-in-one organizational system is designed to provide maximum storage without loss of floor space. ProRack's patented design features shelf storage for bulky items on top and plenty of space to hang bikes, golf clubs and other gear below.

- ▼ The modular ProRack system allows you to add more ProRacks even once your first rack is installed.
- ▼ Easy to install directly to your wall
- ▼ Assembled dimensions: 48 x 28 x 28 in (W x H x D)
- ▼ Includes 6 S hooks.
- ▼ Supports up to 800 lb\*

\* Supports 800 lb when bolted to studs. Total weight capacity for 4 foot section is 800 lb including any options and all accessories.



## Multi-configuration

ProRacks can also be assembled with the shelf at the bottom of support bars. Great for above windows and doors.



# PRORACK

STORAGE SYSTEM



**PROSLAT**  
Lifetime  
Warranty

▶ **Add more ProRacks as needed**

Patented modular system allows you to easily add more ProRacks once your first rack is installed.



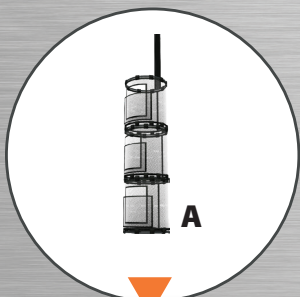
**2 ProRacks (8 ft/2.44 m)**



**3 ProRacks (12 ft/3.66 m)**

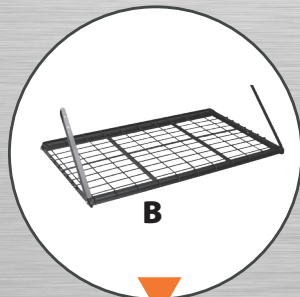
# PRORACK ACCESSORIES

Turn your ProRack into a complete organization system with the following accessories:



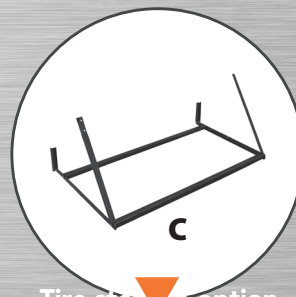
**Ball organizer**

Simply clip your basket onto the side of your ProRack for easy accessibility and visibility of all your sports gear in one neat location. Supports 30 lb.



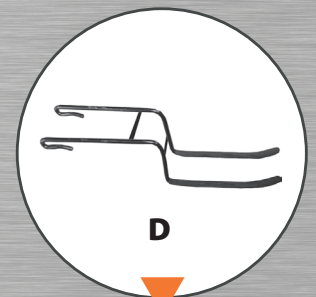
**Shelf**

Double your shelf space and still have the possibility to hang items below your existing ProRack. Shelf supports 300 lb.



**Tire storage**

Installs below your existing ProRack; fits 4 tires up to 11.5 in. wide, 30 in. diameter.








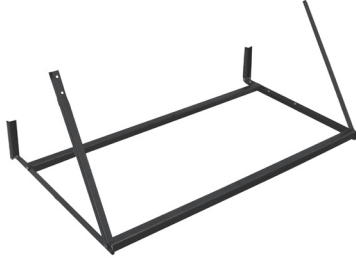
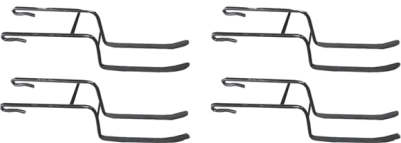


**Double hook**

These handy 6 in. double hooks are ideal for hanging storage on the sides of your ProRack(s). Supports 30 lb.



## ▶ Tire rack

If you are looking for a simple tire storage solution, our wall mounted tire rack supports up to 4 tires, 11.5 in. wide, max 400 lb.

<p><b>60001 – PRORACK</b> 4 ft x 28 in x 28 in</p>	<p><b>60008K – PRORACK</b> 8 ft x 28 in x 28 in</p>	<p><b>60012K – PRORACK</b> 12 ft x 28 in x 28 in</p>
		
<p><b>63023 – BALL ORGANIZER</b> 12 x 49 x 12 in (W x H x D)</p>	<p><b>63020 – OPTIONAL SHELF*</b> 4 ft x 28 in</p>	<p><b>63021 – TIRE STORAGE*</b> 4 ft x 28 in</p>
	 <p>* Requires ProRack purchase to install</p>	 <p>* Requires ProRack purchase to install</p>
<p><b>63024 – PRORACK SIDE HOOKS*</b> 4 pack</p>	<p><b>63022 – PRORACK S HOOKS*</b> 4 pack</p>	<p><b>10026 – TIRE RACK</b> 4 ft x 28 in x 28 in</p>
 <p>* Requires ProRack purchase to install</p>	 <p>* Requires ProRack purchase to install</p>	

# PROSLAT



**PRO RACK**  
STORAGE SYSTEM