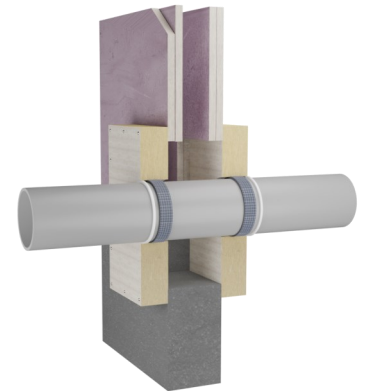
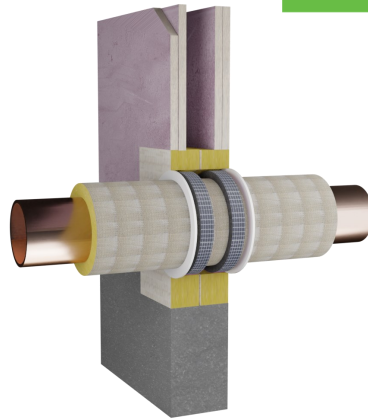


PipeBloc® EL

Fire Resistance Pipe Wrap on a Roll



General description

PipeBloc EL is a fire resistant wrap on a roll consisting of 25m of self adhesive intumescent for interior penetration sealing applications. PipeBloc EL is designed to provide a high volume expansion and pressure seal during a fire to combustible pipes that pass through floor and wall service openings. PipeBloc EL is useful when the pipe diameter is unknown.

Packaging

- 25m PipeBloc EL roll in each box

Application and use

- To reinstate fire resistance through walls and floors where combustible services penetrate the substrate
- Used in conjunction with FSi products such as Stopseal Batt, Silverseal Compound and Pyrocoustic Sealant

Product Details	
Material	Self-adhesive intumescent
Weight	~ 2.5kg
Finish / Colour	Black-grey
PipeBloc EL Width	40mm
Chemical properties/ COSHH statement	This product is an article as defined in article 3 of regulation (EC) No 1907/2006 (REACH). It contains no substances which are intended to be released from the article under normal or reasonably foreseeable conditions of use. A safety data sheet following article 31 of the same regulation is not needed to bring the product to the market, to transport or to use it. For safe use follow the instructions given in this product data sheet. Based on our current knowledge, this product does not contain SVHC (substances of very high concern) as listed in Annex XIV of the REACH regulation or on the candidate list published by the European Chemicals Agency in concentrations above 0.1 % (w/w
Size/dimensions (product & installation spacial requirement)	For penetrations seals, opening size and penetration service covered as per requirements of UL-EU-01023-CPR
Shelf life	10 years from date of production
Working life	10 Years ETA-20/1007
Durability	Type X: Intended for use in conditions exposed to weathering.

Technical Data Sheet

Product Certification / Approvals

Approval	Reference number
ETA	ETA-20-1007
CE Mark	2531-CPR-CX010250
UL-EU	UL-EU-01023-CPR
UAE CoC	ENCG.R38118
UKCA	0843-CPR-1152

Testing / Classification

Standard	Description	Result
BS EN 1366-3:2009 BS EN 1366-3:2021	Fire resistance tests for service installations. Penetration seals	See UL-EU-01023-CPR for fire resistance performance
ASTM E84	Standard Test Method for Surface Burning Characteristics of Building Materials	Contact technical.fsi.uk@etexgroup.com for details
BS EN 13501-2:2016	Fire classification of construction products and building elements	See UL-EU-01023-CPR for fire resistance performance

Technical Data Sheet

Installation & Operation

FSi Ltd. recommend installation of FSi Ltd. products is carried out by 3rd party certified installers.

Adequate space and accessibility should be provided for cutting and shaping the batts, applying and tooling the sealant.

Simple tools and equipment may be required, depending on your aperture:

- Tape measure
- Cartridge gun
- Marker or pencil
- Straight edge
- Masking tape
- All purpose saw
- Pad saw
- Pallet knife or pointing trowel
- Drill or screw driver

Clean substrate and service ensuring they are clean, dry, sound and homogeneous, free from oils, grease, dust and loose particles. The product does not require a primer on most common surfaces.

For larger openings, the aperture will need to be filled with Stopseal Batt at the same time as PipeBloc EL is installed. See TDS001 for installation and UL-EU-01023-CPR for tested systems.

For smaller openings / annular space apply Pyrocoustic Sealant at 5mm depth after wrap is installed. Use pointing tool to smooth off.

Peel of self adhesive strip. Start to wrap Pipebloc EL around the service ensuring enough layers in line with scope of test data, use self-adhesive to secure. Push into aperture or in line with aperture.

Apply the second Pipebloc EL to the other side of the wall. Floor systems require Pipebloc EL from both sides of floor and can be fitted centrally but ensure correct layers are applied as the two systems differ in layers.

Clean all tools and application equipment with water immediately after use.

Competence records should be kept for all Individuals installing this product (s). Installations should be suitably recorded and logged.

Maintenance

Recorded inspection should be conducted in line with the maintenance and inspection schedule defined for the building/project.

These inspections should be completed and recorded by suitably competent individuals at intervals outlined in the operation and maintenance manual relevant to the building.

Ensure Safe Access and Egress when carrying out maintenance or inspection.

Where product (s) is damaged or tampered, new product should be installed in line with installation guidance.

Handling & Storage

Store in a well-ventilated, dry, cool environment. Recommended temp ranges +5°C - +35°C, however can be -20°C min. / +70°C max. Protect against exposure to direct sunlight. Always ensure that safe manual handling procedures are followed at all times.

For information and advice on the safe handling, storage and disposal of chemical products, please refer to the most recent Safety Data Sheet (SDS) available at www.promat.com/en-gb

Technical Data Sheet

Disposal

The PipeBloc EL is considered a complex article. Therefore, considerations on disposal should be made per component.

Intumescent materials:

The intumescent material used within the PipeBloc EL system is not classified as hazardous, it is, however, non-recyclable.

European Waste Catalogue code: **17 09 04**

(CONSTRUCTION AND DEMOLITION WASTES (INCLUDING EXCAVATED SOIL FROM CONTAMINATED SITES); other construction and demolition wastes; mixed construction and demolition wastes other than those mentioned in 17 09 01, 17 09 02 and 17 09 03.)

Disposal of waste intumescent material must be done according to official regulations and in accordance with a licensed collector's sorting instructions.

You must classify your own waste, the information given above is guidance only. Waste must be classified on a case-by-case basis.

Legal Notes

FSi Ltd. products are manufactured to rigid standards of quality. Any product which has been applied in accordance with FSi Ltd.'s written instructions and in any application recommended by FSi Ltd., but which is proved to be defective in product quality, will be replaced free of charge. No liability can be accepted for the information provided in this document although it is published in good faith and believed to be correct at time of issue. Any drawings provided are for illustrative purposes only. FSi Ltd. reserves the right to alter product specifications without prior notice, in line with our Company policy of continuous development and improvement. Changes due to new findings are possible, errors and misprints are not excluded. No liability whatsoever will be accepted for any loss, damage or injury arising from the use of the information given. FSi Ltd. have no control over the methods of installation, competence of operatives or suitability of site conditions, no warranties, expressed or implied, are intended to be given as to the actual performance of the product/system mentioned within this document.

SKU CODES

Item Code	Description	Size	Box Qty
PWPELFP	PipeBloc® EL	25m x 40mm x 1.8mm	1

FSi Limited

Westminster Industrial Estate
 Tamworth Road
 Measham
 DE12 7DS
 Tel: +44 (0)1530 515130
 Email: technical.fsi.uk@etexgroup.com
 Web: www.promat.com/en-gb