

# CERTIFICATE OF CONFORMITY

Issue: **01**Certificate number: **ESL-24-11693**

Pursuant to provisions of the Certification scheme on Global Conformity Certification of fire and life safety products (CS-GCC, scheme type 5), Emirates Safety Laboratory hereby grants this certificate of conformity to the product described below:

## Firebreather® 'Open-State' Cavity Barrier

Placed on the market under the name or trade mark of:

**SECURO AS**  
**Industrivegen 10,**  
**7652 Verdal, Norway**


Manufactured in the following location(s):

**SECURO AS**  
**Industrivegen 10,**  
**7652 Verdal, Norway**

Complies with the requirements of the standard(s) as detailed below:

**ASFP Technical Guidance Document – TGD 19 (Nov 2017) Fire Resistance Test for 'Open-State' Cavity Barriers used in the external envelope of fabric of buildings**

The certificate was first issued on **27 September 2024** and remains valid under the condition that the Certificate Holder fulfils the requirements of the agreement on certification supervision no. **0287/SA/24**.



Tomasz Kielbasa  
Certification Manager

27 September 2024  
Date of issue

26 September 2027  
Expiry date

This Certificate remains valid till date stated above, unless suspended, withdrawn or terminated. This certificate will not be valid if the manufacturer makes any changes affecting product conformity, which have not been notified to, and agreed in writing with ESL. This Certificate is an electronic document and shall not be reproduced (in any form) except in full. Certificate holder is under an obligation to make references to issued certificate only in conjunction with product(s) that conform to evaluated product construction. Prior to use of this certificate, please verify its validity at ESL directory

## Appendix to Certificate of Conformity

No: **ESL-24-11693**

Issue: **01**

### CERTIFIED PRODUCT:

**Product / System Description:**

**Firebreather® ‘Open-State’ Cavity Barrier** is a fire-resistant tested ‘open-state’ cavity fire barrier specialized for ventilated facades and rainscreen cladding system application. It comprises stainless steel woven mesh and an intumescent strip ‘mass’ material. Firebreather® certified in this document comes in two different types, a 28 mm cavity barrier with single mass, and a 50 mm cavity barrier with single mass.

**Testing according to ASFP Technical Guidance Document – TGD 19:**

- ASFP TGD 19 is a test method specifies procedure for determining the fire resistance of ‘open state’ cavity barriers when subjected to the standard fire exposure conditions and performance criteria stipulated in EN 1363- 1.
- ASFP TGD 19 test method applies to non-loadbearing, horizontally oriented ‘open-state’ cavity barriers, which are used to provide fire separation within cavity voids such as those located between an external envelope and the face of a building or between the timber skin and outer brick leaf of a timber framed building. These cavity barriers are specifically designed to provide a separating function only. They may be insulating or non-insulating.
- Overall fire-resistance rating of Firebreather® ‘Open-State’ Cavity Barrier as tested to specific configuration:

Product Description	Air Cavity Gap Width (mm)	Horizontal-oriented “open-state” cavity barriers applicable in cavity voids with or without mineral wool insulation	Fire Resistance Rating ASFP TGD 19 (Nov 2017)
Firebreather® ‘Open-State’ Cavity Barrier – 28 mm with single mass	28 mm	<ul style="list-style-type: none"> <li>up to 100 mm thick, 50 kg/m<sup>3</sup> density – mineral wool with aluminium foil on one side (6.4.4.4 Block with uninterrupted insulation to non-combustible material)</li> </ul>	Integrity: 90 minutes Insulation: 45 minutes
		<ul style="list-style-type: none"> <li>no thermal insulation (6.4.2.1 Block to non-combustible material)</li> </ul>	Integrity: 120 minutes Insulation: 60 minutes
Firebreather® ‘Open-State’ Cavity Barrier – 50 mm with single mass	50 mm	<ul style="list-style-type: none"> <li>up to 100 mm thick, 50 kg/m<sup>3</sup> density – mineral wool with aluminium foil on one side (6.4.4.4 Block with uninterrupted insulation to non-combustible material)</li> </ul>	Integrity: 120 minutes Insulation: 45 minutes
		<ul style="list-style-type: none"> <li>no thermal insulation (6.4.2.1 Block to non-combustible material)</li> </ul>	Integrity: 120 minutes Insulation: 90 minutes

*Note: ASFP TGD 19 (Nov. 2017) Clause 13.3, item 1, states, “Test on insulation running behind the cavity will cover interrupted insulation”. Therefore, Firebreather® ‘Open-State’ Cavity Barrier material, may only be applicable for interrupted insulation with a thickness less than the cavity barrier sizes 28 mm or 50 mm, respectively.*




Tomasz Kielbasa  
Certification Manager

27 September 2024  
Date of issue

26 September 2027  
Expiry date

This Certificate remains valid till date stated above, unless suspended, withdrawn or terminated. This certificate will not be valid if the manufacturer makes any changes affecting product conformity, which have not been notified to, and agreed in writing with ESL. This Certificate is an electronic document and shall not be reproduced (in any form) except in full. Certificate holder is under an obligation to make references to issued certificate only in conjunction with product(s) that conform to evaluated product construction. Prior to use of this certificate, please verify its validity at ESL.directory

Emirates Safety Laboratory (ESL)  
240 Al Awir Road, Warsan 3, Mushraif, Dubai, United Arab Emirates  
T: +971 4 520 1800, E: ask@eslglobal.com



## Appendix to Certificate of Conformity

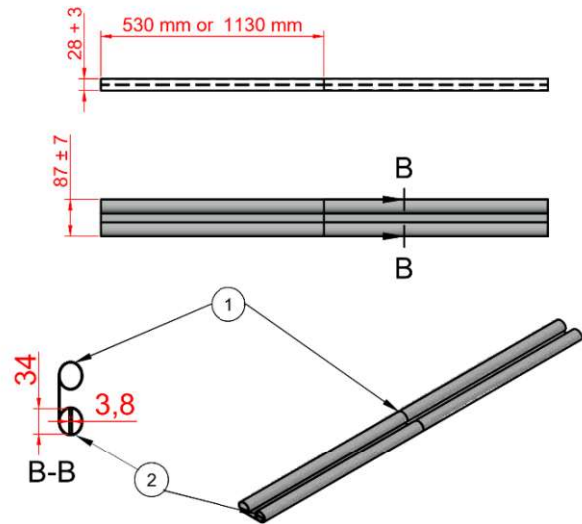
No: **ESL-24-11693**

Issue: **01**

### Details of Firebreather® 'Open-State' Cavity Barrier and Components:

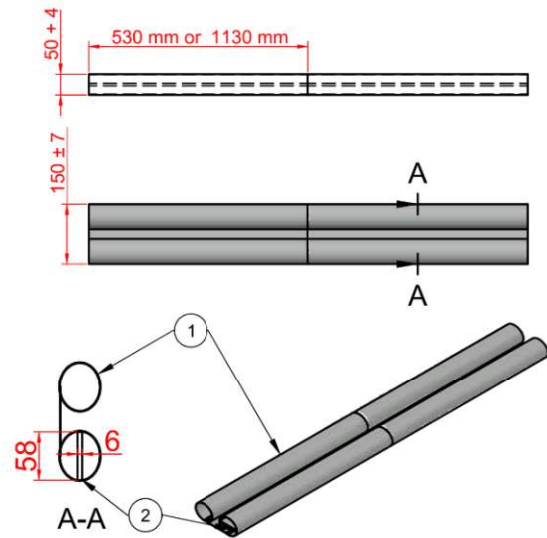
#### a. Firebreather® 'Open-State' Cavity Barrier Barrier - 28 mm with single mass

- Overall height: 87 ± 7 mm  
 Bottom roll height: 36 mm  
 Top roll height: 30 mm  
 Intumescent strip 'mass' (2):  
 34 x 3.8 mm (h x t), ref. KERAFIX® Flexplan 200 NG-A  
 by ROLFKUHNGBMH  
 Stainless steel woven mesh: 0.56 mm (t), AISI 304  
 Length: Applicable to 530 mm or 1130 mm  
 Fixing support (no insulation):
- 2 nos. Ø 4 x 50 mm screws for 530 mm
  - 5 nos. Ø 4 x 50 mm screws for 1130 mm
- Fixing support (with up to 100 mm insulation):
- 2 nos. Ø 8 x 170 mm steel façade fixing fastener for 530 mm
  - 5 nos. Ø 8 x 170 mm steel façade fixing fastener for 1130 mm



#### b. Firebreather® 'Open-State' Cavity Barrier Barrier - 50 mm with single mass

- Overall height: 150 ± 7 mm  
 Bottom roll height: 60.5 mm  
 Top roll height: 52 mm  
 Intumescent strip 'mass' (2):  
 58 x 6 mm (h x t), ref. KERAFIX® Flexplan 200 NG-A  
 by ROLFKUHNGBMH  
 Stainless steel woven mesh (1): 0.56 mm (t), AISI 304  
 Length: Applicable to 530 mm or 1130 mm  
 Fixing support (no insulation):
- 2 nos. Ø 4 x 50 mm screws for 530 mm
  - 5 nos. Ø 4 x 50 mm screws for 1130 mm
- Fixing support (with up to 100 mm insulation):
- 2 nos. Ø 8 x 170 mm steel façade fixing fastener for 530 mm
  - 5 nos. Ø 8 x 170 mm steel façade fixing fastener for 1130 mm



  
Signed for ESL

Tomasz Kielbasa  
Certification Manager

27 September 2024  
Date of issue

26 September 2027  
Expiry date

This Certificate remains valid till date stated above, unless suspended, withdrawn or terminated. This certificate will not be valid if the manufacturer makes any changes affecting product conformity, which have not been notified to, and agreed in writing with ESL. This Certificate is an electronic document and shall not be reproduced (in any form) except in full. Certificate holder is under an obligation to make references to issued certificate only in conjunction with product(s) that conform to evaluated product construction. Prior to use of this certificate, please verify its validity at ESL.directory

## Appendix to Certificate of Conformity

No: **ESL-24-11693**Issue: **01**

## Limitation of use:

1. This certification covers only the Firebreather® 'Open-State' Cavity Barrier - a 28 mm cavity barrier with single mass, and a 50 mm cavity barrier with single mass, intended for ventilated facades and rainscreen cladding systems application.
2. This certification to ASFP TGD 19 does not cover assembly tests on the façade system and the result of assessment alone does not represent performance in a façade system. To evaluate the performance of open-state cavity barriers within a specific façade system, a large-scale fire propagation test should be considered.
3. Other performances (e.g. resistance to water leakage, seismic, air permeability, etc.) are not addressed in this certificate.

Tomasz Kielbasa  
Certification Manager27 September 2024  
Date of issue26 September 2027  
Expiry date

This Certificate remains valid till date stated above, unless suspended, withdrawn or terminated. This certificate will not be valid if the manufacturer makes any changes affecting product conformity, which have not been notified to, and agreed in writing with ESL. This Certificate is an electronic document and shall not be reproduced (in any form) except in full. Certificate holder is under an obligation to make references to issued certificate only in conjunction with product(s) that conform to evaluated product construction. Prior to use of this certificate, please verify its validity at ESL.directory