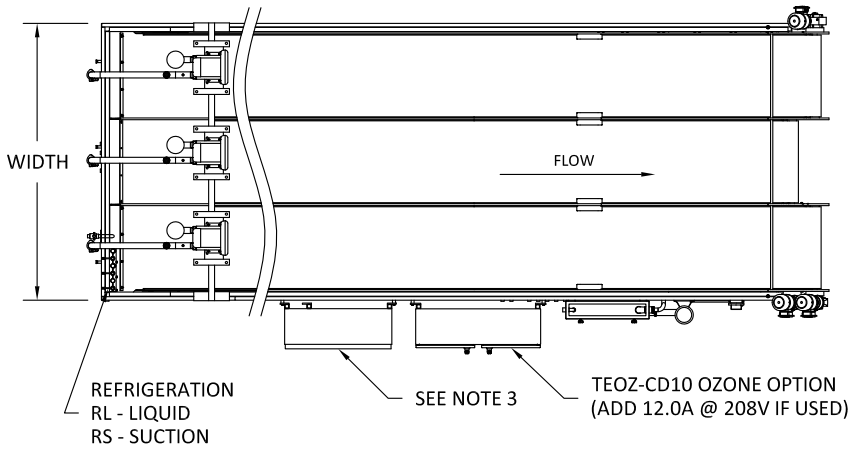
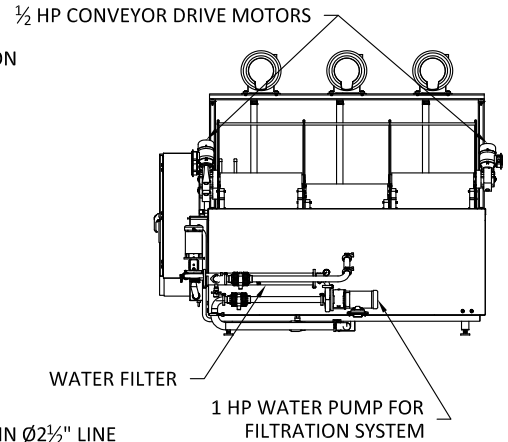
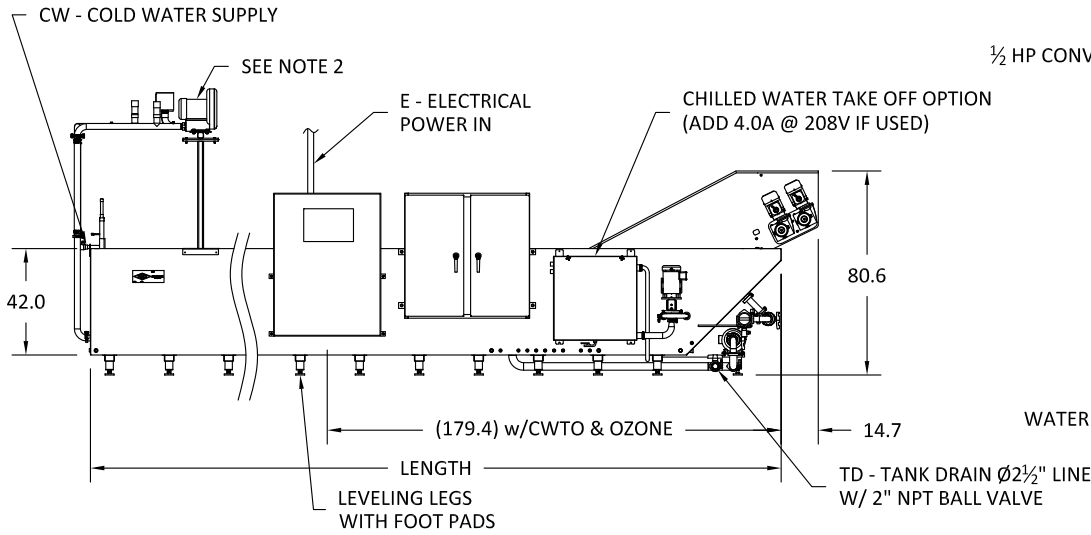


MODEL TELC LINEAR CHILLER



NOTES:

1. BLOWERS FOR AIR AGITATION CAN BE MOUNTED ABOVE THE CEILING ACOUSTICAL TILES TO REDUCE NOISE.
2. CONTROL PANEL LOCATION SHOWN WITH CWTO AND OZONE CABINET. CAN BE RELOCATED PER CUSTOMER REQUIREMENTS. ALLOW 36" MINIMUM CLEARANCE IN FRONT OF THE CONTROL PANEL.
3. CONTROL PANEL AND MOTORS ARE REMOVED FOR SHIPMENT AND RIGGING.
4. CONDENSER SIZES AND REFRIGERATION CIRCUIT QUANTITY ARE DEPENDANT ON PRODUCT, NUMBER OF LANES, LENGTH OF CHILLER, AND TYPE OF REFRIGERANT USED.
5. REFRIGERATION SUPPLY SIZES DEPENDANT ON CONDENSER SIZES AND CIRCUIT QUANTITY.



UTILITY CONNECTIONS

# LANES	COMP AIR 5 CFM @ 80 PSI CA	COLD WATER SUPPLY CW	TANK DRAIN TD	REFRIGERATION		ELECTRIC - 3 PH/60 Hz		
				LIQUID	SUCTION	208V	240V	480V
				RL	RS	E	E	E
1	N/A	1" NPT	2" NPT	7/8"	1 3/8"	20.0 FLA	17.4 FLA	8.7 FLA
2	1/4" QD	1" NPT	2" NPT	7/8"	1 3/8"	28.0 FLA	24.4 FLA	12.2 FLA
3	1/4" QD	1" NPT	2" NPT	7/8"	1 3/8"	33.3 FLA	29.0 FLA	14.5 FLA

OPTIONAL CWTO UTILITY CONNECTIONS

OPTIONAL CHILLED WATER TAKE-OFF				
SUPPLY IN	FROM KETTLES	TO KETTLES	OVERFLOW	DRAIN VALVE
SI	FK	TK	OF	DV
3/4" NPT	1 1/2" NPT	1 1/2" NPT	3/4" NPT	1/2" NPT

STANDARD PROCESSING CAPACITIES/REQUIREMENTS

CHILLER LENGTH	PRODUCT CAPACITY (GAL/LANE)	COLD WATER FILL (CW)	1 LANE (40" WIDE)				2 LANE (64.5" WIDE)			3 LANE (93" WIDE)		
			MAX BTUH @25°F	WEIGHT (LBS)		MAX BTUH @25°F	WEIGHT (LBS)		MAX BTUH @25°F	WEIGHT (LBS)		
				EMPTY	FULL		EMPTY	FULL		EMPTY	FULL	
12'	100	1"	112,000	1,800	7,600	200,000	2,800	11,930	255,000	3,800	17,640	
14'	150	1"	140,000	2,100	9,200	230,000	3,300	14,140	316,000	4,460	22,420	
16'	150	1"	168,000	2,400	10,500	276,000	3,800	16,160	379,000	5,100	25,620	
16' (TALL)	200	1"	---	---	---	420,000	5,300	21,100	---	---	---	
20'	200	1"	224,000	3,000	13,500	368,000	4,700	20,500	505,000	6,400	34,640	
24'	200	1 1/4"	280,000	3,600	16,500	450,000	5,600	24,900	632,000	7,700	41,440	
28'	300	1 1/4"	336,000	4,200	19,500	551,000	6,600	29,300	758,000	9,000	44,400	
32'	300	1 1/4"	392,000	4,800	22,500	643,000	7,500	33,700	885,000	10,200	55,040	
36'	400	1 1/4"	445,000	5,400	25,500	735,000	8,400	38,100	1,011,000	11,500	57,500	
40'	400	1 1/4"	504,000	6,000	28,500	830,000	9,400	42,500	1,137,000	12,800	68,640	