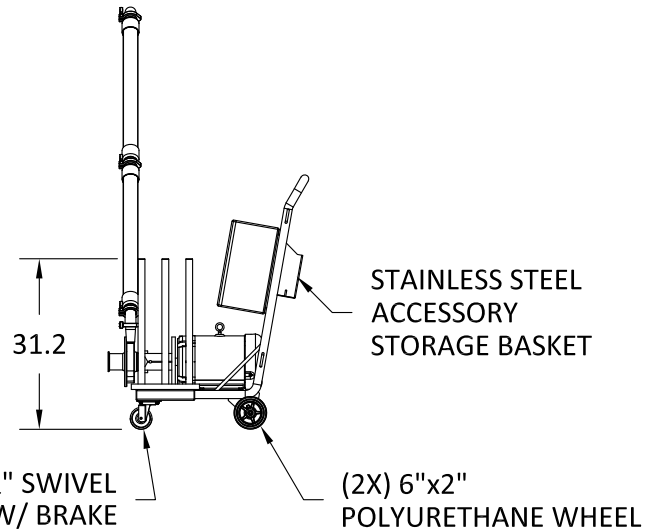
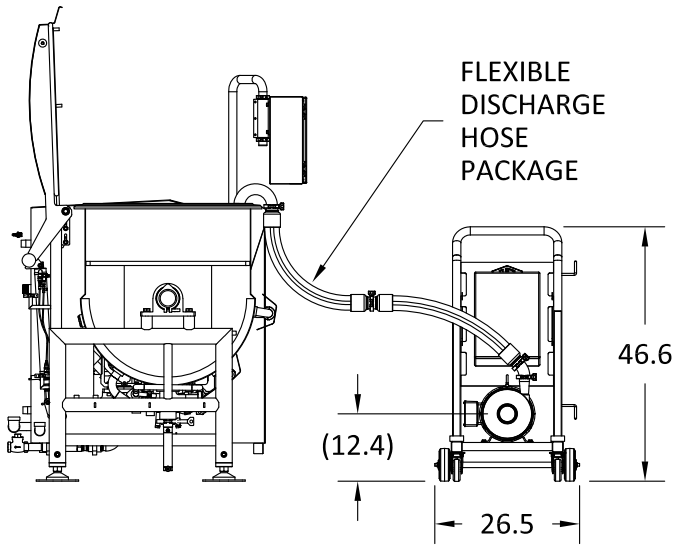
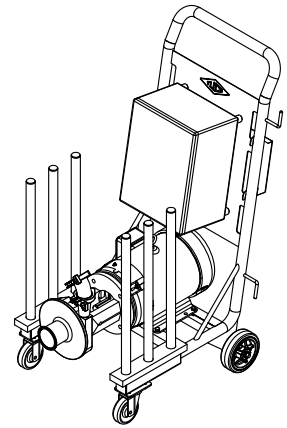
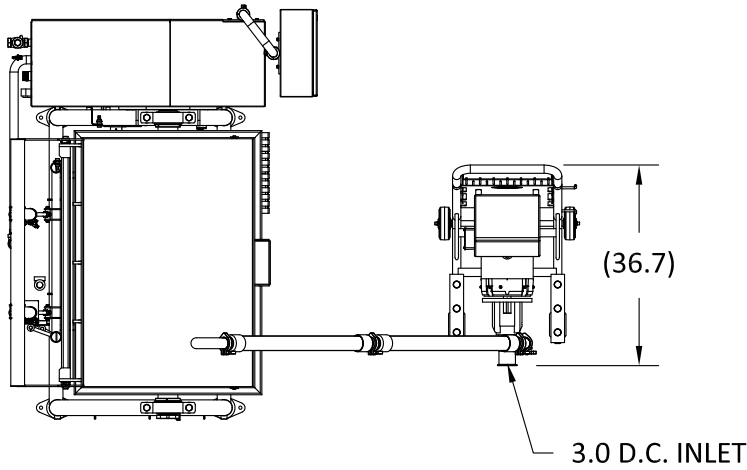
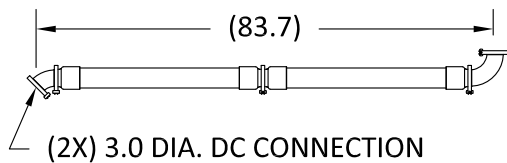


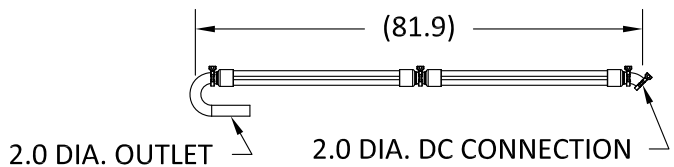
# MODEL TEE-8HP SHEAR-BLENDER-EMULSIFIER CART



3.0 DIA. FLEXIBLE INLET HOSE - TEITP



2.0 DIA. FLEXIBLE DISCHARGE HOSE



REQUIREMENTS						
MODEL #	HP	ELECTRICAL (60 HZ/3 PH)			PUMP INLET	PUMP DISCHARGE
		208V	230V	460V		
TEE-10HP	8	22.6A	19.6A	9.8A	3" D.C.	2" D.C.

**NOTES:**

1. INCLUDES: IP20, 3 POLE, 4 WIRE, TWISTLOCK PLUG AND MATCHING FEMALE RECEPTACLE, 20' CORD, Ø3.0" INLET HOSE PACKAGE, Ø3.0" BUTTERFLY VALVE, AND Ø2.0" DISCHARGE HOSE PACKAGE.
2. 208/230V STANDARD, 460V OPTION AVAILABLE.
3. MEDIUM CUTTING BLADES INCLUDED AS STANDARD. FINE CUTTING BLADES OPTION AVAILABLE.