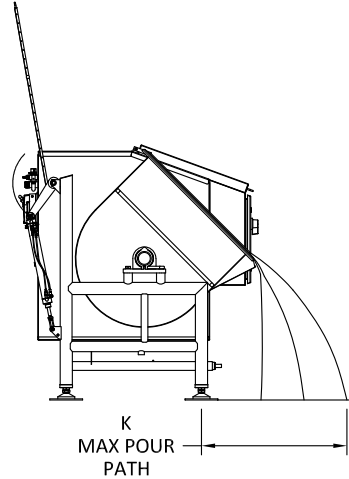
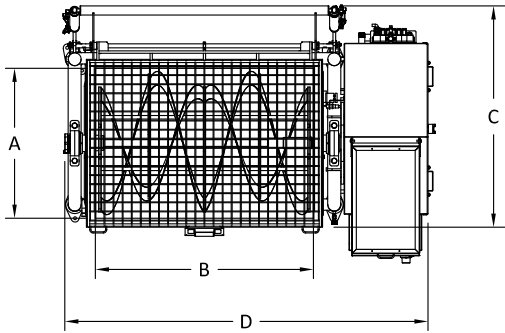
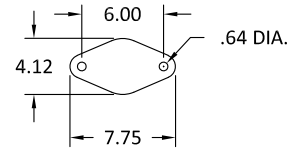
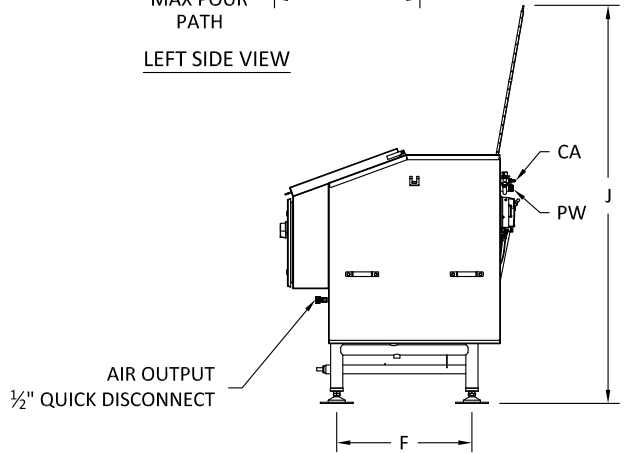
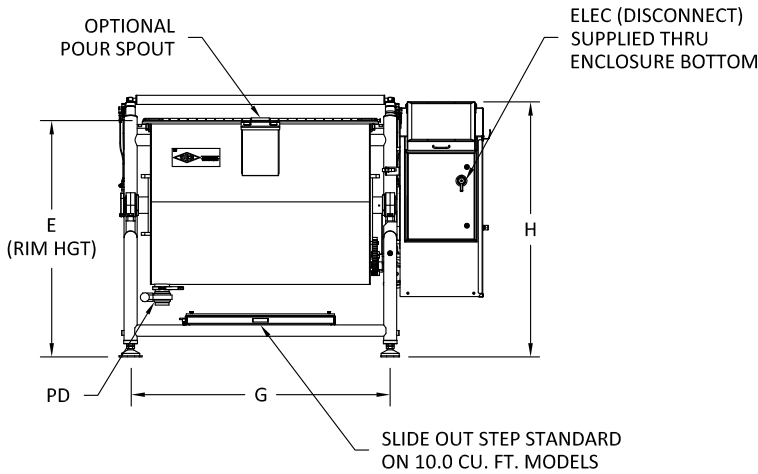


TUCS MODEL TECV-XXXT-X.XRB TILTING RIBBON BLENDER



LEFT SIDE VIEW



FOOT FLANGE DETAIL
(4X)

NOTES:

1. SHOWN WITH CONTROL ON RIGHT SIDE. LEFT SIDE AVAILABLE.
2. POTABLE WATER GPM DEPENDANT ON SIZE OF MAIN WATER LINE AND WATER LINE PRESSURE.
3. COMPRESSED AIR RATING SHOWN FOR KETTLE USE ONLY. INCREASED CFM REQUIRED FOR ADDITIONAL EQUIPMENT.
4. FLEXIBLE CONNECTOR HOSES (36"L) PROVIDED BY TUCS FOR CA, AND PW. INSTALLER MUST PROVIDE STAINLESS ELBOWS OR STREET ELBOWS WHEN MAKING FINAL CONNECTIONS.
5. OPTIONAL POUR SPOUT NOT PROVIDED AS A STANDARD FEATURE.
6. CUSTOMER TO PROVIDE REGULATED WATER PRESSURE NOT TO EXCEED 60 PSI.

DIMENSIONS

SIZE	A	B	C	D	E	F	G	H	J	K
2.5	24	28	41	59	45	26	37	56	70	26
5.0	28	34	44	63	47	28	43	56	80	28
7.5	30	44	46	73	49	31	53	56	84	30
10.0	33	48	49	77	53	32	57	56	91	32

UTILITY CONNECTIONS/REQUIREMENTS

* SIZE	COMPRESSED AIR (CA)		POTABLE WATER (PW) 60 PSI MAX		PRODUCT DISCHARGE (PD)	AGITATOR MOTOR	ELECTRIC (ELEC) 3 PH/60 Hz		
	CONNECT SIZE	CFM @ 90 PSI	CONNECT SIZE	MAX GPM			CONNECT SIZE	MOTOR SIZE	FLA @ 208 V
2.5	½" QD	1 CFM	1" NPT	20 GPM	3" DC	½ HP	5.4 A	4.7 A	2.4 A
5.0	½" QD	1 CFM	1" NPT	20 GPM	3" DC	1 HP	7.2 A	6.3 A	3.2 A
7.5	½" QD	1 CFM	1" NPT	20 GPM	3" DC	1½ HP	8.8 A	7.7 A	3.9 A
10.0	½" QD	1 CFM	1" NPT	20 GPM	3" DC	1½ HP	8.8 A	7.7 A	3.9 A

RECOMMENDED CLEARANCES

RIGHT HAND KETTLE	
RIGHT SIDE	24"
FROM BACK LEG	18"
LEFT SIDE	12"

* CUBIC FEET AS MEASURED TO THE TOP OF THE HELICAL COIL SHAFT.