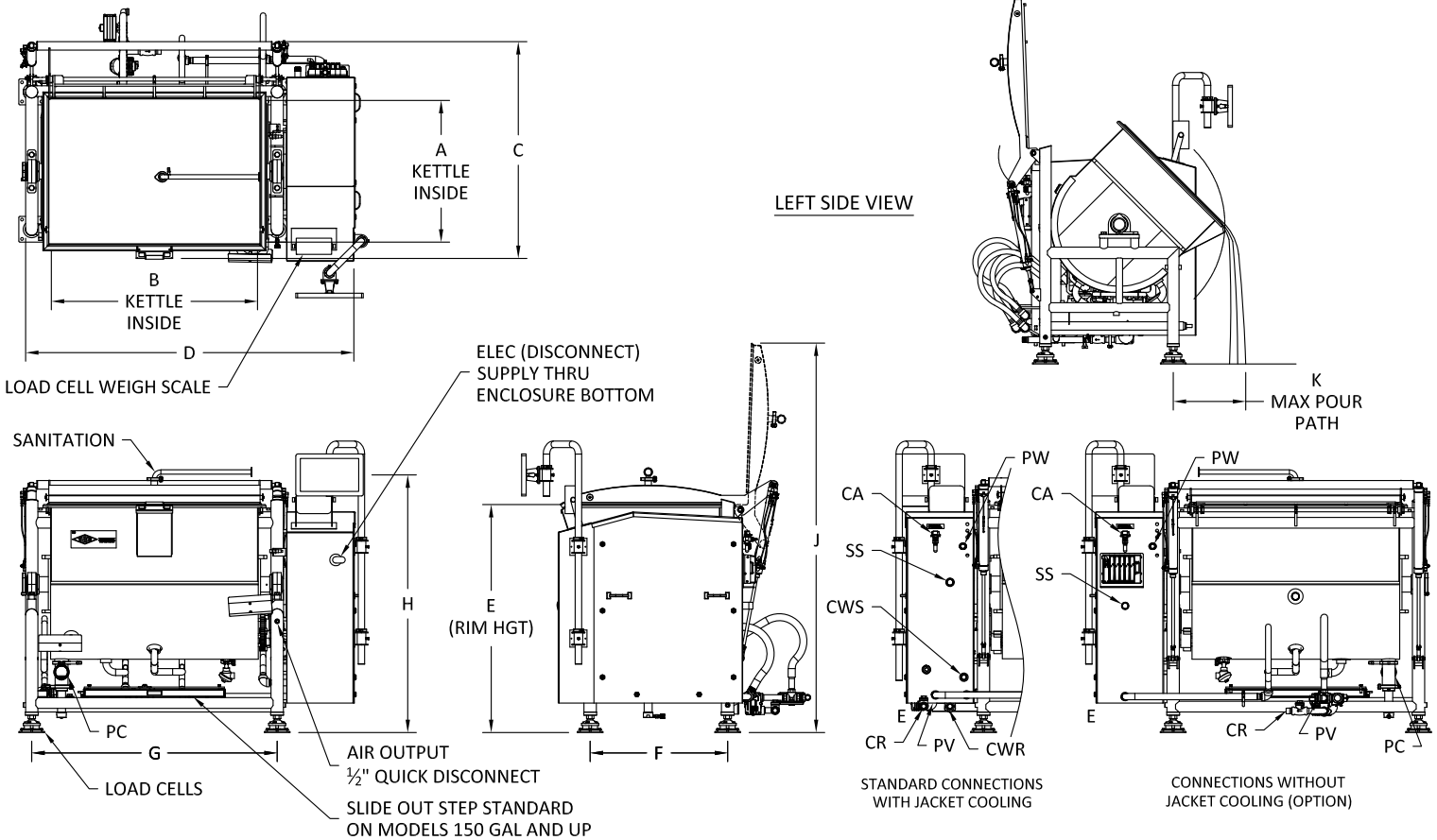


TUCS MODEL TECV-XXXT-V TILTING VERSA COOKING VESSEL



NOTES:

1. SHOWN WITH CONTROL ON RIGHT SIDE. LEFT SIDE AVAILABLE.
2. POTABLE WATER GPM DEPENDANT ON SIZE OF MAIN WATER LINE AND WATER LINE PRESSURE.
3. COMPRESSED AIR RATING SHOWN FOR KETTLE USE ONLY. INCREASED CFM REQUIRED FOR ADDITIONAL EQUIPMENT.
4. FLEXIBLE CONNECTOR HOSES (36\"L) PROVIDED BY TUCS FOR CA, SS, CR, PW, CWS, AND CWR. INSTALLER MUST PROVIDE STAINLESS ELBOWS OR STREET ELBOWS WHEN MAKING FINAL CONNECTIONS.
5. CUSTOMER TO PROVIDE REGULATED WATER PRESSURE NOT TO EXCEED 60 PSI.

UTILITY CONNECTIONS

SIZE	COMPR. AIR	STEAM SUPPLY	COND. RET.	PURGE VALVE	POTABLE WATER	PUMP CONNECT	CHILLED NONPOTABLE SUPPLY	CHILLED NONPOTABLE RETURN
SYMBOL	CA	SS	CR	PV	PW	PC	CWS	CWR
50	½" QD	1" NPT	¾" NPT	½" NPT	1" NPT	3" DC	1" NPT	1" NPT
100	½" QD	1" NPT	1" NPT	½" NPT	1" NPT	3" DC	1" NPT	1" NPT
150	½" QD	1¼" NPT	1" NPT	½" NPT	1" NPT	3" DC	1" NPT	1" NPT
200	½" QD	1¼" NPT	1" NPT	½" NPT	1" NPT	3" DC	1" NPT	1" NPT
300	½" QD	1½" NPT	1" NPT	½" NPT	1" NPT	3" DC	1" NPT	1" NPT
400	½" QD	1½" NPT	1¼" NPT	½" NPT	1" NPT	3" DC	1" NPT	1" NPT

DIMENSIONS

SIZE	A	B	C	D	E	F	G	H	J	K
50	24	28	41	58	45	26	37	60	75	26
100	28	34	44	63	47	28	43	60	80	28
150	30	44	46	73	49	31	53	60	84	30
200	33	48	49	77	53	32	57	60	91	32
300	38	54	55	83	59	36	64	60	101	36
400	42	60	59	90	62	40	70	60	108	40

UTILITY REQUIREMENTS

SIZE	COMPR. AIR	STEAM JKT 150 PSI MAX	POTABLE WATER 60 PSI MAX	ELECTRIC (ELEC)			SHIPPED WEIGHT	
				3 PH/60 Hz				
GAL	CFM @ 90 PSI	LB/HR MAX @ 100 PSI	MAX GPM	AGITATOR MOTOR	FLA @ 208V	FLA @ 240V	FLA @ 480V	LBS
50	1	380	20	½ HP	5.4 A	4.7 A	2.4 A	950
100	1	611	20	1 HP	7.2 A	6.3 A	3.2 A	1150
150	1	869	20	1½ HP	8.8 A	7.7 A	3.9 A	1450
200	1	1,060	20	1½ HP	8.8 A	7.7 A	3.9 A	1800
300	1	1,386	20	2 HP	11.0 A	9.6 A	4.8 A	1950
400	1	1,589	20	2 HP	11.0 A	9.6 A	4.8 A	2150

RECOMMENDED CLEARANCES (RIGHT HAND KETTLE)

RIGHT SIDE	24"
FROM BACK LEG	22"
LEFT SIDE	12"

FACTORY SUPPLIED STEAM PRESSURE RELIEF VALVE @125 PSI.