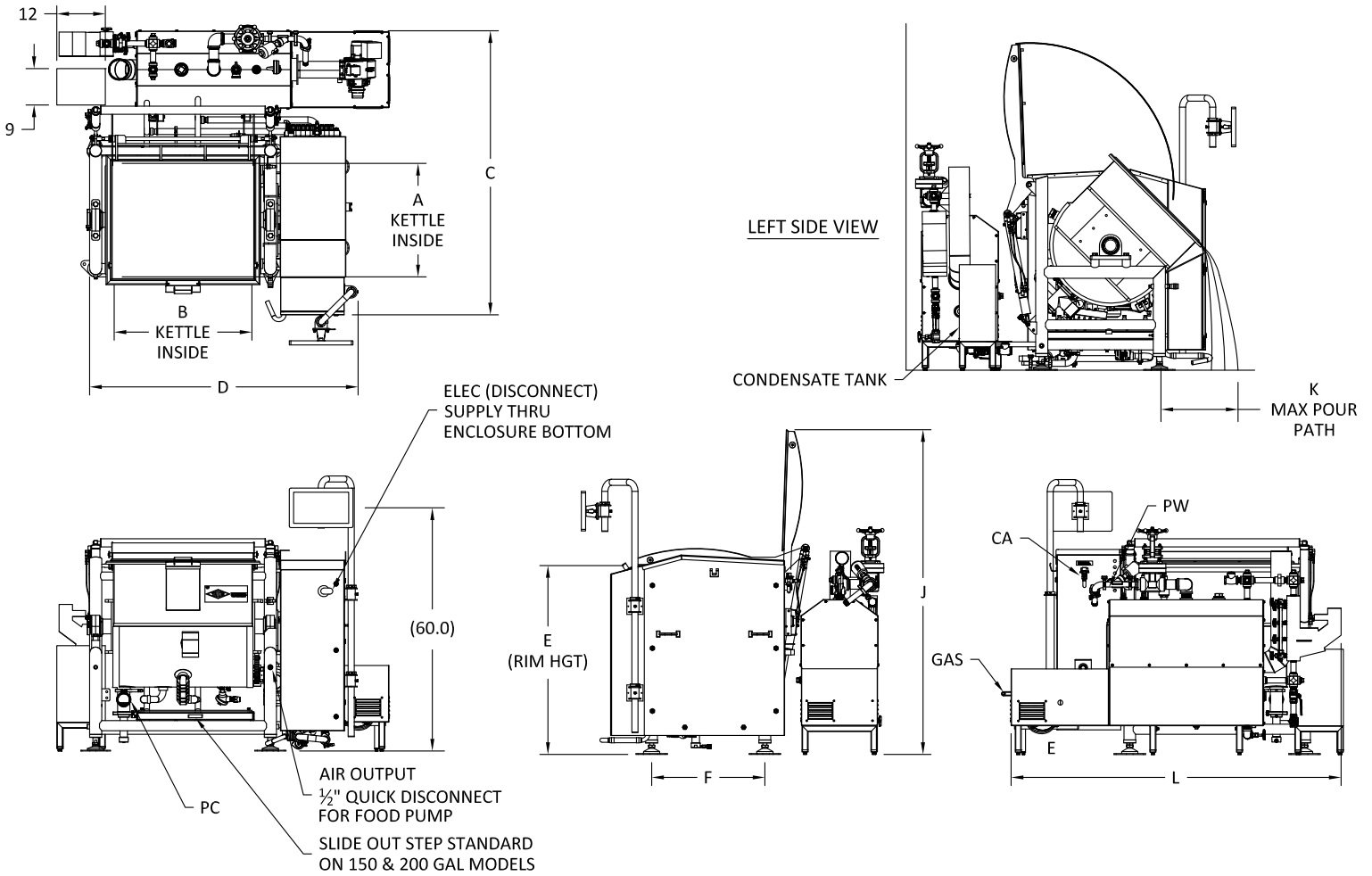
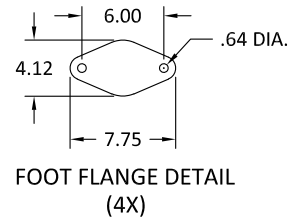


# TUCS MODEL TECV-XXXT-G TILTING GAS COOKING VESSEL



## NOTES:

1. SHOWN WITH CONTROL ON RIGHT SIDE. LEFT SIDE AVAILABLE.
2. COMPRESSED AIR RATING SHOWN FOR KETTLE USE ONLY. INCREASED CFM REQUIRED FOR ADDITIONAL EQUIPMENT.
3. FLEXIBLE CONNECTOR HOSES (36" L) PROVIDED BY TUCS FOR CA, PW, AND GAS. INSTALLER MUST PROVIDE STAINLESS ELBOWS OR STREET ELBOWS WHEN MAKING FINAL CONNECTIONS.
4. CUSTOMER TO PROVIDE REGULATED WATER PRESSURE NOT TO EXCEED 60 PSI.



## UTILITY CONNECTIONS

ALL SIZES	COMPR. AIR	GAS SUPPLY	POTABLE WATER	PUMP CONNECT
	CA	GAS	PW	PC
	1/2" QD	3/4" NPT	1" NPT	3" DC

## DIMENSIONS

SIZE	A	B	C	D	E	F	G	H	J	K	L
50	24	28	60	58	45	26	37	60	75	26	81
100	28	34	63	63	47	28	43	60	80	28	81
150	30	44	65	73	49	31	53	60	84	30	81
200	33	48	68	77	53	32	57	60	91	32	81
300	38	54	74	83	59	36	64	60	101	36	81
400	42	60	78	90	62	40	70	60	108	40	87

## UTILITY REQUIREMENTS

SIZE	COMPR. AIR	WATER COLUMN		POTABLE WATER 60 PSI MAX	ELECTRIC (ELEC) 3 PH/60 Hz			SHIPPED WEIGHT	
		CFM @ 90 PSI	BTU'S		LBS/HR	MAX GPM	AGITATOR MOTOR		FLA @ 208V
50	1	176,000	181	20	1/2 HP	7.6 A	6.6 A	3.3 A	1,100
100	1	176,000	181	20	1 HP	9.4 A	8.2 A	4.1 A	1,300
150	1	176,000	181	20	1 1/2 HP	11.0 A	9.6 A	4.8 A	1,600
200	1	259,000	267	20	1 1/2 HP	11.0 A	9.6 A	4.8 A	1,950
300	1	259,000	267	20	2 HP	13.2 A	11.5 A	5.7 A	2,100
400	1	.....	.....	20	2 HP	13.2 A	11.5 A	5.7 A	.....

## CLEARANCES

(RIGHT HAND KETTLE)	
RIGHT SIDE	24"
BACK SIDE	3"
LEFT SIDE	12"