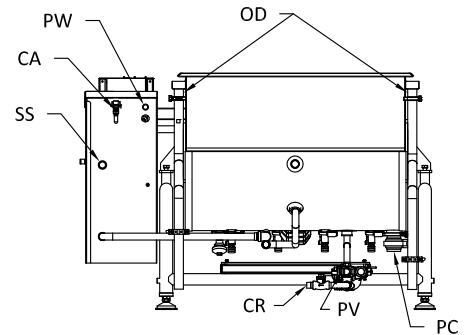
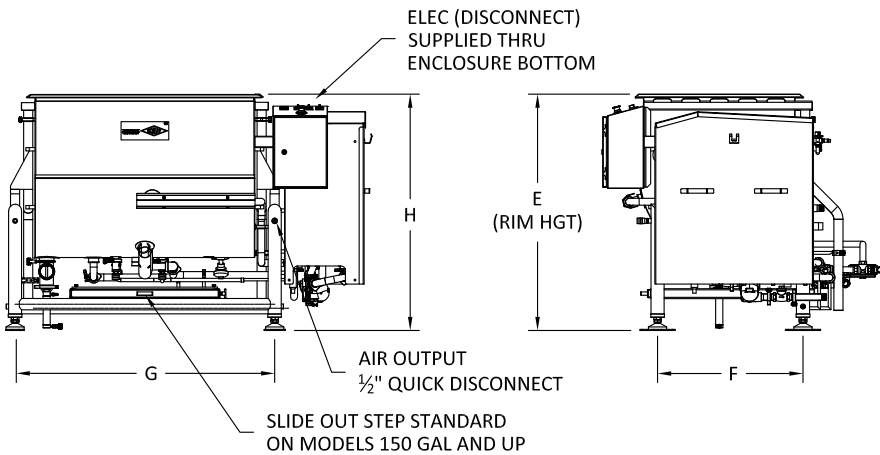
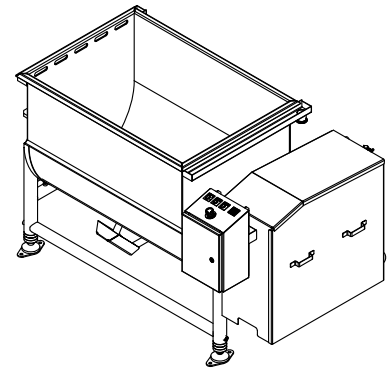
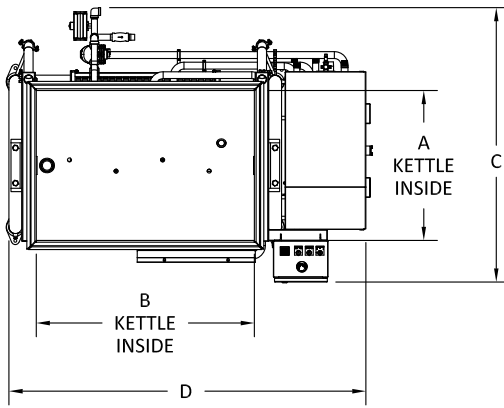
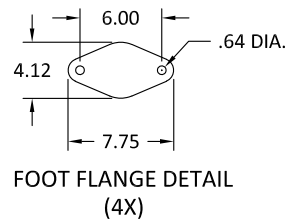


TUCS MODEL TECV-XXXS-P STATIONARY PASTA VESSEL



NOTES:

1. SHOWN WITH CONTROL ON RIGHT SIDE. LEFT SIDE AVAILABLE.
2. POTABLE WATER GPM DEPENDANT ON SIZE OF MAIN WATER LINE AND WATER LINE PRESSURE.
3. COMPRESSED AIR RATING SHOWN FOR KETTLE USE ONLY. INCREASED CFM REQUIRED FOR AIR INJECT AND/OR ADDITIONAL EQUIPMENT.
4. FLEXIBLE CONNECTOR HOSES (36" L) PROVIDED BY TUCS FOR CA, SS, CR, AND PW. INSTALLER MUST PROVIDE STAINLESS ELBOWS OR STREET ELBOWS WHEN MAKING FINAL CONNECTIONS.
5. LARGER SIZES AVAILABLE UPON REQUEST.
6. CUSTOMER TO PROVIDE REGULATED WATER PRESSURE NOT TO EXCEED 60 PSI.



UTILITY CONNECTIONS

SIZE	COMPR. AIR	STEAM SUPPLY	COND. RET.	PURGE VALVE	POTABLE WATER	PUMP CONNECT	OVERFLOW DRAIN
SYMBOL	CA	SS	CR	PV	PW	PC	OD
50	1/2" QD	1" NPT	3/4" NPT	1/2" NPT	1" NPT	3" DC	2" DC
100	1/2" QD	1" NPT	1" NPT	1/2" NPT	1" NPT	3" DC	2" DC
150	1/2" QD	1 1/4" NPT	1" NPT	1/2" NPT	1" NPT	3" DC	2" DC
200	1/2" QD	1 1/4" NPT	1" NPT	1/2" NPT	1" NPT	3" DC	2" DC

DIMENSIONS

SIZE	A	B	C	D	E	F	G	H
50	24	28	45	60	44	26	37	51
100	28	34	48	65	46	28	43	51
150	30	44	50	75	48	31	53	51
200	33	48	53	79	53	32	57	51

UTILITY REQUIREMENTS

SIZE	COMPR. AIR	STEAM JKT 150 PSI MAX	POTABLE WATER 60 PSI MAX	ELECTRIC (ELEC) 1 PH/60 Hz	SHIPPED WEIGHT
GAL	CFM @ 90 PSI	LB/HR MAX @ 100 PSI	MAX GPM	FLA @ 120 V	LBS
50	1	380	20	2.0 A	800
100	1	611	20	2.0 A	1000
150	1	869	20	2.0 A	1300
200	1	1,060	20	2.0 A	1650

RECOMMENDED CLEARANCES

(RIGHT HAND KETTLE)	
RIGHT SIDE	24"
FROM BACK LEG	22"
LEFT SIDE	12"

FACTORY SUPPLIED STEAM PRESSURE RELIEF VALVE @125 PSI.