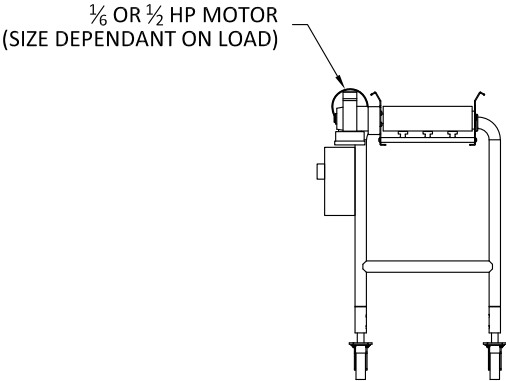
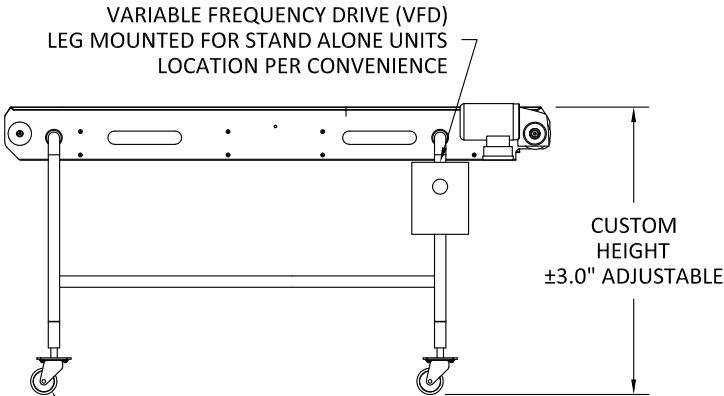
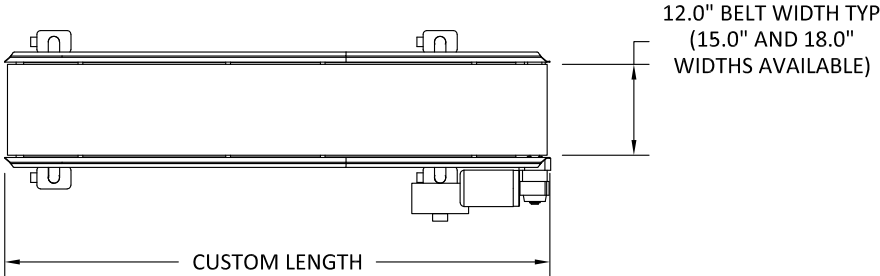


TUCS MODEL TECONV-H-XX HORIZONTAL CONVEYOR



SHOWN WITH STANDARD LOCKING CASTERS
DIRECT FLOOR MOUNT OPTION AVAILABLE

- NOTES:
1. MOTOR PLACEMENT SHOWN IS TYPICAL. OPPOSITE SIDE OPTION AVAILABLE.
 2. HEIGHT, WIDTH AND LENGTH DETERMINED BY CUSTOMER REQUIREMENTS.
 3. BELTING TYPE DETERMINED BY CUSTOMER REQUIREMENTS.
 4. 12' STANDARD LENGTH CORD WITH PLUG AND MATCHING RECEPTACLE INCLUDED WITH LEG MOUNTED VFD.

ELECTRICAL REQUIREMENTS LEG MOUNTED VFD (1 PHASE/60 HZ)				
VOLTS	AMPS @ 1/6 HP	AMPS @ 1/2 HP	AMPS @ 3/4 HP	AMPS @ 1 HP
120	4.4	9.8	13.8	16.0
208/230	2.2	4.9	6.9	8.0

ELECTRICAL REQUIREMENTS PANEL MOUNTED VFD (3 PHASE/60 HZ)				
VOLTS	AMPS @ 1/6 HP	AMPS @ 1/2 HP	AMPS @ 3/4 HP	AMPS @ 1 HP
208	1.0	2.2	3.7	4.8
230	0.9	2.0	3.2	4.2
460	0.5	1.0	1.6	2.1