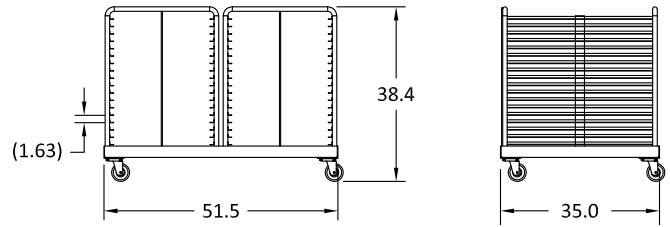
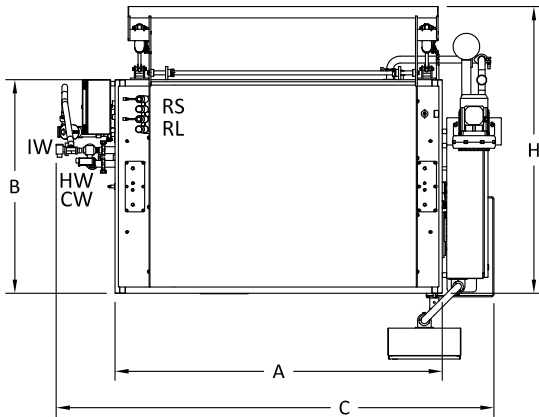


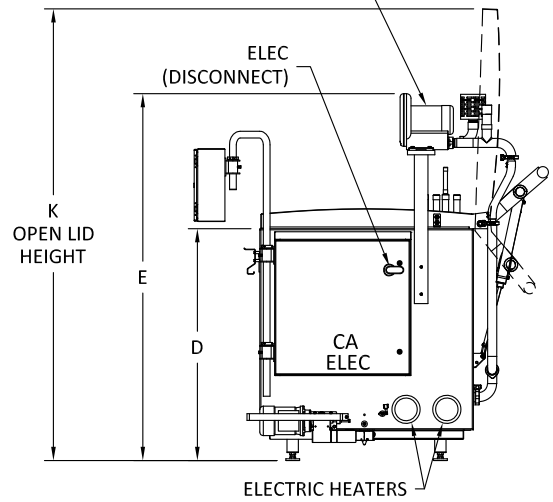
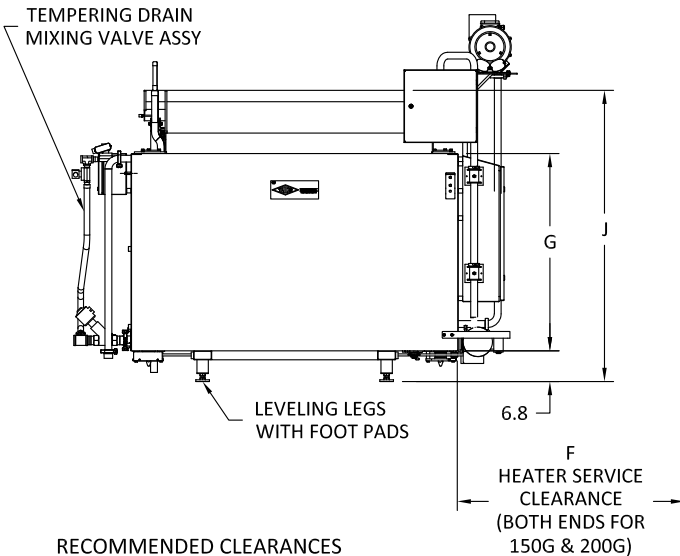
TUCS MODEL TBCCT-XXXE ELECTRIC BATCH COOK CHILL TANK



SINGLE DOLLY W/TWO SHELVING RACKS

1 SHELVING RACK FOR EACH 50 GALLONS OF TANK PRODUCT CAPACITY
17 SHELVES WITH 1.05" BETWEEN EACH SHELF

3/4 HP BLOWER FOR AGITATION
CAN BE MOUNTED ABOVE
THE CEILING ACOUSTICAL
TILES TO REDUCE NOISE



RECOMMENDED CLEARANCES

RIGHT HAND TANK	
RIGHT (HEATER) SIDE	DIMENSION F
BACK SIDE	24"
LEFT SIDE	12"

DIMENSIONS

SIZE	A	B	C	D	E	F	G	H	J	K
50	48	47	72	51	81	42	44	64	65	100
100	71	47	96	51	81	50	44	64	65	100
150	96	47	120	51	81	50	44	64	65	100
200	120	47	144	51	81	50	44	64	65	100

NOTES:

1. SHOWN WITH CONTROL ON RIGHT SIDE. LEFT SIDE AVAILABLE.
2. REFRIGERATION CONNECTION SIZES SHOWN ARE TYPICAL FROM FACTORY. ALTERNATE CONNECTION SIZES ARE AVAILABLE.
3. 3' FLEXIBLE HOSE CONNECTIONS INCLUDED FOR COMPRESSED AIR AND POTABLE WATER. INSTALLER MUST PROVIDE STAINLESS ELBOWS OR STREET ELBOWS WHEN MAKING FINAL CONNECTIONS.
4. TYPICAL REFRIGERATION COIL QUANTITIES SHOWN MAY CHANGE TO ACCOMMODATE REFRIGERANT SUPPLY.
5. CUSTOMER TO PROVIDE REGULATED WATER PRESSURE NOT TO EXCEED 100 PSI.
6. ULTRAVIOLET WATER SANITATION SYSTEM AVAILABLE (2.2A @ 208V).
7. CHILLED WATER TAKE OFF AVAILABLE (3.3A @ 208V).

COMMON UTILITY CONNECTIONS

SIZE	COMPR. AIR 10 CFM @ 90 PSI	HOT POTABLE WATER @ 100 PSI MAX	COLD POTABLE WATER @ 100 PSI MAX	INDIRECT WASTE	OVERFLOW
CAPACITY	CA	CW	CW	IW	OV
50-100	1/4" QD	3/4" NPT	3/4" NPT	2" NPT	1 1/2" NPT

UTILITY REQUIREMENTS

SIZE		ELECTRIC (OPTIONS)		HEAT	REFRIGERATION				
PRODUCT CAPACITY (GALLONS)	SOLID MUSCLE POUNDS	480V/3PH	240V/3PH	TOTAL BTU/hr	TOTAL BTU/hr @25°F SUCTION	COIL QUANTITY PER UNIT	CONDENSER SIZE PER COIL CIRCUIT	LIQUID	SUCTION
50	400-500	34.0A	67.0A	81,888	70,000	1	7.6 HP	7/8"	1 3/8"
100	800-1,000	131.0A	n/a	122,832	120,000	1	11 HP	7/8"	1 3/8"
150	1,200-1,500	170.0A	n/a	145,000	1	15 HP	7/8"	1 3/8"
150	1,200-1,500	170.0A	n/a	145,000	2	7.6 HP	7/8"	1 3/8"
200	1,600-2,000	193.0A	n/a	230,000	2	15 HP	7/8"	1 3/8"