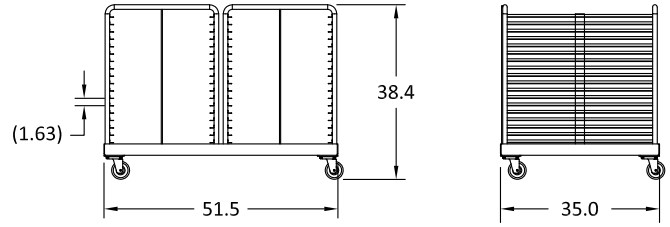
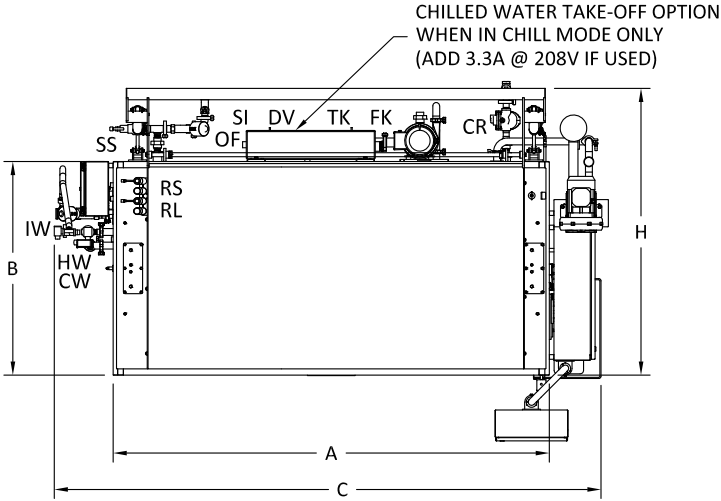


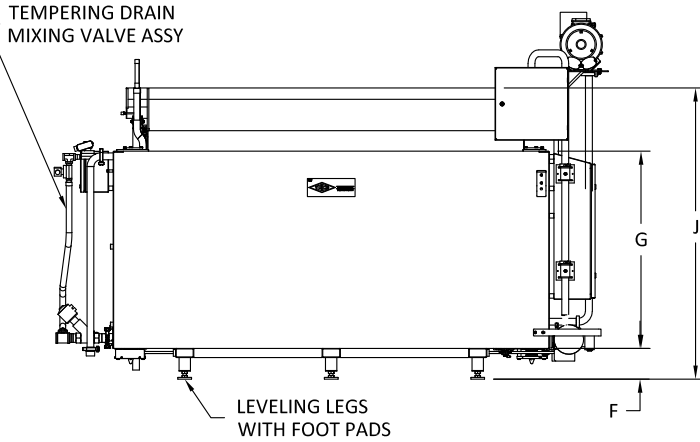
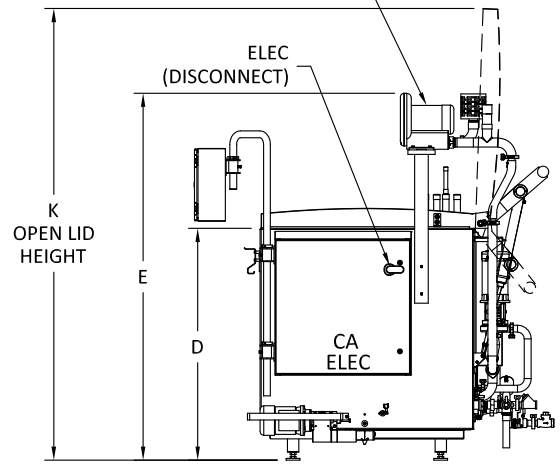
# TUCS MODEL TBCCT-XXX BATCH COOK CHILL TANK



## SINGLE DOLLY W/TWO SHELVING RACKS

1 SHELVING RACK FOR EACH 50 GALLONS OF TANK PRODUCT CAPACITY  
17 SHELVES WITH 1.05" BETWEEN EACH SHELF

3/4 HP BLOWER FOR AGITATION  
CAN BE MOUNTED ABOVE  
THE CEILING ACOUSTICAL  
TILES TO REDUCE NOISE



### NOTES:

1. SHOWN WITH CONTROL ON RIGHT SIDE. LEFT SIDE AVAILABLE.
2. REFRIGERATION CONNECTION SIZES ARE TYPICAL FROM FACTORY. ALTERNATE CONNECTION SIZES ARE AVAILABLE.
3. 3" FLEXIBLE HOSE CONNECTIONS INCLUDED FOR COMPRESSED AIR AND POTABLE WATER. INSTALLER MUST PROVIDE STAINLESS ELBOWS OR STREET ELBOWS WHEN MAKING FINAL CONNECTIONS.
4. TYPICAL REFRIGERATION COIL QUANTITIES SHOWN MAY CHANGE TO ACCOMMODATE REFRIGERANT SUPPLY.
5. CUSTOMER TO PROVIDE REGULATED WATER PRESSURE NOT TO EXCEED 100 PSI.
6. ULTRAVIOLET WATER SANITATION SYSTEM AVAILABLE (2.2A @ 208V).

### DIMENSIONS

SIZE	A	B	C	D	E	F	G	H	J	K
50	48	47	72	51	81	7	44	64	65	100
100	71	47	96	51	81	7	44	64	65	100
150	96	47	120	51	81	7	44	64	65	100
200	120	47	144	51	81	7	44	64	65	100
300	174	47	198	51	81	7	44	64	65	100

### COMMON UTILITY CONNECTIONS

SIZE	COMPR. AIR 10 CFM @ 90 PSI	STEAM	COND. RETURN	COLD POTABLE WATER @ 100 PSI MAX	HOT POTABLE WATER @ 100 PSI MAX (OPTIONAL)	INDIRECT WASTE	OVERFLOW	ELECTRIC (OPTIONS)			OPTIONAL CHILLED WATER TAKE-OFF				
								@ 208V	@ 240V	@ 480V	SUPPLY IN	FROM KETTLES	TO KETTLES	OVERFLOW	DRAIN VALVE
CAPACITY	CA	SS	CR	CW	HW	IW	OV	ELEC	ELEC	ELEC	SI	FK	TK	OF	DV
50-300	1/4" QD	1" NPT	1" NPT	3/4" NPT	3/4" NPT	2" NPT	1 1/2" NPT	9.1A	8.0A	4.0A	3/4" NPT	1 1/2" NPT	1 1/2" NPT	3/4" NPT	1/2" NPT

### UTILITY REQUIREMENTS

SIZE		STEAM SUPPLY (150 psi MAX)	REFRIGERATION					WEIGHT (LBS)	
PRODUCT CAPACITY (GALLONS)	SOLID MUSCLE POUNDS		LBS/HR MAX @ 45 PSI	TOTAL BTU/hr @25°F SUCTION	COIL QUANTITY PER UNIT	CONDENSER SIZE PER COIL CIRCUIT	LIQUID	SUCTION	EMPTY
50	400-500	350	70,000	1	7.6 HP	7/8"	1 3/8"	1,030	3,630
100	800-1,000	600	120,000	1	11 HP	7/8"	1 3/8"	1,480	5,590
150	1,200-1,500	850	145,000	1	15 HP	7/8"	1 3/8"	2,580	7,980
150	1,200-1,500	850	145,000	2	7.6 HP	7/8"	1 3/8"	2,580	7,980
200	1,600-2,000	1,200	230,000	2	15 HP	7/8"	1 3/8"	2,880	9,630
300	2,400-3,000	1,800	336,000	2	22 HP	7/8"	1 3/8"	4,180	14,030
300	2,400-3,000	1,800	336,000	3	15 HP	7/8"	1 3/8"	4,180	14,030

### RECOMMENDED CLEARANCES

RIGHT HAND TANK	
RIGHT (PANEL) SIDE	36"
BACK SIDE	24"
LEFT SIDE	12"