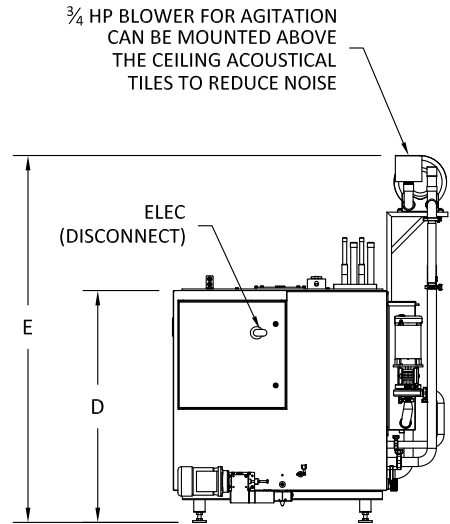
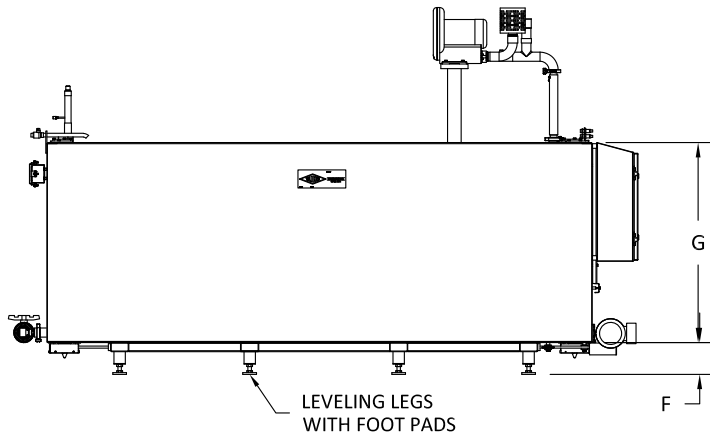
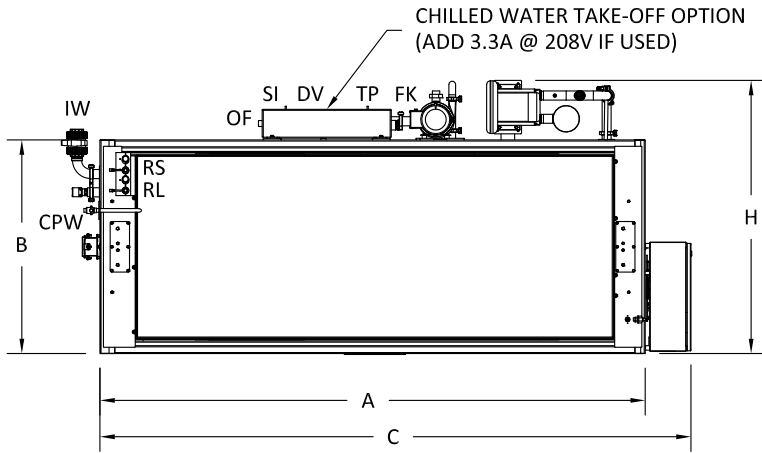


# TUCS MODEL TEBC-XXX BATCH CHILLER



**NOTES:**

1. SHOWN WITH CONTROL ON RIGHT SIDE. LEFT SIDE AVAILABLE.
2. REFRIGERATION CONNECTION SIZES SHOWN ARE TYPICAL FROM FACTORY. ALTERNATE CONNECTION SIZES ARE AVAILABLE UPON REQUEST.
3. 3' FLEXIBLE HOSE CONNECTION INCLUDED FOR CPW.
4. TYPICAL REFRIGERATION COIL QUANTITIES SHOWN MAY CHANGE TO ACCOMMODATE REFRIGERANT SUPPLY.
5. CUSTOMER TO PROVIDE REGULATED WATER PRESSURE NOT TO EXCEED 100 PSI.
6. ULTRAVIOLET WATER SANITATION SYSTEM AVAILABLE (2.2A @208V).

**DIMENSIONS**

SIZE	A	B	C	D	E	F	G	H
50	48	47	58	51	81	7	44	60
100	71	47	81	51	81	7	44	60
150	96	47	106	51	81	7	44	60
200	120	47	131	51	81	7	44	60
300	174	47	184	51	81	7	44	60

**COMMON UTILITY CONNECTIONS**

SIZE	COLD POTABLE WATER @ 100 PSI MAX	INDIRECT WASTE	ELECTRIC (OPTIONS)			OPTIONAL CHILLED WATER TAKE-OFF				
			@ 208V	@ 240V	@ 480V	SUPPLY IN	FROM KETTLES	TO KETTLES	OVERFLOW	DRAIN VALVE
CAPACITY	CPW	IW	ELEC	ELEC	ELEC	SI	FK	TK	OF	DV
100-300	3/4"	2" NPT	9.1A	8.0A	4.0A	3/4" NPT	1 1/2" NPT	1 1/2" NPT	3/4" NPT	1/2" NPT

**UTILITY REQUIREMENTS**

SIZE	REFRIGERATION					WEIGHT (LBS)	
	PRODUCT CAPACITY (GALLONS)	TOTAL BTU/hr @25°F SUCTION	COIL QUANTITY PER UNIT	CONDENSER SIZE PER COIL CIRCUIT	LIQUID	SUCTION	EMPTY
50	70,000	1	7.6 HP	7/8"	1 3/8"	800	3,400
100	120,000	1	11 HP	7/8"	1 3/8"	1,200	5,310
150	145,000	1	15 HP	7/8"	1 3/8"	2,250	7,650
150	145,000	2	7.6 HP	7/8"	1 3/8"	2,250	7,650
200	230,000	2	15 HP	7/8"	1 3/8"	2,500	9,260
300	336,000	2	22 HP	7/8"	1 3/8"	3,700	13,550
300	336,000	3	15 HP	7/8"	1 3/8"	3,700	13,550

**RECOMMENDED CLEARANCES**

RIGHT HAND TANK	
RIGHT (PANEL) SIDE	36"
BACK SIDE	12"
LEFT SIDE	12"