

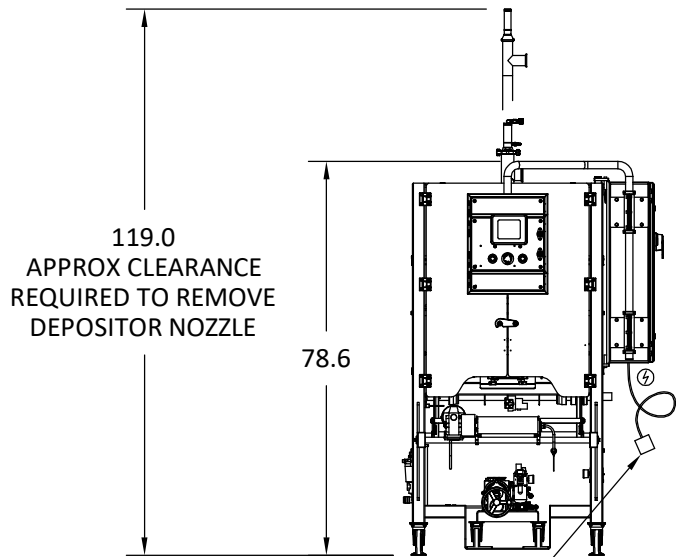
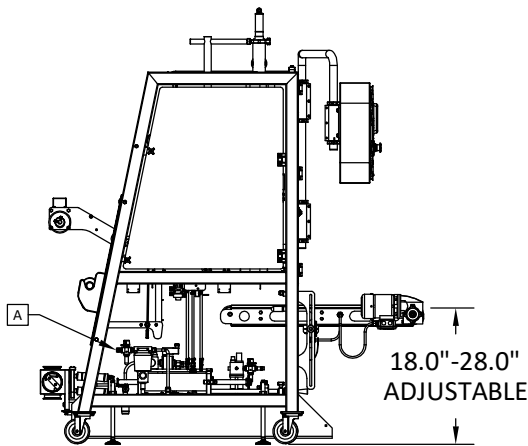
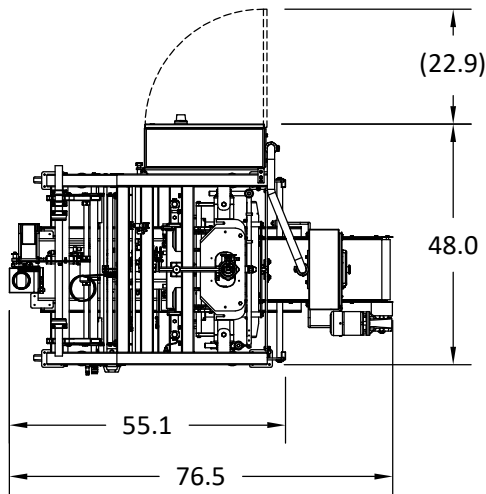
# MODEL TEVFF-10L VERTICAL FORM FILL SEAL MACHINE

## INCLUDED AS STANDARD

- 2½" NOZZLE (FOR 1¼" PARTICULATE)
- 10" SHOULDER
- HOT FILL PISTON FILLER ACCESSORIES (160°F - 190°F)
- TEITP - INLET TUBING PACKAGE
- ½" x 10' AIR HOSE
- SPARE PARTS PACKAGE
- TEBK - CLEANING BRUSH KIT

## OPTIONS

- FILL TEMPERATURE MONITORING
- THERMAL TRANSFER PRINTING ON POUCH
- NOTCHED SEAL AREA FOR EASY OPENING
- INTEGRAL POUCH HANDLE
- COLD FILL PISTON FILLER ACCESSORIES
- 1 PALLET OF FILM (12 ROLLS, 2500' LONG)
- PRINTER W/5 ROLLS OF RIBBON
- SPRAY CURTAIN FOR FILM ROLL
- PISTON FILLER CHANGEOVER KIT **(VERIFY PRIOR TO ORDERING)**

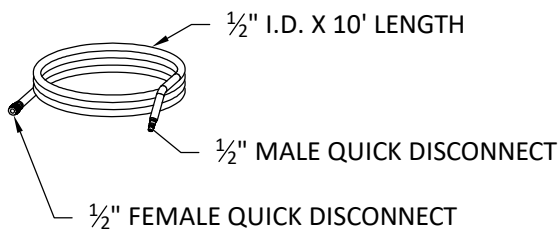


12' CORD W/ 28W75 NON-NEMA, WATER TIGHT, 20A,  
120/208V, 3 PHASE, 4 POLE, 4 WIRE PLUG  
(CONNECTING 29W75 FEMALE RECEPTACLE INCLUDED)

UTILITIES		
SYM	DESCRIPTION	UTILITY CONNECTION
⚡	ELECTRICAL	16 FLA @ 208-240 VAC/3 PH/60 HZ (24.0 FLA w/INTEGRAL POUCH HANDLE OPTION)
A	AIR SUPPLY	½" QUICK DISCONNECT - 30 CFM @ 90 PSI

RECOMMENDED CLEARANCES	
RIGHT SIDE	36"
BACK	36"
LEFT SIDE	24"

### ½" X 10' AIR HOSE



### 3.0 DIA. FLEXIBLE INLET HOSE - TEITP

