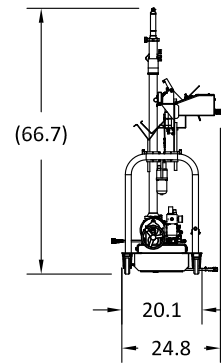
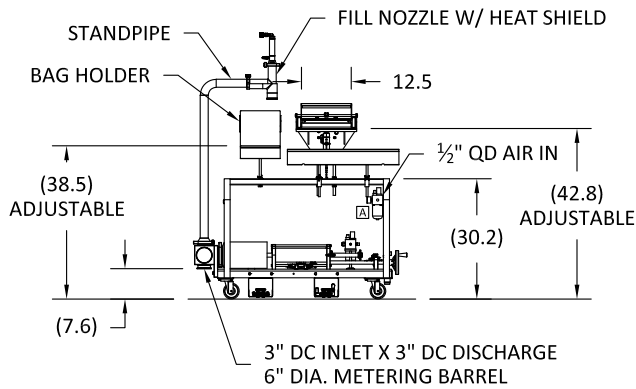
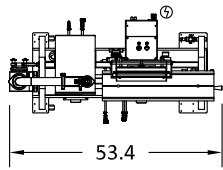
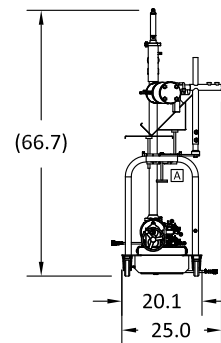
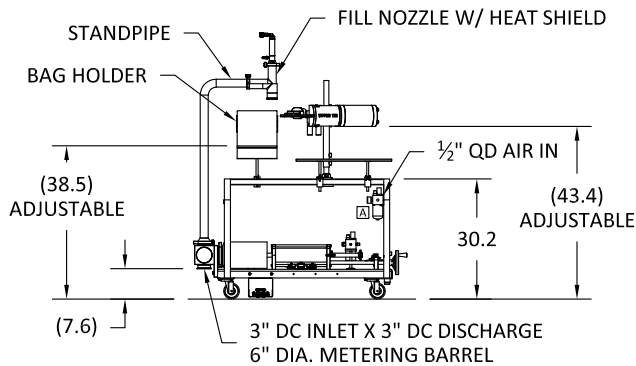
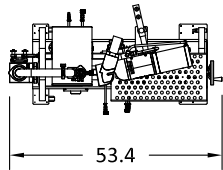


TEMPF-HS MOBILE PUMP FILL STATION WITH HEAT SEALER



OPTIONAL TEMPF-TT MOBILE PUMP FILL STATION WITH TIPPER TIE®

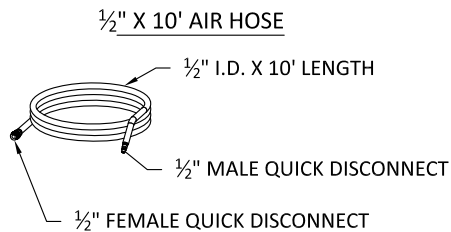


DIMENSIONS					
BLOCK SIZE	B	C	D	E	F
DIAMETER	2 1/4"	3"	3 1/2"	4"	4"
BLOCK LENGTH	3"	4"	5"	5"	6"
BASE WIDTH	6"	11"	12"	12"	12"
BASE LENGTH	24"	42"	43"	43"	43"

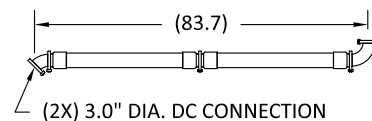
RECOMMENDED CLEARANCES	
RIGHT SIDE	12"
BACK	12"
LEFT SIDE	12"

ROTARY VALVE TYPE		
TYPE	DESCRIPTION	TEMP RANGE
CC	COLD COLD	30°F - 40°F
C	COLD	45°F - 65°F
R	ROOM	65°F - 90°F
W	WARM	90°F - 140°F
H	HOT	140°F - 185°F
HH	HOT HOT	185°F - 205°F

UTILITIES		
SYM	DESCRIPTION	UTILITY CONNECTION
A	COMPRESSED AIR	1/2" QUICK DISCONNECT - 15 CFM @ 90 PSI
Ⓜ	ELECTRICAL	6.0 FLA @ 110 VAC W/ 3 PRONG CORD (-HS MODEL ONLY)



3.0 DIA. FLEXIBLE INLET HOSE - TEITP



INCLUDED:

- TEITP - TWO (2) SECTIONS OF 3" DIA. X 3' LONG USDA APPROVED FOOD TRANSFER INLET HOSES WITH DAIRY CLAMPS, GASKETS AND ELBOWS
- 10' LENGTH OF COMPRESSED AIR HOSE WITH QUICK DISCONNECTS
- TEBK - CLEANING BRUSH KIT
- SPARE PARTS KIT
- FILL NOZZLE (VARIETY OF SIZES AVAILABLE)