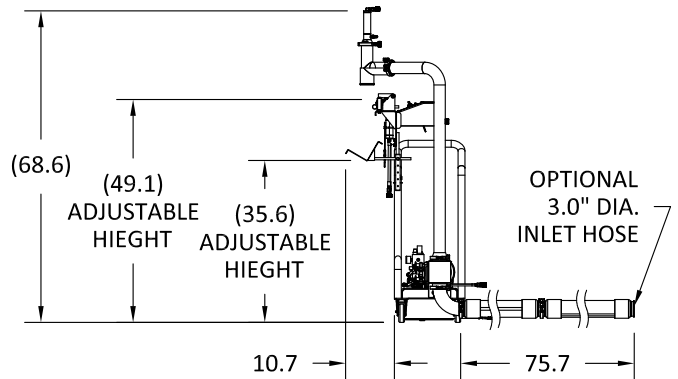
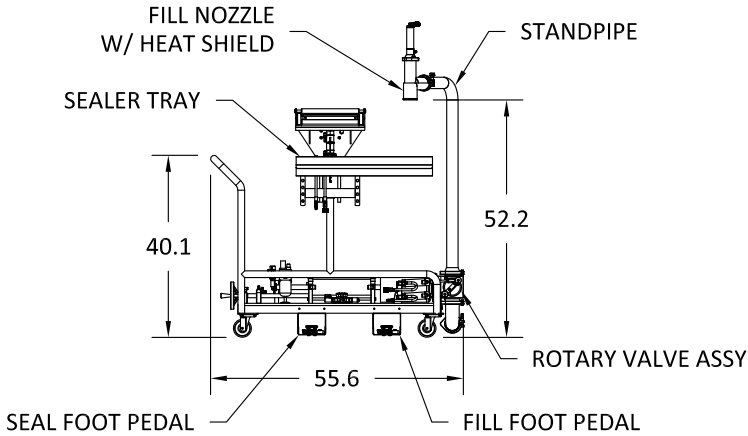
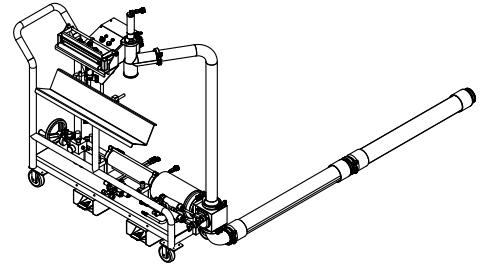
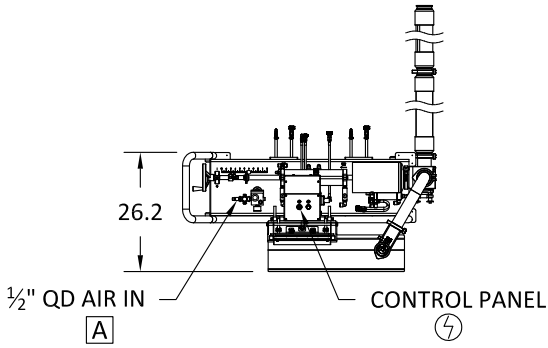


TUCS MODEL TEMPF-ECONO MOBILE PUMP FILL STATION



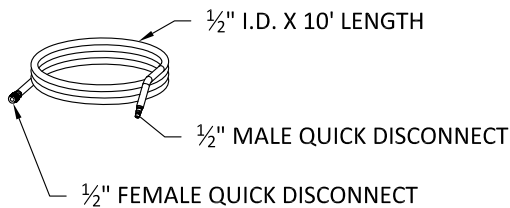
DIMENSIONS					
BLOCK SIZE	B	C	D	E	F
DIAMETER	2 3/4"	3"	3 1/2"	4"	4"
BLOCK LENGTH	3"	4"	5"	5"	6"
BASE WIDTH	6"	11"	12"	12"	12"
BASE LENGTH	24"	42"	43"	43"	43"

ROTARY VALVE TYPE		
TYPE	DESCRIPTION	TEMP RANGE
CC	COLD COLD	30°F - 40°F
C	COLD	45°F - 65°F
R	ROOM	65°F - 90°F
W	WARM	90°F - 140°F
H	HOT	140°F - 185°F
HH	HOT HOT	185°F - 205°F

UTILITIES		
SYM	DESCRIPTION	UTILITY CONNECTION
A	COMPRESSED AIR	1/2" QUICK DISCONNECT - 15 CFM @ 90 PSI
⚡	ELECTRICAL	6.0 FLA @ 110 VAC W/ 3 PRONG CORD

RECOMMENDED CLEARANCES	
RIGHT SIDE	12"
BACK	12"
LEFT SIDE	12"

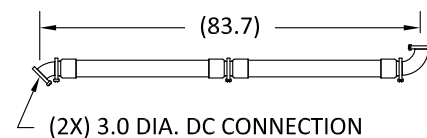
1/2" X 10' AIR HOSE (OPTION)



INCLUDED:

- SPARE PARTS KIT
- FILL NOZZLE (VARIETY OF SIZES AVAILABLE)
- TEBK - CLEANING BRUSH KIT

3.0" DIA. FLEXIBLE INLET HOSE - TEITP (OPTION)



OPTIONS:

- TEITP - TWO (2) SECTIONS OF 3" DIA. X 3' LONG USDA APPROVED FOOD TRANSFER INLET HOSES WITH DAIRY CLAMPS, GASKETS AND ELBOWS
- 10' LENGTH OF COMPRESSED AIR HOSE WITH QUICK DISCONNECTS