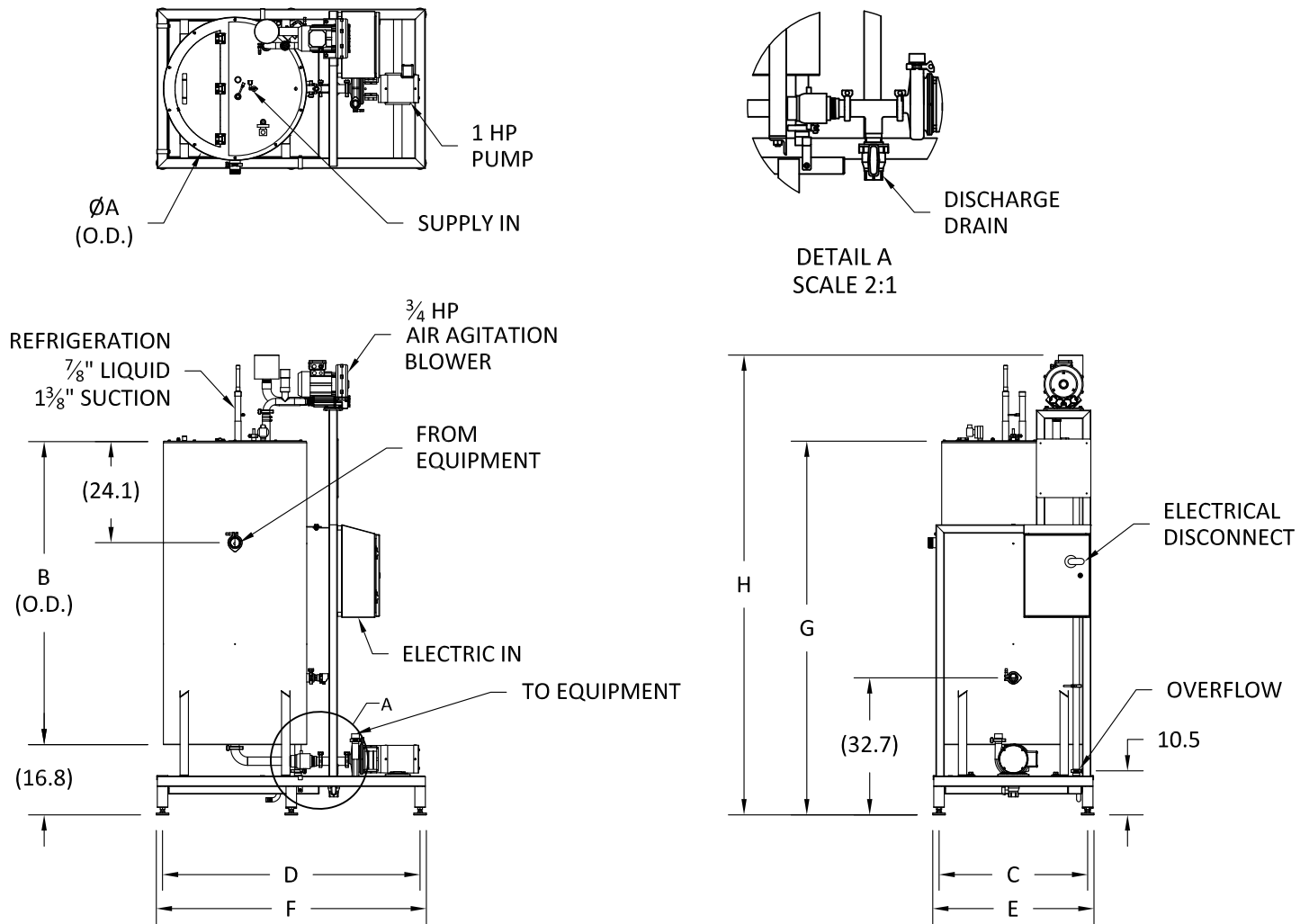


MODEL TEIBR-XXX ICE BUILDER REPLACEMENT



NOTES:

1. DIMENSIONS SUBJECT TO CHANGE WITHOUT NOTICE. CHECK WITH FACTORY.
2. FOUR 14GA YELLOW WIRES MUST BE RUN BETWEEN THE TEIBR- AND EACH DEVICE REQUIRING CHILLING VIA ONE 1/2" CONDUIT PER DEVICE. PROVIDED BY OTHERS.
3. REFRIGERATION CIRCUIT QUANTITY DETERMINED PER APPLICATION.
4. SOLENOIDS AND EXPANSION VALVES TO BE PROVIDED BY REFRIGERATION SUPPLIER.

UTILITY CONNECTIONS

SIZE	SUPPLY IN	FROM EQUIPMENT	DISCHARGE DRAIN	OVER FLOW	TO EQUIPMENT	REFRIGERATION	
						LIQUID	SUCTION
ALL	3/4" DC	2" DC	1 1/2" NPT	1 1/4" NPT	1 1/2" DC	7/8"	1 3/8"

DIMENSIONS AND REQUIREMENTS

MODEL #	TANK SIZE		FOOTPRINT		FRAME		HEIGHT		COILED FOR (BTU'S/HR)	CONDENSER QTY x SIZE	WATER CAPACITY	ELECTRIC 3 PH/60 Hz		
	A	B	C	D	E	F	G	H				208V	240V	480V
TEIBR-220	Ø34"	60"	35.5"	61.5"	38"	64"	89"	98"	230,000	2 x 11 HP	135 gal	10.0 A	8.7 A	4.4 A
TEIBR-220T	Ø34"	72"	35.5"	61.5"	38"	64"	89"	110"	230,000	2 x 11 HP	135 gal	10.0 A	8.7 A	4.4 A
TEIBR-330	Ø40"	57"	41.5"	67.5"	44"	70"	89"	98"	270,000	2 x 15 HP	200 gal	10.0 A	8.7 A	4.4 A
TEIBR-330T	Ø40"	72"	41.5"	67.5"	44"	70"	89"	110"	270,000	2 x 15 HP	200 gal	10.0 A	8.7 A	4.4 A
TEIBR-440	Ø46"	60"	33.5"	63.5"	36"	66"	92"	98"	405,000	3 x 15 HP	290 gal	10.0 A	8.7 A	4.4 A
TEIBR-440T	Ø46"	75"	33.5"	63.5"	36"	66"	92"	110"	405,000	3 x 15 HP	290 gal	10.0 A	8.7 A	4.4 A