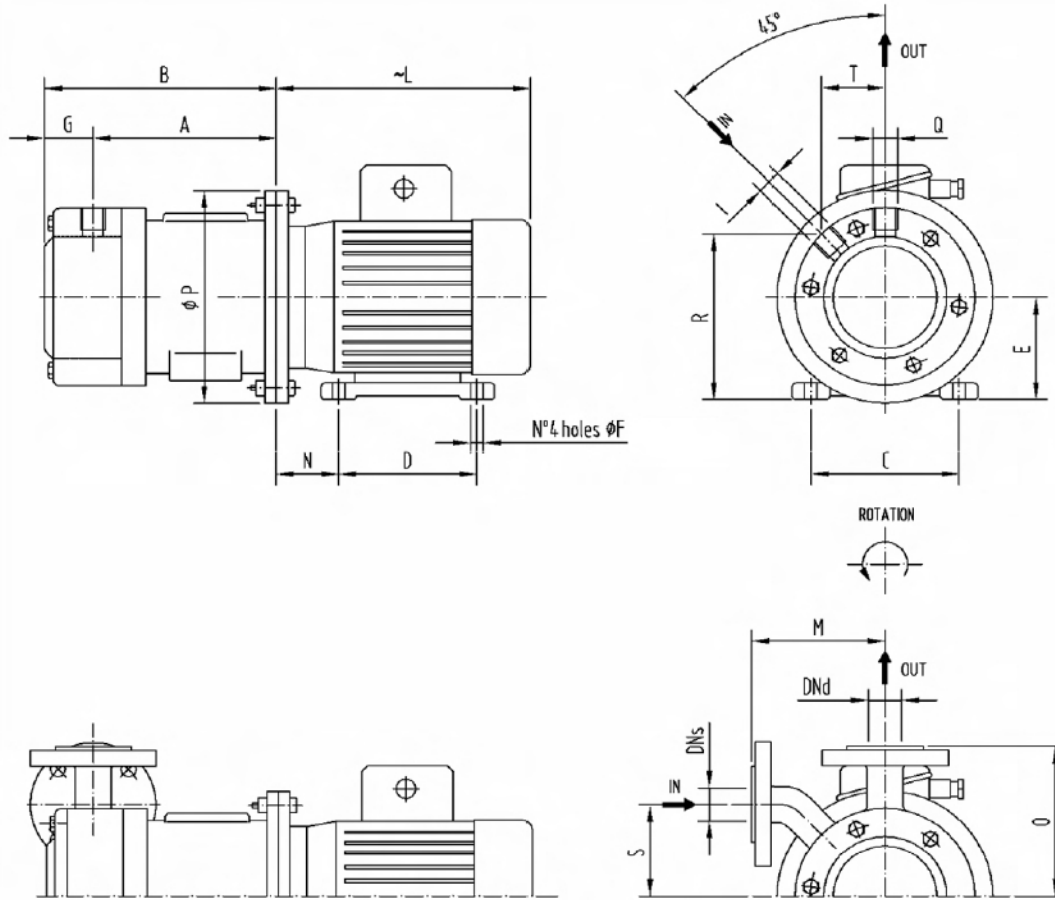


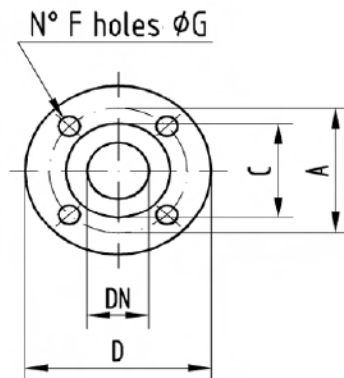
OVERALL DIMENSIONS



DIMENSIONS NOT BINDING

OPTION

FLANGES



DN	UNI PN 16				
	D	C	A	F	G
15	95	45	65	4	14
20	105	58	75	4	14

DN	ANSI 150 RF				
	D	C	A	F	G
1/2"	88,9	34,9	60,3	4	15,9
3/4"	98,4	42,9	69,8	4	15,9

Type	DN _s	I	DN _d	Q	Dimensions														
	mm (inch.)	Gas	mm (inch.)	Gas	A	B	C	D	E	F	G	L	M	N	O	P	R	S	T
STM1_56C	15 (1/2")	1/2"	15 (1/2")	1/2"	151	182	112	90	71	7	31	210	88	45	88	160	109	54	38

Motor I.E.C. 50Hz		
B3/B5	kW 2P	kW 4p
71 B	0,55	0,37