

Effective April 2026



# PICTORIAL PARTS BOOK & PRICE LIST



All prices are F.O.B. DePere, WI and are subject to change without notice.

2222 American Blvd. | DePere, WI 54115  
920.338.9278 | 888.315.7253 | 920.983.0200 (fax) | [www.washworldinc.com](http://www.washworldinc.com)  
email: [parts@washworldinc.com](mailto:parts@washworldinc.com)



## RETURNED MATERIALS AUTHORIZATION (RMA) POLICY

1. Contact Washworld or your local Washworld distributor and request a "Returned Materials Authorization" (RMA) number. Include the following information:
  - What failed?
  - Cause of failure?
  - Invoice number and the date of purchase.
2. A description of the failure must be written on the form along with the RMA number and returned with the defective component within 45 days **freight prepaid** to Washworld Inc. Components returned without an RMA number, incomplete information, or later than 45 days will be ineligible for credit.
3. Washworld Inc. will send a replacement component to the local Washworld distributor or customer and will invoice the distributor or customer for the replacement part after 45 days if we have not received the part back in satisfactory condition or if the part is not covered under warranty. **Any shipping charges other than UPS ground will be invoiced to the distributor or customer.**
4. Upon receipt of the defective part and RMA form, an examination will be conducted to determine cause of failure. Following the RMA examination, Washworld Inc. will determine if the returned component will be covered by the warrant

## TERMS AND CONDITIONS

### Telephone & Fax Orders

When calling, please provide the following information:

- Carwash or company name
- Shipping address
- Shipping method
- Credit card number (VISA, MasterCard, American Express, Discover)
- Item number, description, quantity
- P.O. number or name of individual authorizing purchase

### Shipping Policy

- All orders are shipped ground UPS or common carrier unless special arrangements are requested.
- Shipping charges are the responsibility of the customer and will be added to all orders.
  1. A \$5.00 shipping and handling fee will be added to all orders shipped via UPS.
  2. An additional charge will be added when a common carrier is required due to crating and packaging.
- All orders are F.O.B. Washworld.

### Prices

- All prices are subject to change without notice.
- Orders will be invoiced at the current price at the time of order (prices are subject to change without notice).

### Warranty

All parts sold, excluding parts deemed "wear items", carry a 90 day Washworld warranty or an extended warranty designated by the OEM Manufacturer's warranty, whichever is longer. Warranty inquiries should be directed to the Washworld Technical Support Department at (888)315-7253.

NOTE: Components deemed "wear items" include, but are not limited to: nozzles, belts, hoses, injectors, fuses, tires, rollers, shear bolts, LED's, light bulbs, bearings, bumpers, etc. are not covered under this warranty.

2222 American Boulevard · DePere, WI 54115 · 920.338.9278 · 888.315.7253 · 920.983.0200 (fax)

[www.washworldinc.com](http://www.washworldinc.com) email: [parts@washworldinc.com](mailto:parts@washworldinc.com)

©2026 Washworld, Inc



# RMA Request

## Returned Materials Authorization

Customer: \_\_\_\_\_

Contact Person: \_\_\_\_\_

Address: \_\_\_\_\_  
\_\_\_\_\_

Telephone: \_\_\_\_\_

RMA Number: \_\_\_\_\_ (provided by Washworld)

Serial Number: # \_\_\_\_\_

Part #	Description
1.	
2.	
3.	
4.	

**NOTE:** Parts returned without an RMA number will not be credited and may be returned to the sender.



## TABLE OF CONTENTS



	Page
Carriage .....	1-2
Trolley .....	3-4
Key Reference Chart .....	4
Wall Mount Hanger Assembly .....	4
Spray Arch, Double Barrel Assembly .....	5
Tri-Color Foam, Flex Pass® .....	6
Energy Chains .....	7
Flags, Heat Strips, Belts / Belt Tensioners .....	8
Pump Station .....	9-11
Sound Deadening, Reclaim .....	11
Overhead Manifold .....	12
Spot Free Pump .....	12
Ultimate Control Cabinet (UCC) .....	13
RF Remote .....	14
Junction Boxes .....	14-15
Audio .....	16
Rear/Side Ultrasonic Sensor, Loading Eye Assemblies --	16
Undercarriage, Power Tower Wheel Cleaner® .....	17
Machine Covers .....	18
Foam 'n Flow® .....	18
HyperFlex™ .....	19
SpectraRay™ .....	20
G&G Lighting .....	20



	Page
Carriage, Trolley .....	21-22
Pump Station .....	22
Proximity Switch Chart .....	22



	Page
Pump Station .....	23
Spray Arch, Flex Pass Ultra .....	24

	Page
Interior / Exterior Lighted Instructional Signage .....	25-26
24VAC LED Instructional Signage .....	25
12VDC LED Instructional Signage .....	26



	Page
LumenDry™ .....	28
Dryer Lighting .....	28

Reverse Osmosis System .....	29
Chem Alert™ .....	30
Big Shot™ .....	30

Washworld Price List (Effective April 2026)	Page 31 to End
--	-------------------

### Parts Order-Receipt of shipment (Non-Equipment)

Washworld makes every effort to ensure that all orders are shipped complete and accurate. Customers are responsible for inspecting shipments promptly upon receipt.

### Reporting Timeline

Any incomplete or missing item(s) must be reported to Washworld **within ten (10) calendar days** of receipt of the order.

### Required Information

To initiate a missing item review, please submit the following documentation:

- **Packing Slip and/or Invoice**

A copy of the packing slip and/or Invoice identifying:

- Part number(s)
- Item description(s)
- Quantity of missing item(s)
- Delivery tracking number(s) for the shipment (e.g., FedEx, UPS, DHL).

### Submission

All documentation must be submitted to the Parts Department via Email: [Parts@washworldinc.com](mailto:Parts@washworldinc.com)



# 2026 PICTORIAL PARTS BOOK

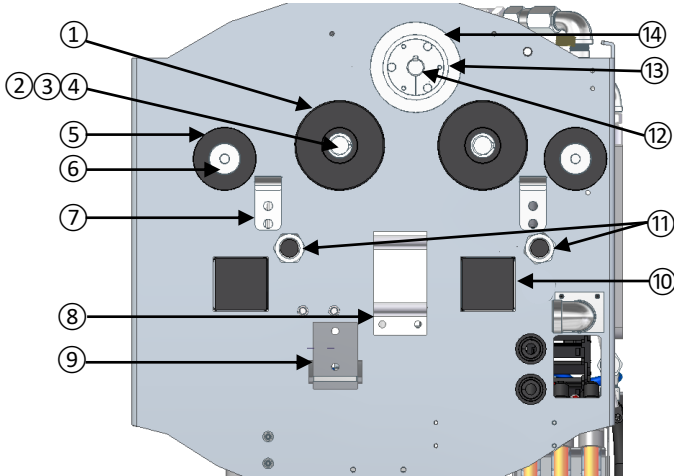


## GLOSSARY OF TERMS

Abbr.	Meaning	Abbr.	Meaning	Abbr.	Meaning
A	Amp	Hz	Hertz	SDS	Solution Delivery System
AWG	Wire gauge	LS	Left side. When viewing from the entrance end towards the exit of the bay.	RS	Right side. When viewing from the entrance end towards the exit of the bay.
B	Bottom	LP	Low Pressure	SST	Stainless Steel
BR	Brass	M	Meter	ST	Straight
BRKR	Circuit Breaker	MNPT	Male National Pipe Thread	SWVL	Swivel
DEG	Degree	NC	Normally Closed	T	Top or Tube
ENT	Entrance	NO	Normally Open	TB	Top Brush
EX	Exit	NP	Not Pictured	TCF	Tri-Color Foam
F/R	Front / Rear	NPT	National Pipe Thread	UC	Undercarriage
FTG	Fitting	P	Pole	UCC	Ultimate Control Cabinet
FSF	Free Standing Frame	PH	Phase	VAC	Volts Alternating Current
GPM	Gallons Per Minute	PSI	Pounds per Square Inch	VDC	Volts Direct Current
H	Hose	PVC	Polyvinyl Chloride	WM	Wall Mount
HP	Horsepower or High Pressure	SB	Side Brush	WP	Wash Progress

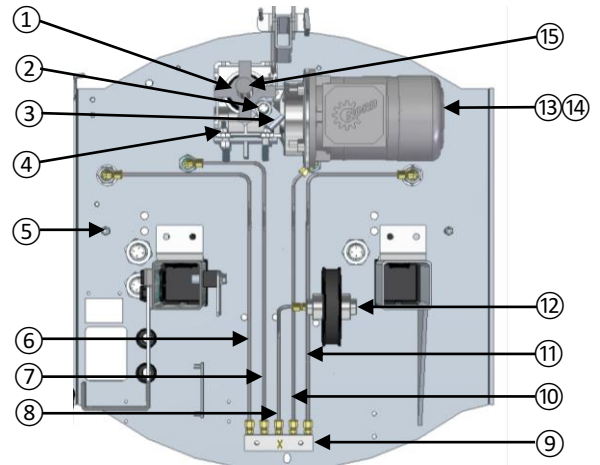


# 2026 PICTORIAL PARTS BOOK



## 1-A. CARRIAGE (OUTER RIGHT SIDE)

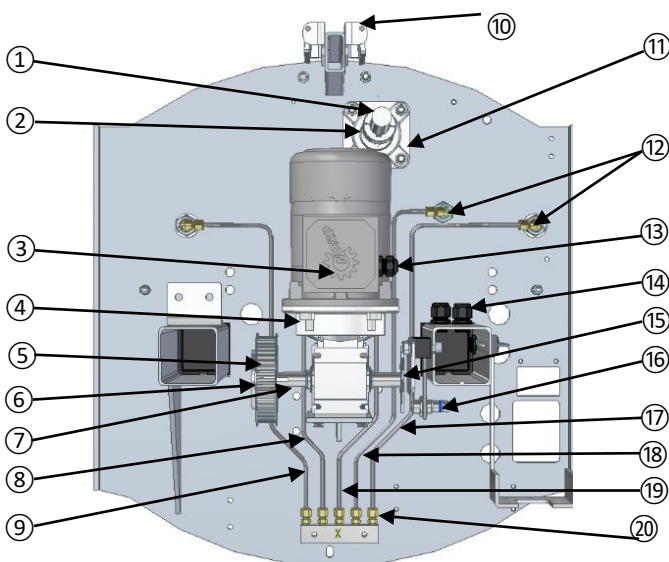
Item	Part #	Description
1	M618951	Roller, Idler
2	M598911	Shaft, Idler Roller
3	M638899	Washer 1/8 x 1"ID x 1-3/8" OD
4	12389	1" Snap Ring
	12385	1" Snap Ring, SST
5	M618939	Roller, Black
	M618889	Roller, White (NP)
	M598906	Shaft, Carriage Roller R3 (NP)
6	M638902	Washer 1/4 x 5/16 ID x 1-3/4" OD
7	M500002	Bracket, Safety (Over Rail)
8	M500000	Bracket, Safety (Under Rail)
9	21000065	Carrier bracket, e-chain
10	M688899	Cap, 3" x 3"
11	91915	Prox Switch 30mm
12	M598898	Shaft, Carr. Drive
13	8953	Bushing, Carriage Drive
14	8950	Drive Gear Carr./Trolley



## 1-B. CARRIAGE (INNER RIGHT SIDE)

Item	Part #	Description
1	M508908	Flag, Carr. Pulse
2	91912	Prox Switch 18mm Short
3	M508900	Bracket, Carriage Pulse
	33263	Cord, Prox, 5m, 90° (NP)
4	23010002	Gearbox, 25:1, 1", No-Pnt, Carr-Trly
5	65170001	Ball Stud, 5/16" thrd
6	M578933	Grease Line, Carr. RS Ex
7	21550003	Grease Line Idl. RS Ex
8	M578940	Grease Line Idl. Bearing
9	10790	Manifold Grease 5-hole
10	21550004	Grease Line Idl. RS Ent
11	M578934	Grease Line Carr. RS Ent
12	M508904	Idler Pulley Assembly
13	36905	Motor, Carr./Trolley, .50 HP
14	36907	Motor, Carriage .75HP (OBD)
15	M598898	Shaft, Carriage Drive RZR
	90991	Cylinder Gas 60lb (NP)

## 1-C. CARRIAGE (LEFT SIDE)



## 1-C. CARRIAGE (LEFT SIDE)

Item	Part #	Description
1	M598888	Shaft, Drive 1" x 6-1/2"
2	12092	Drive Coupling, 1"
3	36905	Motor .37kW, 1/2HP Carr/Trly
4	23010002	Gearbox, 25:1, 1", No-Pnt, Carr-Trly
5	8950	Drive Gear Carriage / Trolley
6	8952	Bushing, Trolley Drive
7	M598902	Shaft, Trolley Drive
8	21550002	Line, Grease, Carr, LS, ENT, Idle
9	M578932	Grease Line, Carr. LS ENT
10	M388922	Support Bar, Hinge
	21020003	Support Bar, Hinge, w/Loop
11	8907	Bearing, 4 Bolt 1"
12	23170-FB	Fitting, Comp 90°
13	35295	Strain Relief M20 x 1.5
14	35304	Strain Relief (6 Each)
15	M508907	Flag, Trolley Pulse
16	91910	Prox Switch 18mm
17	M578931	Grease Line, Carr. LS EX
18	21550001	Grease Line, Carr, LS, EX, Idle
19	M578930	Grease Line, Drive Shaft
20	22910-FB	Fitting, Comp ST
	M598899	Shaft, Drive 1" x 126" (NP)



# 2026 PICTORIAL PARTS BOOK



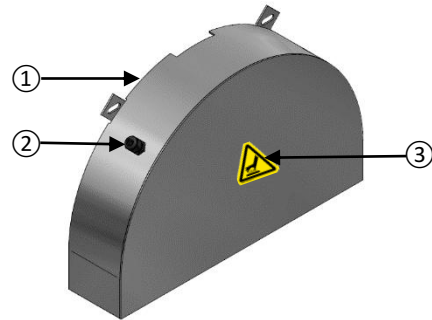
2-A. ROLLER HEAT SHROUD (SN# 56-1019 & 60-4715 and above)		
1	21080016	Shroud, Carr, Belt-Htr, CC, SST
2	35287	Strain Relief 1/4npt w/Nut Ins
3	82906	Decal: Burn Hazard/Hot Surface
	37793	Heater Strip 1x 22" 24VAC 80w (NP)
	50700035	Shroud Assy, CC, Rlr-Heat,

2-A. ROLLER HEAT SHROUD (SN# 56-1018 & 60-4714 and below)		
1	M379999	Shroud, Carriage Rollers (NP)
	WW6016	Cold Climate Roller Protection

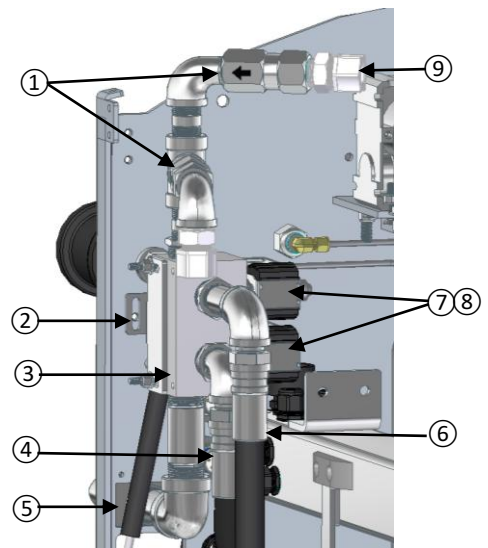
2-B. FLEX PASS/SPRAY ARCH CHANGEOVER		
1	62030-F	Valve Check 3/4, Viton, Female
2	21000052	Bracket, Mnt, Div-Vlv, Dema
3	46100004	Valve, Sol, DP, NO/NC, 1" NPT, 24VAC Dema
4	42812	Hose Assy 3/4 x 69-1/2" JIC x mnpt
	M358930	Manifold, Flex Pass (NP)
5	M508914	Bulkhead, Plate, E-Chain Carr, 3/4" NPT
	41190001	Bulkhead, Plate, 1" NPT
6	42811	Hose Assy, 3/4"x 180" 2000psi
7	34200003	Coil, Valve, 1"NC,24V,50-60HZ
8	34200004	Coil, Valve, 1"NO,24V,50-60HZ
	61931-C	Term. Connector (NP)
9	41410002	Comp Fitting 3/4" NPT x 3/4" Tube
	46260003	Kit, Repair, Stem, NC, DP, Dema
	46260004	Kit, Repair, Stem, NO, DP, Dema
	46260005	Kit, Repair, Piston, DP, Dema

2-C. TROLLEY		
1	M618889	Roller, White
	M618939	Roller, Black (NP)
2	M618950	Roller, Tension Trolley
3	36905	Motor, .50 HP Car./Tr./Arch
4	23010001	Gearbox, 50:1, 1-5/16", no-pnt, Arch
5	M598910	Shaft, Eccentric Trolley
6	M638899	Washer 1/8 x 1"ID x 1-3/8"OD
7	12389	Snap Ring 1"
	12385	1" Snap Ring, SST
8	M598903	Shaft, Trolley Roller

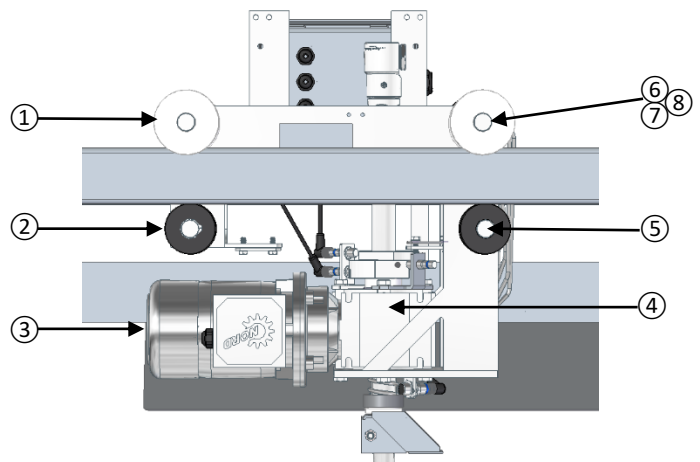
## 2-A. CARRIAGE ROLLER HEAT SHROUD (COLD CLIMATE)



## 2-B. FLEX PASS / SPRAY ARCH CHANGEOVER



## 2-C. TROLLEY



# 2026 PICTORIAL PARTS BOOK

RAZOR

RAZOR XR-7

RAZOR EDGE

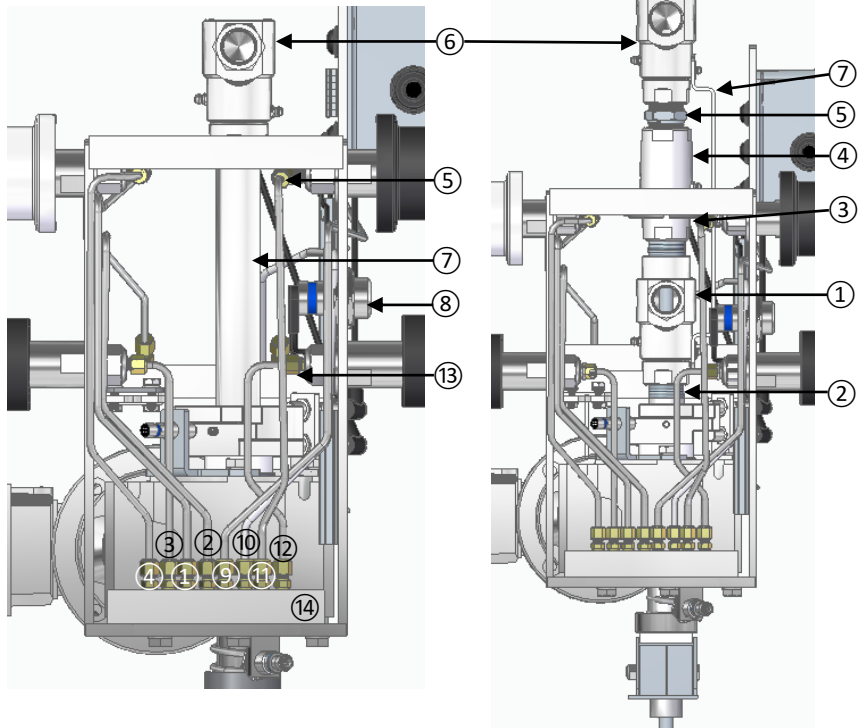
RAZOR DOUBLE BARREL

HYPER FURTE

3-A. RAZOR/XR-7 ASSEMBLY		
1	M578947	Grease Line Tr. LS ENT Bottom
2	M578945	Grease Line Tr. LS ENT Top
3	M578948	Grease Line Tr. RS ENT Bottom
4	M578946	Grease Line Tr. RS ENT Top
5	23170-FB	Fitting, Comp 90°
6	65391-P	Swivel, 90°, 1"
7	M598897	Shaft, Hollow R3
8	91914	Prox Switch, 30mm
9	M578942	Grease Line LS EX Top
10	M578944	Grease Line LS EX Bottom
11	M578941	Grease Line RS EX Top
12	M578943	Grease Line RS EX Bottom
13	22910-FB	Fitting, Comp st
14	10793	Manifold, Grease 8 Hole
DOUBLE BARREL TROLLEY ASSEMBLY		
1	41340001	Swivel, 90°, 1" SST, w/Coupling
2	23120002	Shaft, Hollow, 1-3/16" DIA
3	21020021	Collar, Split, Rtnr, w/-wld-Bolt
4	65389	Swivel, Straight, 1", HP, SST
5	21500014	Weldment, Tube, 1/2" T x 1" NPT
6	65391-P	Swivel, 90°, 1"
7	21020019	Bracket, Rtnr, Formed, SST

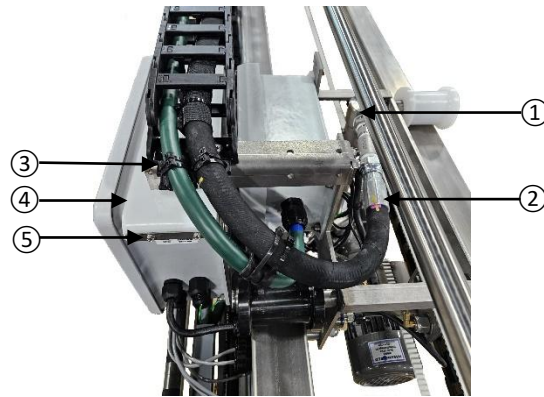
3-A. RAZOR/XR-7 TROLLEY ASSEMBLY

DOUBLE BARREL TROLLEY ASSEMBLY



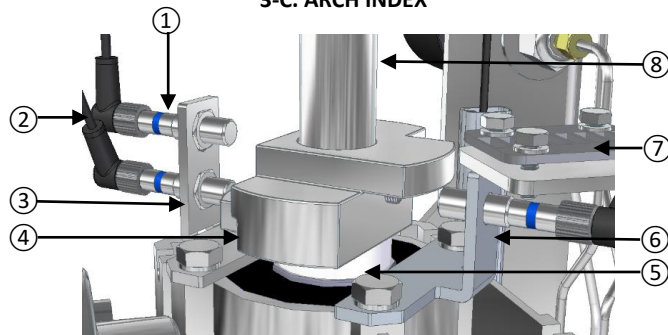
3-B. TROLLEY E-CHAIN		
1	65391-P	Swivel, 90°, 1"
2	42811	Hose, 3/4" x 180"
3	33382	Cable, 18-cond, 133" LG, Trly, RS
4	M538923	Guide, Trolley E-Chain
5	M508958	Bracket, E-Chain Guide RH
M508959	Bracket, E-Chain Guide LH (NP)	
WW6017	Trolley E-Chain Guide Retrofit (NP)	

3-B. TROLLEY E-CHAIN

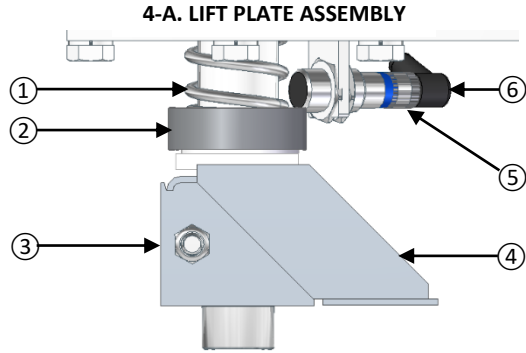


3-C. ARCH INDEX		
1	91909	Prox Switch, 12mm
2	33259	Cord, Prox, 2m, 90°
3	M308940-S	Bracket, Arch Double Prox
4	M638891	Index Cam SST
5	M658903	Washer UHMW RZR
6	M308941-S	Bracket, Arch Single Prox
7	21430003	Plate Clamp, Belt Tensioner
11802-2S	Key, Arch Gearbox (NP)	
8	M598897	Shaft, Hollow R3

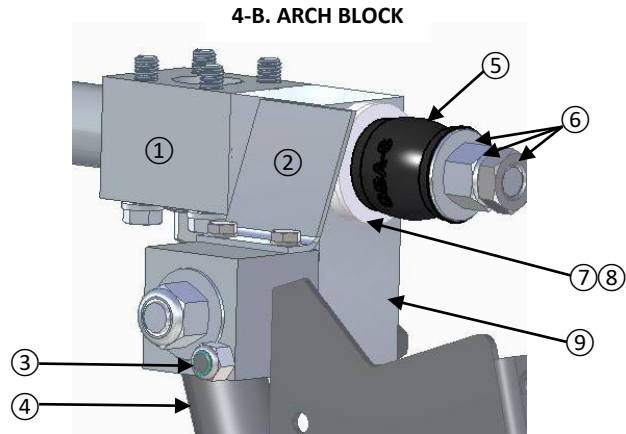
3-C. ARCH INDEX



4-A. LIFT PLATE ASSEMBLY		
1	90899	Spring, Comp.
2	M288916	Lift Block Assy
3	M658891	Block, Clamp
4	M328896	Lift Plate, Spray Arch
5	91910	Prox Switch 18mm (Impact)
6	33259	Cord, Prox, 2m, 90°

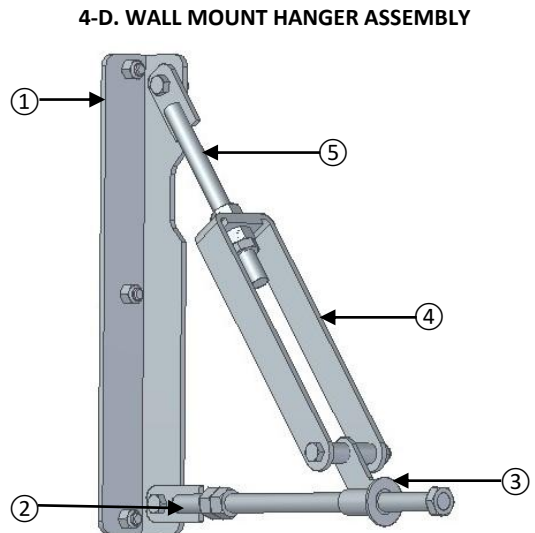


4-B. ARCH BLOCK ASSEMBLY		
1	M358901	Manifold, Top Arch
2	M500889	Angle Clip
3	M688890	Shear Bolt
4	M358906	Manifold, Side Arch
5	13976	Bumper, Comp
6	WW033	Fastener Kit, Arch Kit
7	M658901	Washer 1/4"
8	M658902	Washer 1/8"
9	M358900	Weldment, Arch VA
10715-R		VA Retaining Ring (NP)
10715		Bearing, 3/8" (NP)
WW007		Arch O-Ring Kit



4-C. RAZOR/XR-7 KEY REFERENCE CHART	
M688943	Key, Carriage Gearbox, 1/4 x 1/4 x 9-3/8"
M688943-4.68	Key, Carriage Drive Shaft, 1/4 x 1/4 x 4-11/16"
M688932	Key, Trolley Drive Shaft, 3/16 x 3/16 x 1-1/4"
M688943-2	Key, Trolley Gearbox Key, 1/4 x 1/4 x 1-1/2"
11802-2S	Key, Arch Gearbox, 5/16 x 1/4 x 2"
M688934	Key, Arch Block, 1/4 x 5/16 x 1-1/4"

4-D. WALL MOUNT HANGER ASSEMBLY		
1	M528918-S(*)(**)	Angle Wall Mount SS 14' to 16'9"
	M528931-S***	Angle Wall Mount 16'-9" to 18'
2	M389013-S*	Tie Rod 3/4 thd x 14-5/8 SST
	M389012-S**	Tie Rod 3/4 thd x 28-3/4 SST
	M389018-S***	Tie Rod 3/4 thd x 35-5/8 SST
3	M309077	Bracket Rail Wall Mount 3/4"
4	M308982-S	Bracket Rail Support SST
5	M389010-S*	Tie Rod 3/4 thd x 24-3/4" SST
	M389011-S**	Tie Rod 3/4 thd x 16-3/4 SST
	M389012-S***	Tie Rod 3/4 thd x 28-3/4 SST
M578901-S (**)(***)		Sleeve Mount Wall 16'1" to 18' (NP)
(*) = 14' - 16' wall mount		
(**) = 16' 1" - 16' 8" wall mount		
(***) = 16' 9" - 18' wall mount		



# 2026 PICTORIAL PARTS BOOK

RAZOR

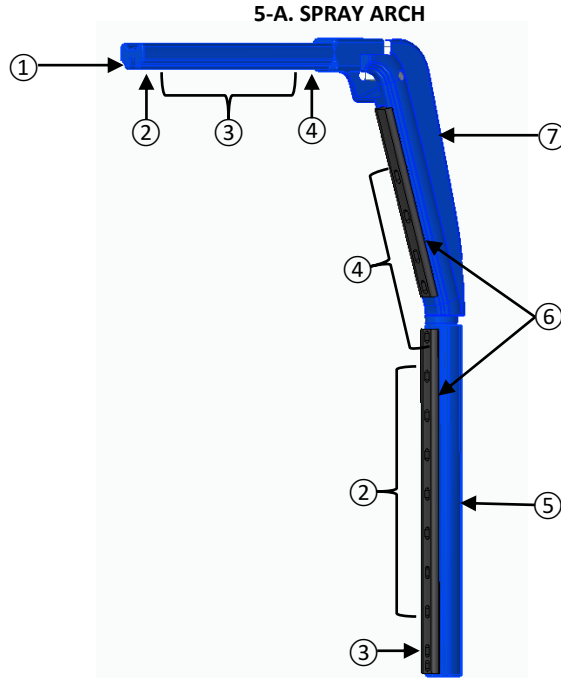
RAZOR HR-7

RAZOR EDGE

RAZOR DOUBLE BARREL

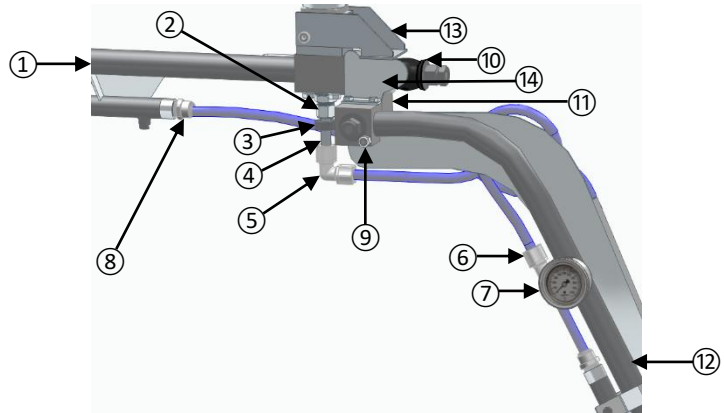
HYPER FURTE

5-A. SPRAY ARCH		
Spray arch parts for 21 nozzle configurations		
1	M542000-B	Cover, Top Arch Blue
2	62971-4M	1504 Nozzle
3	63045-4M	4004 Nozzle
4	62970-4M	1503 Nozzle
5	M542010-B	Cover, Lower Side Arch Blue
6	68895-A	Foam, Side Arch Face Set Black
7	M542005-B	Cover, Mid Side Arch Blue
REPLACEMENT NOZZLE KITS (21 nozzle arch configuration only)		
WW010-21	Nozzle Kit, 21 Noz. Config (Arch only)	
WW010-21-UB	Nozzle Kit, 21 Noz. Config (Arch + UC Nozzles)	
WW20022-21-R	Spray Arch, 21 Nozzle retrofit - (completely new arch, covers, foam, and nozzles)	
WW20022-21-R-E	Spray Arch, 21 Nozzle retrofit with existing parts (contains new side arch manifold, covers, foam, and nozzles)	



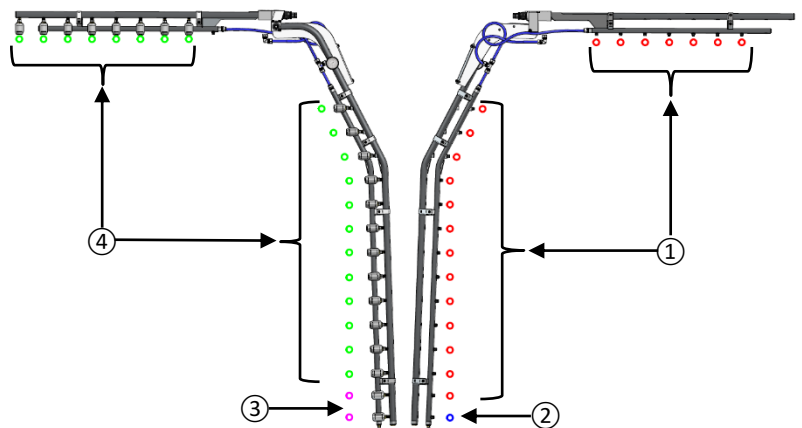
5-B. DOUBLE BARREL ARCH ASSEMBLY		
1	21160002	Weldment, Arch, Top, SST
2	41150006	Fitting, Adapter, 1/2" x 3/4" NPT, SST
3	21020018	Bracket, 1/2" Collar, SST
4	21500014	Weldment, Tube, 1/2" x 1" NPT
5	41410004	Fitting, Comp, Elbow, 1/2" T, nylon
6	41150007	Fitting, Comp, Tee, 1/2" T, nylon (NP)
7	42280001	Gauge, Press, 0-1000 psi, LIQ
8	23242-PB	Tube Fitting, 1/2" T x 1/2 npt nylon
9	61100001	Bolt, Shear, 3/8 x 4-1/2", 0.29", (red)
10	13976	Compression Bumper
11	21500015	Weldment, Manifold VA
12	21160001	Weldment, Arch, Side, SST
13	21080107	Plate, Lift, SST, Arch, DBL-BRL
14	21080106	Plate, Retainer, SST, Arch, DBL-BRL
WW033	Fastener Kit Arch (NP)	

5-B. DOUBLE BARREL ARCH ASSEMBLY



5-C. DOUBLE BARREL NOZZLES			
Item	Part#	Qty.	Description
1	62980-4M	21	Nozzle 2504 1/4" I-MEG
2	63045-4M	1	Nozzle 4004 1/4" I-MEG
3	63527	2	Nozzle Blastec 4.0 GPM
4	63530	20	Nozzle Blastec 3.0 GPM
50720006	DBL BRL Nozzle Replacement Kit		
21280017	Cover, Spray-Arch, lwr-Rear, Blue		
21280018	Cover, Spray-Arch, lwr-Fr, Blue		
21280019	Cover, Spray-Arch, mid-Rear, Blue		
21280020	Cover, Spray-Arch, mid-Fr, Blue		
21280021	Cover, Spray-Arch, top-Rear, Blue		
21280022	Cover, Spray-Arch, top-Fr, Blue		
22050008	Foam, Arch-Face, lwr-HP, Black		
22050009	Foam, Arch-Face, mid-HP, Black		
22050010	Foam, Arch-Face, lwr-LP, Black		
22050011	Foam, Arch-Face, mid-LP, Black		

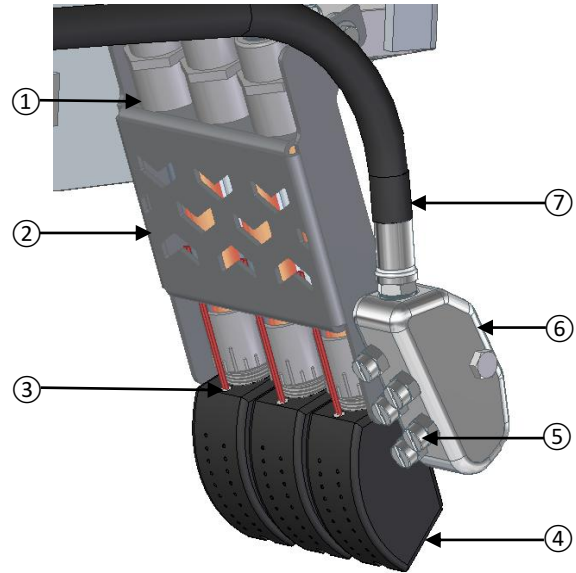
5-C. DOUBLE BARREL NOZZLES



6-A. TRI-COLOR FOAM		
1	43200001	Foamer Tube Assy
2	21000032	Bracket, Mount, TCF
3	59015	Heater, 9W Cartridge
4	95100-A	Foamer Head
	95098-A	Foamer Head, Anodized
	41400001	Tube Fitting, Dual 3/8" (NP)
	62046	Valve Check, 3/8" Tube Fitting (NP)
	90890	Mesh Plastic, Ultrafoam (NP)
	43210001	SST Foamer Material (NP)
6-B. FLEX PASS HEAD		
5	63300-4M	6510 Nozzle
6	95095	Foamer Head, Flex Pass
7	42813-40	Hose Assembly, 1/2" x 40-1/2"

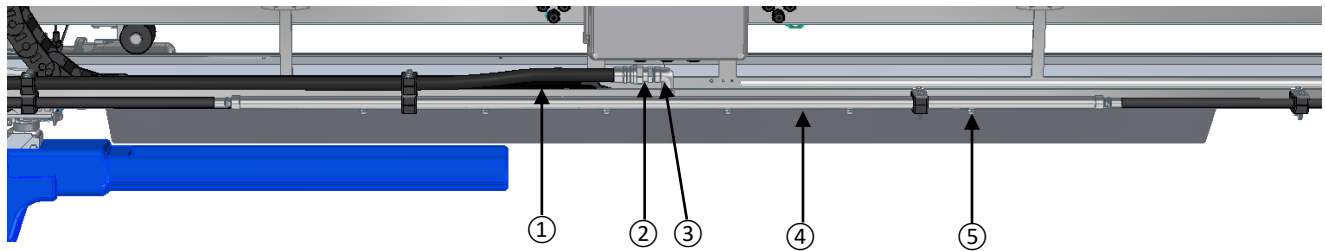
REPLACEMENT FLEX PASS NOZZLE KIT	
WW012-RZR	Nozzle Kit, Flex Pass (Nozzles for Flex pass manifold and pods only)

6-A & B. TRI-COLOR FOAM/FLEX PASS HEAD



6-C. FLEX PASS MANIFOLD		
1	42812	Hose Assy 3/4" x 69-1/2"
2	43446	Adapter, JIC 3/4"M x 1/2"M
3	66364-4S	Elbow Street 1/2" SST
4	M358930	Manifold, Flex Pass 1/2" x 72"
5	63047-4M	4006 Nozzle

6-C. FLEX PASS MANIFOLD

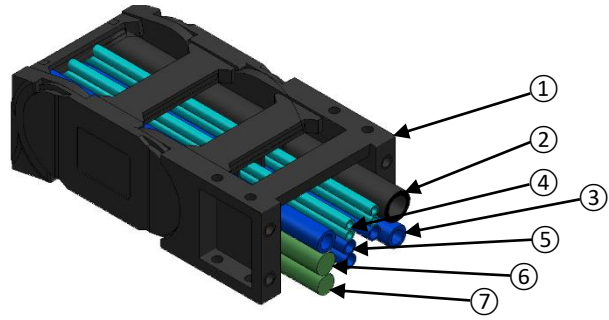


# 2026 PICTORIAL PARTS BOOK



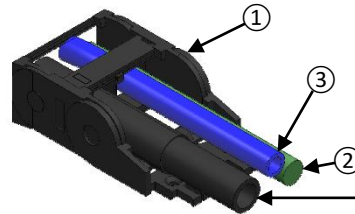
7-A. RAZOR: 40010006 (RS)/40010007 (LS) (complete assemblies)		
1	34210004	E-Chain, CRG, 199"LG, (Empty)
1.a	34220007	Link, E-Chain, Out-Sta, crg, RZR
1.b	34220008	Link, E-Chain, Ins-Pivot, crg ,RZR
1.c	33283-C	E-Chain Crosslink 450.10
1.d	34220011	Link, E-Chain, Divider, crg, RZR
1.e	34220006	Link, E-Chain, End-mnt, crg, RZR, male pivot
1.f	34220010	Link, E-Chain, End-Mnt, crg, RZR, fem pivot (NP)
2	41550012	Hose Assy, 1" x 211-1/2", 2000PSI, 1" MNPT(2)
3	40010003	Kit, 3/4T x 330"lg, Spot-Free-and/or-Solution
4	40010004	Kit, Tubing, E-Chain, TCF, RZR
5	40010005	Kit, Tubing, E-Chain, Foam-N-Flow, RZR
6	33381	Cable, 18-cond, 378"lg, crg
7	30020003	Cable, 25-cond, 378"lg, crg

7-A. RAZOR/RAZOR DOUBLE BARREL E-CHAIN

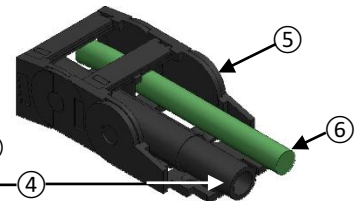


7-B. RAZOR DOUBLE BARREL TROLLEY: 40010019 (RS)/40010020 (LS) (complete assemblies)		
1	40010019	E-Chain Assy, RS, Trly, Dbl-Brl, RZR
1.a	33281	E-Chain Trolley 96.25", (Empty)
1.b	33281-L	E-Chain Linkage
1.c	33281-L	E-Chain Linkage, 27.07.200
1.d	33281-C	E-Chain Crosslink, 275.07
1.e	33281-D	E-Chain Divider, 260
1.f	34220002	Link, E-Chain, End-Mnt, Trly, male
1.g	34220003	Link, E-Chain, End-Mnt, Trly, female
2	33382	Cable, 18-cond, 133"LG, TRLY, RS
3	40010021	Kit, 3/4"Tube, Trly, Dbl-Brl, RZR
4	42811	Hose Assy, 3/4" x 180" 2000psi

7-B. RAZOR DOUBLE BARREL TROLLEY E-CHAIN

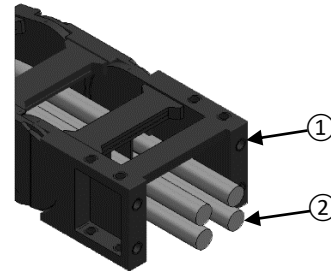


7-C. RAZOR/XR-7 TROLLEY E-CHAIN



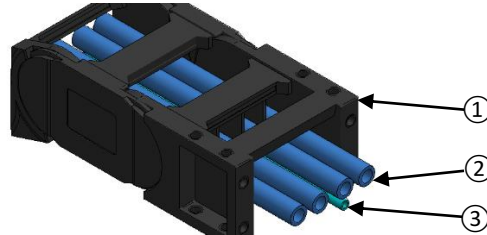
7-C. RAZOR/RAZOR XR-7 TROLLEY: 40010008 (RS)/40010009 (LS) (complete assemblies)		
E-chain assemblies use 33281 components		
5	40010009	E-Chain Assy, LS, TRLY, RZR
6	30020004	Cable, 18-cond, 133"LG, TRLY, LS

7-D. ON-BOARD DRYER E-CHAIN



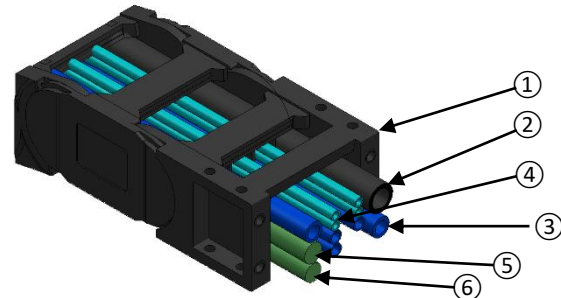
7-D. ON-BOARD DRYER E-CHAIN: 33278		
1	33278	E-Chain OBD, 53 Links, (Empty)
1.a	33283-L	E-Chain Linkage E4.56.01
1.b	33283-P	E-Chain Pivot E4.56.02.20
1.c	34220013	Link, E-Chain, Cross, OBD,RZR
1.d	34220012	Link, E-Chain, Divider, OBD,RZR
1.e	34220014	Link, E-Chain, End-Mnt, OBD,RZR
2	33370	Cable, 4-con-8awg PVC OBD CABLE (per ft)

7-E. RAZOR/RAZOR DOUBLE BARREL HYPERFLEX E-CHAIN



7-E. RAZOR/RAZOR DOUBLE BARREL HYPERFLEX: 40010010 (complete assemblies)		
1	34210013	E-Chain Assy, Hyprflx, RZR (Empty)
1.a	33283-L	E-Chain Linkage E4.56.01
1.b	34220001	Link, E-Chain, Ins-Pivot, Hypflx
1.c	33283-C	E-Chain Crosslink 450.10
1.d	33283-D	E-Chain Divider 401
1.e	33283-E/F	E-Chain End Mount
2	41570003 or 41570004	3/4" Solution Tubing Sold by Full Spool: 100' = 41570003 or 250' = 41570004
3	59910-3/8	3/8" Air Tubing Sold By Full Spool: 100'

7-F. RAZOR XR-7 E-CHAIN



7-F. RAZOR XR-7: 40010001 (RS)/40010002 (LS) (complete assemblies)		
1	33283	E-Chain, Carriage, (Empty)
1.a	33283-L	E-Chain Linkage E4.56.01
1.b	33283-P	E-Chain Pivot E4.56.02.200
1.c	33283-C	E-Chain Crosslink 450.10
1.d	33283-D	E-Chain Divider 401
1.e	33283-E	E-Chain End Mount
2	42815	Hose Assy, 3/4" x 211-1/2" 2000PSI
3	40010003	Kit, E-Chain, Carr, 3/4" Spot-Free-Tube, 27' 6" LG
4	40010004	Kit, Tubing, E-Chain, Crg, TCF, RZR
5	33381	Cable, 18-cond, 378" lg, CRG
6	30020003	Cable, 25-cond, 378" lg, CRG

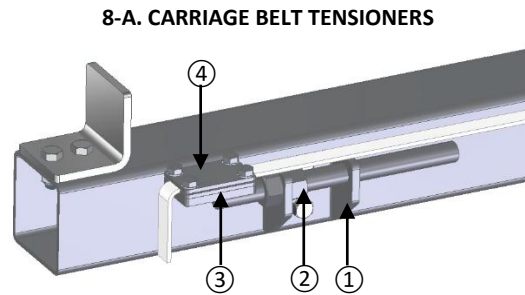


# 2026 PICTORIAL PARTS BOOK



RAZOR® HEAT STRIPS (COLD CLIMATE)		
Component(s)	Part Number	Description
Carriage Rails	37801	Heat Strip, 1" x 300", 450w (1 per rail, 2 total)
Trolley Rails	37791	Heat Strip, 1" x 123", 185w (1 per rail, 2 total)
Carriage Belt Shrouds	37793	Heat Strip, 1" x 22", 80w (1 per shroud, 2 total)
Side Sonars	37789	Heat Strip, 1" x 3", 7.5w (1 per housing, 2 total)
Loading Eye Housings	M388871-A	Heat Strip w/bracket, 7.5w (1 per eye, 4 total)
	37789	Heat Strip, 1" x 3", 7.5w (heat strip only, no bracket)
Undercarriage Eye Housings	M388871-A	Heat Strip w/bracket, 7.5w (1 per eye, 2 total)
	37789	Heat Strip, 1" x 3", 7.5w (heat strip only, no bracket)

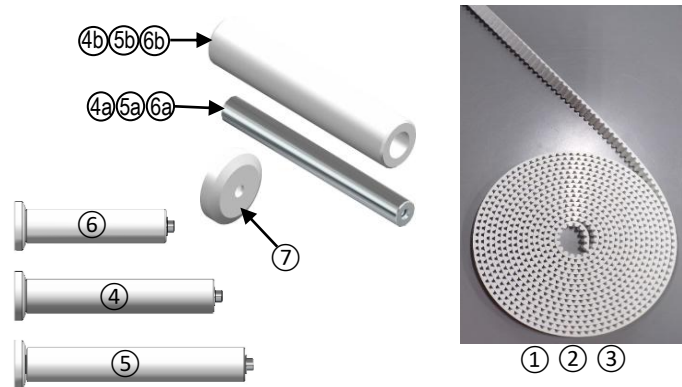
8-A. CARRIAGE BELT TENSIONERS		
1	21430001	Mount, Tensioner
2	21430002	Slide, Tensioner
3	21430003	Plate, Clamp
4	21430004	Plate, Backer
50480002		Update, Carr-Belt-Tens, PRO-RZR



8-B. BELTS/ENERGY CHAIN ROLLERS		
1	9969-K	Belt, 396" OBD
2	9970-K	Belt, 268" Trolley
3	9971-K	Belt 15mm x 360" Carriage
4	10106-3A	Roller Assembly, E-Chain, 9-7/8", FSF
5	10106-2A	Roller Assembly, E-Chain, 10-7/8", FSF OBD
6	10106-1A	Roller Assembly, E-Chain, 7-1/8", WM
21020004		Bracket, Extension E-Chain Roller (NP)

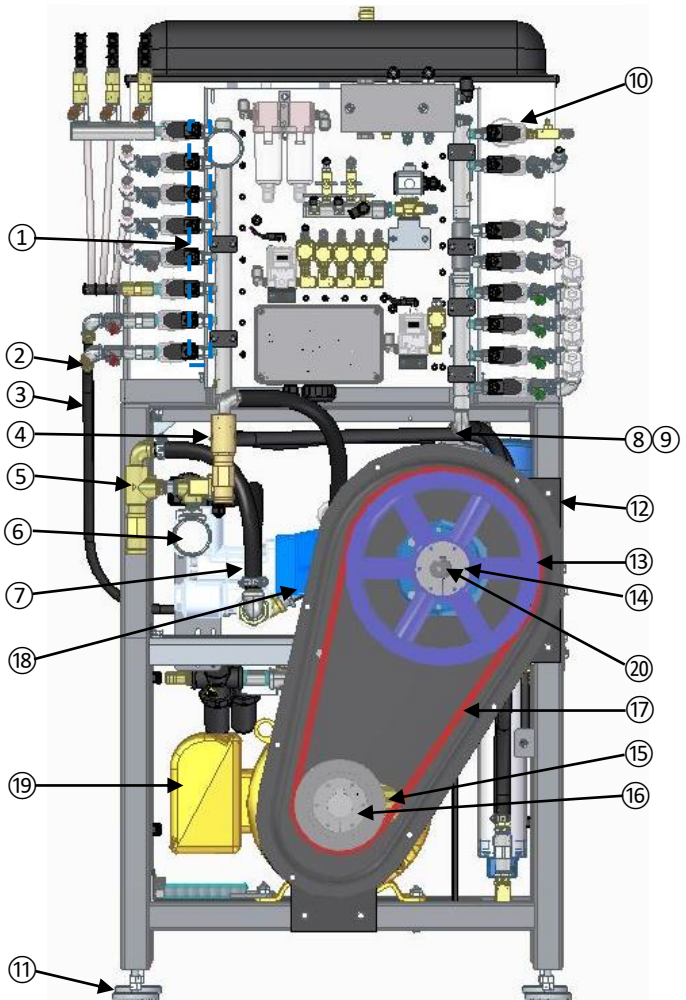
8-B & C. BELTS / ENERGY CHAIN ROLLERS

8-C. ENERGY CHAIN ROLLER COMPONENTS		
4a	23180004	Roller, Suprt, Shaft, SS, 10106-3A
4b	23180007	Roller, Suprt, RLR-CASE, 10106-3A
5a	23180003	Roller, Suprt, Shaft, SS, 10106-2A
5b	23180006	Roller, Suprt, RLR-CASE, 10106-2A
6a	23180002	Roller, Suprt, Shaft, SS, 10106-1A
6b	23180005	Roller, Suprt, Rlr-Case, 10106-1A
7	23180008	Roller, Suprt, End-Stop, UHMW



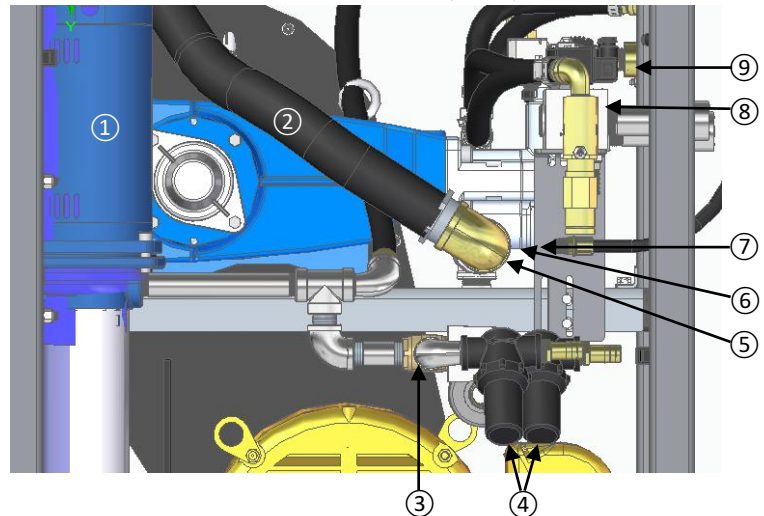
9-A. PUMP STATION		
1	61939-C	Cord, Coil, 2-Cond.
2	41550001	Hose Assy., 3/8" x 30-1/2"
3	41550002	Hose Assy., 3/8" x 32-1/2"
4	46130002	Valve, Regulator, Grease, LP Spring
5	46130001	Valve, Regulator, Grease, HP Spring
46260002 Kit, Repair, Regulator, GP (NP)		
6	24000	Gauge, 0-2000psi
7	59919-3/4	Hose, 3/4"300 psi (per ft)
8	46100002	Valve, Sol. NO 1/2"
9	34440001	Conn, Sol-Vlv, 2-Cond, 54"Lg
10	91993	Sensor, Main Tank High Level P&F
11	13940-S	Leveling Pad, SST 1/2" thd
59914-1/2 Hose, 1/2", 300 psi (per ft)		
High Pressure Pump Drive (208, 480, and 575 VAC Versions)		
M538920 Belt Guard, Outer (NP)		
12	M538921	Belt Guard, Inner
13	10932-3SK	Sheave, Upper
14	11408-SK	Bushing, Upper
15	10917-3SD	Sheave, Lower
16	11421-SD	Bushing, Lower
17	9956-3BX	Belt, 67", 3V Banded
20	61590	Key, CAT Pump Shaft
380-415 VAC Versions (Same upper sheave and bushing as above)		
15	10934-3SK	Sheave, Lower
16	11421-SK	Bushing, Lower
17	9957-3BX	Belt, 68" 3V Banded
High Pressure Pump		
18	61589	Pump, CAT 3535
61589-S-KIT Seal Kit, CAT 3535 (NP)		
43949 Oil, CAT, 2.5 Gal. (NP)		
61540 Pump, General HTCK40 (NP)		
High Pressure Pump Motors		
19	36919-A	Motor, 25HP 284T 208/230/460V
	36929	Motor, 25HP, 575VAC (NP)

9-A. PUMP STATION (SN# 60/61-3050 and above)



9-B. PUMP STATION (lower)		
1	42010001	Pump, 2HP, 16ST, 208V, 60Hz
	42010002	Pump, 2HP, 16ST, 380V, 50Hz (NP)
2	41550005	Hose, Corr. 2" x 16"
3	46100009	Valve, 3-Way, NC
	34200005	Coil, Valve, 24VAC
4	42230002	Filter, SST-Mesh, 3/4"fnpt, plstc
5	41000001	Elbow,Pipe,1-1/2"NPT,BR
6	21500004	Manifold, 1-1/2" x 8", w/2 holes
7	46020001	Valve, Check 3/8", SS
62063 Valve, Check 1/4", F x F (NP)		
8	46100004	Valve, Sol, NO/NC, 1", 24VAC
9	62196-24	Valve Sol, 1/2" NC, 454P

9-B. PUMP STATION (lower)



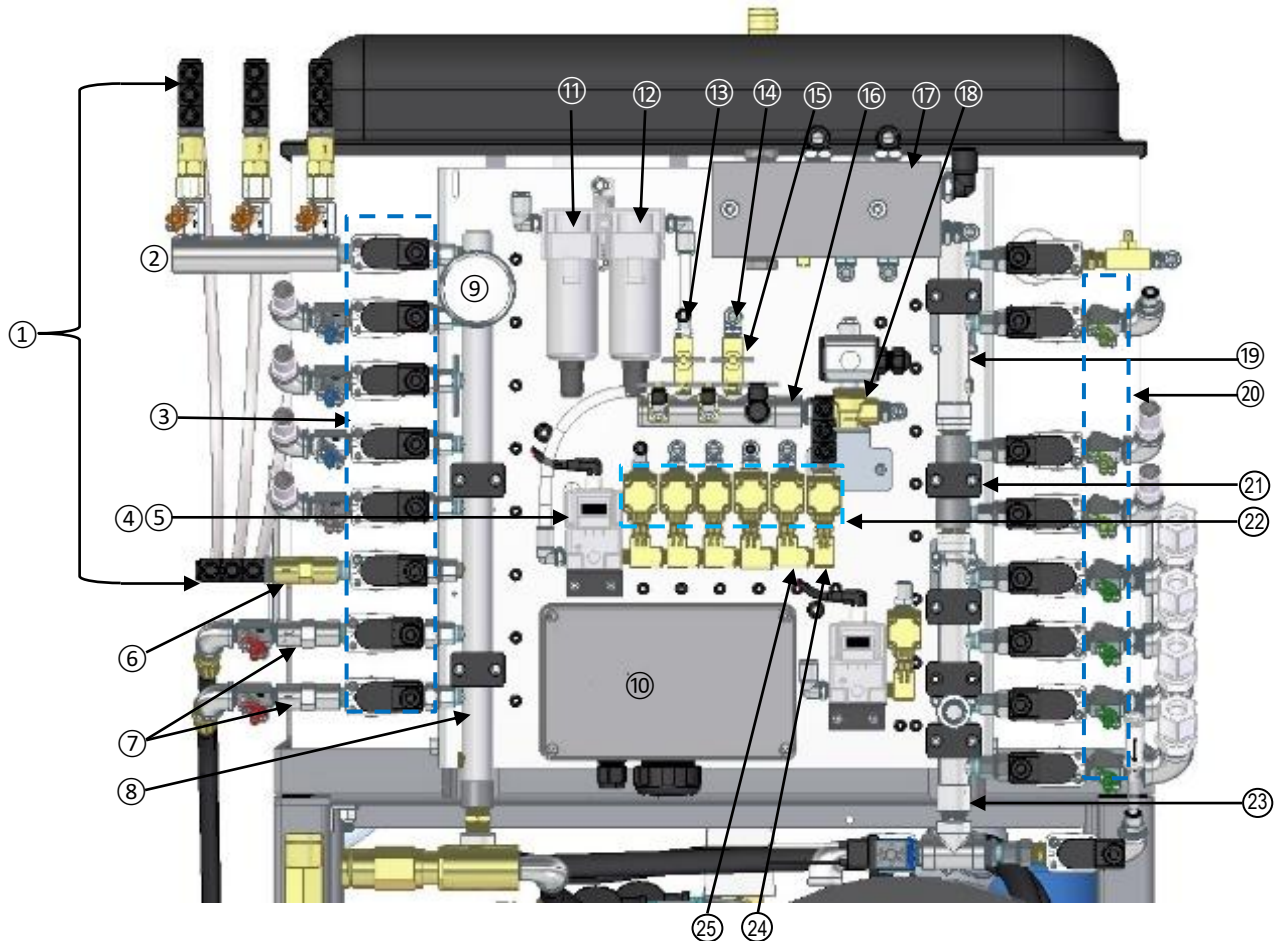
# 2026 PICTORIAL PARTS BOOK



10-A. PUMP STATION PANEL		
1	41400005	Tube Fitting, Triple, 3/8
2	M358944	Manifold, 3-hole, TF
3	61915	Valve, 3/8" Dema SS NC
	61929	Coil, Danfoss (NP)
	61930	Valve, Danfoss 3/8" NC (NP)
	61952	Valve, Sol 1" Dual Port (NP)
	61952-KIT	Repair Kit, 1" DP NO/NC Valve (NP)
	61953	Stem, NO DF (NP)
	61954	Stem, NC DF (NP)
4	25205	Regulator, Air, El-Pneu, 4-20ma
5	33250	Cable, Air Regulator, El-Pneu
6	62026	Valve Check, 3/8, BR
7	62035	Valve Check, 3/8" SS
8	M358948	Solution Manifold, 9 Hole
9	23936	Gauge, 0-300psi
10	30010001	Enclosure Assy., Pump Panel
11	25035	Air Filter Hsg + Filter, 5 Micron
	46360001	Filter, 5 Mic (NP)
12	25036	Air Filter Hsg + Filter, 3 Micron
	46360002	Filter, 3 Mic (NP)
13	23225-PB	Tube Fit Swivel, 1/4" Tube x 1/4" NPT

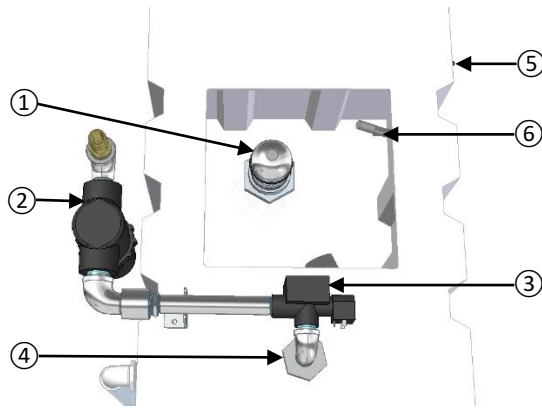
14	23237-PB	Tube Fit Swivel, 3/8" Tube x 1/4 NPT
	62062	Valve Check, 1/4" MxM 5000psi (NP)
15	62052	Valve Needle 1/4" BR
16	21500017	Manifold, 5-Hole 1/2", Air
17	21500003	Manifold, Mxg, FNF, PVC
18	62192-24	Valve Sol 3/8" NO (Weep)
19	21500001	Manifold, 3-Hole, FNF, SS
DEMA or HFI INJECTORS (Dema shown)		
20	43300004 or 62369-X	.057 Inj. (Red)
	43300003 or 62344-X	.070 Inj. (Orange)
	43300005 or 62375-X	.083 Inj. (Gray)
	43300006 or 62376-X	.086 Inj. (Blue)
	43300009 or 62377-X	.098 Inj. (Light Green)
	43300008 or 62379-X	.083 Inj. (Dual Port)
	43300007 or 62380-X	.125 Inj. (Green)
	43090001	Kit, Rebuild, Injector, Dema (NP)
	62304	Metering Tip Kit (NP)
21	21500008	Manifold, Solution, 2-Hole, BIGSHOT
22	46100001	Valve, Sol. 1/4" NC
23	21500002	Manifold, 4-Hole, HYPRFLX
24	66376-4B	Elbow Street 1/4", BR
25	66079-4B	Tee Street 1/4", BR

10-A. PUMP STATION PANEL (SN# 61-5440 and above)



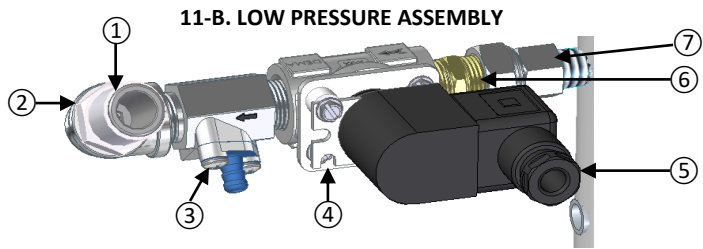
11-A. MAIN TANK		
1	64991	Strainer, 2"
2	42230001	Filter, 1" w/screen
3	61941	Valve, Sol. 3/4" NC PL
	46260006	Kit, Repair, Diaph, 3/4"-vlv, DEMA
	46210001	Valve, Float, 1", Plstc, XR-7 (NP)
4	66576-TT	Bulkhead, 3/4" PVC
5	M348894	Tank, Poly
6	29908	Low Level Float Switch, 1/4"
	91992	Sensor, 24VDC, High Level Switch (NP)
	61939-C	Cord, DIN 51" (NP)
	41600001	Pipe, PVC, 1" (NP)

11-A. MAIN TANK



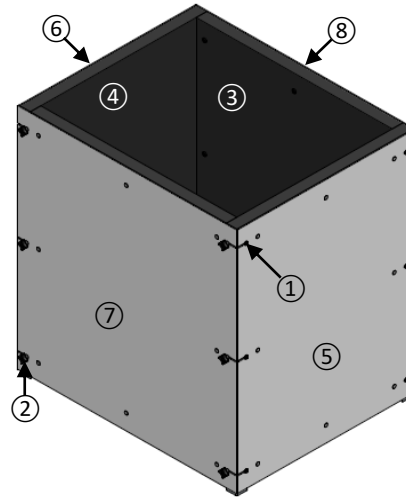
11-B. LOW PRESSURE ASSEMBLY		
1	41150003	Fitting, Tube 3/8"
2	66293-4S	Elbow Pipe, 3/8" SS
3		Injector (refer to chart 10-A)
	61912	Kit, Rebuild, Sol-Vlv-Bank
4	61915	Valve, 3/8" Dema SS
	34200002	Coil, Valve, 24V, 50-60Hz, Dema
5	61931-C	DIN Connector & Cable
6	65944-4B	Nipple, Hex 3/8" BR
7	43442-S	Swivel, Ftg 3/8"

11-B. LOW PRESSURE ASSEMBLY



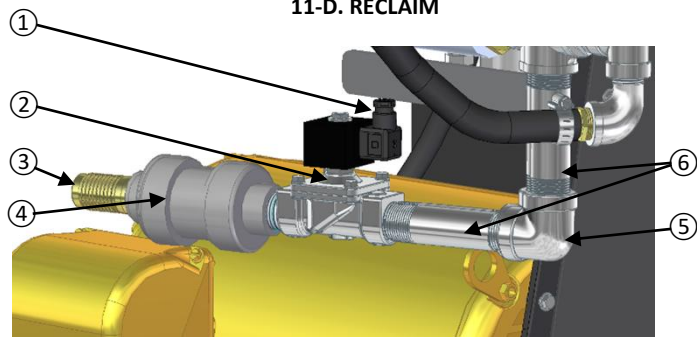
11-C. SOUND DEADENING		
1	78488	Well Nut, 1/4" Rubberized
2	65030001	Knob, 1/4", 1" stud
3	22050022	2" convoluted foam, 37" x 43"
4	22050023	2" convoluted foam, 33-1/2" x 43"
5	21250004	ABS Panel, white, 33-1/2" x 44", right
6	21500003	ABS Panel, white, 33-1/2" x 44", left
7	21500002	ABS Panel, white, 41" x 44", front
8	21500001	ABS Panel, white, 41" x 44", rear
	78480	Rivet, Nylon, Interlocking Shank
	65210003	Ratcheting Push Rivet, 1/4"

11-C. SOUND DEADENING



11-D. RECLAIM		
1	61931-R	Terminal Cord, DIN 63"
2	62496	Valve, Sol. 1" NC SS 24VAC
3	62041	Valve, Ball Check 1" Union PVC
4	67028-MHB	Hose Barb 1-1/2"H x 1mnpt brass
5	66299-4S	Elbow Pipe 1" 304 SS
6	65904-K4S	Nipple 1" x 5" 304 SS

11-D. RECLAIM



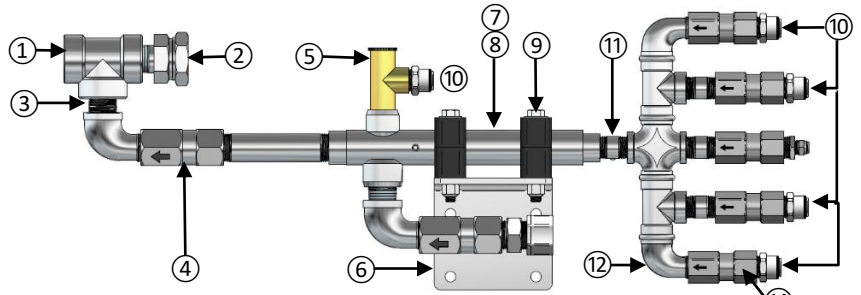
RECLAIM PARTS INSIDE MAIN TANK (NP)		
65907		Nipple, Close 2" PVC
66387-4N		Elbow, Street 2" Nylon
64991		Strainer, 2"
62045		Valve, Check Ball 2" PVC Union



### 12-A. XR-7 OVERHEAD MANIFOLD

1	41050001	Tee, 3/4" NPT, Close, SCH80
2	41430001	Fitting, Hyd, 3/4FM x 3/4NPT
3	65903-4S	Nipple, Close 3/4" SS
4	62030-F	Valve, Check 3/4"
5	62071	Valve, Relief 150 PSI
6	21000009	Bracket, Mnt, OHD-manf, SS
7	M358986	Manifold, Foamer OH
8	43210001	Pad, Mxg-Matl, 1/4,SST (NP)
9	73916	Clamp, Tube 1"
10	23242-PB	Tube Fit, 1/2T x 1/2NPT Nylon
11	M358920	Nipple, Foamer
12	M358951	Weldment, Manifold, OH
13	41410002	Fitting, 3/4T x 3/4"NPT, White
14	62031	1/2" Check Valve SS

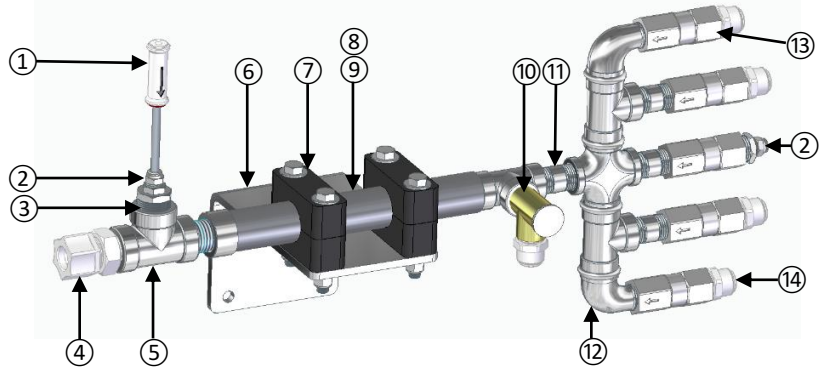
12-A. XR-7 OVERHEAD MANIFOLD (SN# 55-1111 and above)



### 12-B. RAZOR OVERHEAD MANIFOLD

1	62046	Valve Check, 3/8" Tube Fitting
2	22914-PB	Tube Fit Male 1/4T x 1/4npt
3	66599-S	Bushing, 3/4" x 3/8"
4	41410002	Fitting, 3/4T x 3/4"NPT, White
5	41050001	Tee, 3/4", SCH 80 SST
6	21000009	Bracket, OH Manifold Mount
7	73916	Clamp, Tube 1"
8	43210001	Pad, Mxg-Matl, 1/4, SST (NP)
9	21500006	Manifold, OH Foamer
10	62071	Relief Valve 150psi
11	M358920	Nipple, Foamer
12	M358951	Manifold, OH
13	62031	Check Valve 1/2"
14	23242-PB	Tube Fitting 1/2T x 1/2npt nyl

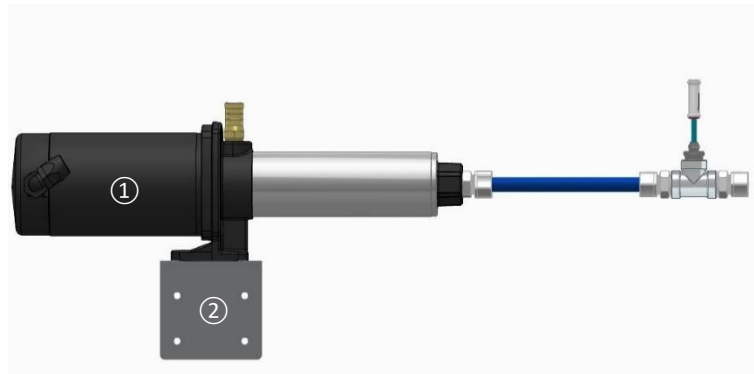
12-B. RAZOR OVERHEAD MANIFOLD (SN# 60-5589 and above)



12-C. SPOT FREE PUMP (shown with Blowdown)

### 12-C. SPOT FREE PUMP

1	61189	Pump, Sta-Rite 1HP 1PH Spot Free
	61050-50	Pump, Sta-Rite 1HP 1PH Spot Free, 50Hz (international)
2	M307821-S	Bracket Mount, Spot Free

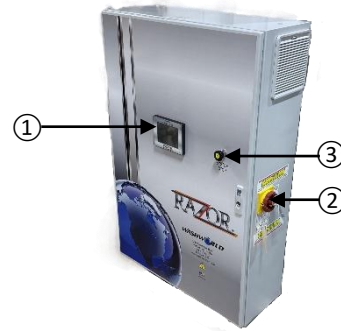


# 2026 PICTORIAL PARTS BOOK



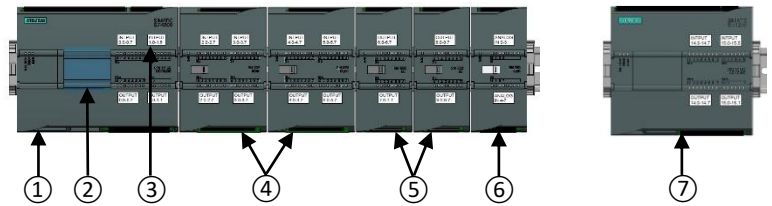
13-A. UCC		
1	3682	HMI Touch 5.7
	3682-F	HMI, Face Only
	3682-B	HMI, Back Module, No Screen (NP)
33290001 USB stick (NP)		
2	32110001	Disconnect, Switch, 600V, 100A, 3P
SN# 60/61-2999 AND BELOW		
3	30005	Switch, Sys Stop Button (AB)
	30098	Contact, NC (AB) (NP)
SN# 60/61-3000 AND ABOVE		
3	30007	Switch, Sys Stop Button (SQD)
	30093	Contact, NC (SQD) (NP)
TEMPERATURE PROBES AND CORD (NP)		
	91985	Temperature Probe
	33255	Cord, Temperature 50'

13-A. ULTIMATE CONTROL CABINET (UCC)



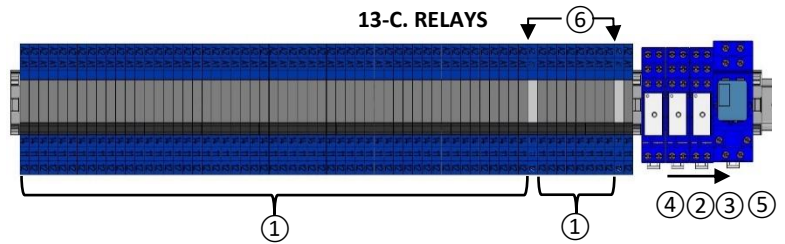
13-B. CONFIGURATION FOR SN# 60/61-3000 AND ABOVE		
1	3705	PLC 1 (Used on S/N 60-3000 to 60-4699) & (5700 & above) (XR-7 ONLY)
	33020001	PLC 1 (Used on S/N 60-4700 to 5699)
2	3707	Board, Comm. Siem. RS485
3	3750	Memory Card (programmed specific) (NP)
4	3720	I/O Module, SM1223
5	3725	Card, Output SM1222
6	3730	Card, Analog SM 1231
7	3710	PLC 2, Siem. CPU 1214

13-B. PLC/COMPONENTS



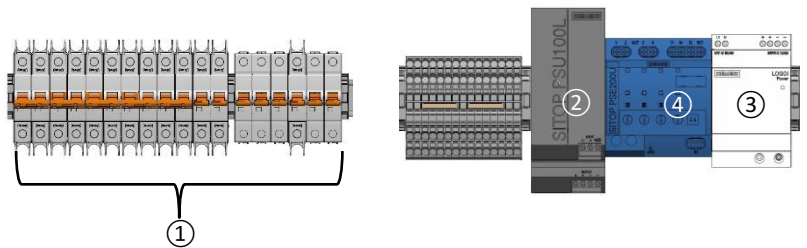
13-C. CONFIGURATION FOR SN# 60/61-3000 AND ABOVE		
1	10040-FI	Relay & Socket 24VDC
2	10043-FI	Relay, Base, 24VDC
3	10042-FI	Relay, Cube, 24VDC
4	30928	Relay, Cube, Sys. Stop 24VDC
5	30929	Relay, Sys. Stop, Base, 24VDC
6	10041-FI	Relay & Socket, 24VDC Solid State

13-C. RELAYS



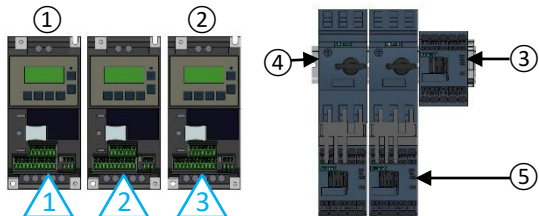
13-D. CIRCUIT BREAKERS/POWER SUPPLIES		
CONFIGURATION FOR SN# 60/61-3000 AND ABOVE		
1	31640001	Circuit Breaker 4A 2P
	31650001	Circuit Breaker 10A 2P
	31660001	Circuit Breaker 13A 2P
	31590003	Circuit Breaker 10A 1P
	31580001	Circuit Breaker 4A 1P
	31590004	Circuit Breaker 7A 1P
	31590005	Circuit Breaker 8A 1P
	31590006	Circuit Breaker 6A 1P
2	37450	Power Supply, 24V
3	37455	Power Supply, 12V
4	32050001	Module, 4-Chan, 24V

13-D. CIRCUIT BREAKERS/POWER SUPPLIES



13-E. VFD/CONTACTOR/OVERLOADS		
RAZOR CONFIGURATION WITH SN# 60/61-3000 AND ABOVE		
1	31410001	VFD, 1HP, Siemens **
2	31400001	VFD, 1/2HP, Siemens **
3	31200001	Contact, 12A (Heat)
4	36440	Circuit Breaker, 9A-12.5A
5	29097	Contact, 9A 24VAC

13-E. VFD/CONTACTOR/OVERLOADS



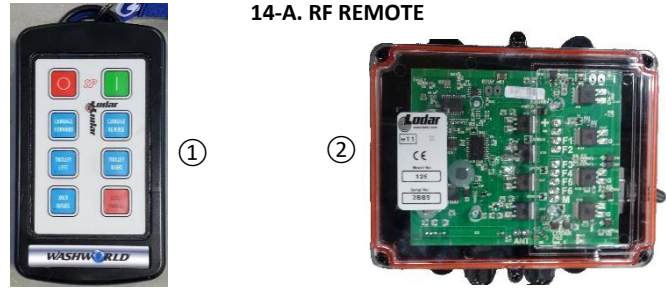
\*\* NOTE: Identification of the VFD and its operation needs to be determined when ordering. Refer to 1 carriage, 2 trolley or 3 arch drives when ordering 31400001 or 31410001, VFD for proper programming.



# 2026 PICTORIAL PARTS BOOK



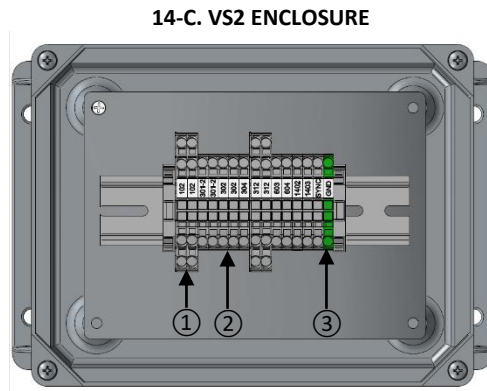
14-A. RF REMOTE (RAZOR STANDARD)		
<i>NOTE: The RF remote is only available with serial number 60/61-1000 and above. Call with serial number before ordering.</i>		
1	92010	Remote Transmitter
2	92011	Receiving Unit



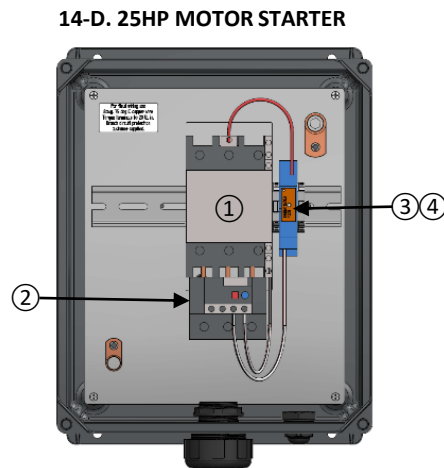
14-B. MACHINE CONTROL BOX (XR-7 STANDARD)		
1	30007	Switch, System Stop
2	22060060	Push Button Momentary Flush
3	22060061	Key Switch
4	22060063	Joystick-Encl, 2-Button, Mnt-Flush
5	22060064	Joystick-Encl, 2-Button-Boot, Clear
6	22060067	Boot, Push Button
30093	Contact Block, NO (Arch Rotate, Key Switch, Left/Right, FWD/Rev) (NP)	
30093-Base	Contact Block, Mount Base (NP)	
30000	Key, Replacement (NP)	
33801	Panel, Enclosure (NP)	
WW5540	Joystick Control Assembly	



14-C. VS2 ENCLOSURE		
1	10008-WG	Term. Block 4P
2	10007-WG	Term. Block 2P
3	10009-WG	Term. Block 2P Ground
92079-L		Amp, Telco Dual Channel (NP)
WW6160	Enclosure Kit, VS2 (Includes terminals, enclosure, and back plate)	



14-D. 25HP MOTOR STARTER		
1	29091	Contact, 80A (Tele)
	29095-24	Contact, 50A 24VAC, 480V (Tele)
	28994	Contact, 32A 24V 50/60Hz, 575V (Tele)
2	29396	Overload, 63-80A (Tele)
	29405	Overload Relay, 37-50, 480V
	29402	Overload Relay, 23-32A, 575V
3	30907	Relay, Cube 10A 24VAC
4	30995	Relay Base, 5 blade
WW20036-CE		Enclosure Assy CE

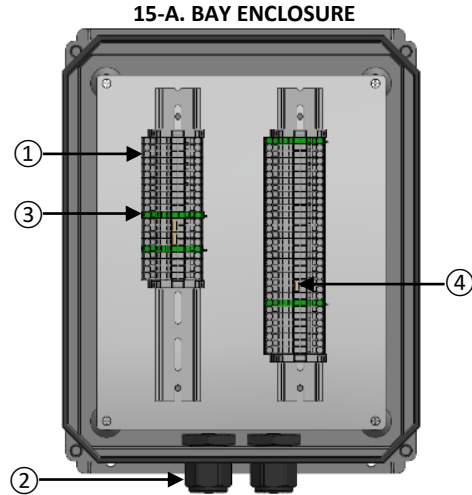


# 2026 PICTORIAL PARTS BOOK



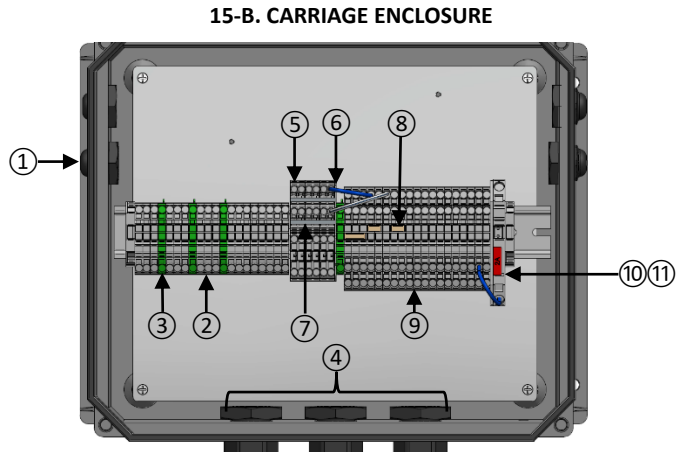
## 15-A. BAY ENCLOSURE

1	10007-WG	Term. Block 2P
2	35306	Strain Relief (2 Each)
3	10009-WG	Term. Block 2P Ground
4	10015-WG	Jumper, 2P
92085		Horn, 110VAC (SN# 60/61-0999 and below only) (NP)
33420001		Buzzer, Audio, Pos-Prompt, 24VDC (NP)
92086		Horn, 220VAC (International) (NP)
30010004		Bay Enclosure Assembly



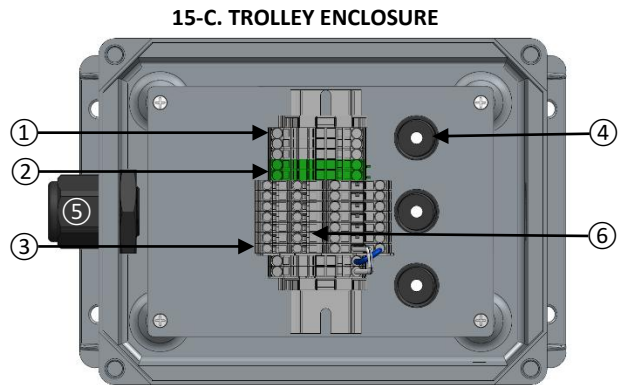
## 15-B. CARRIAGE ENCLOSURE

1	35304	Strain Relief 1/2 .31-.56 Cord
2	10007-WG	Term. Block 2P
3	10009-WG	Term. 2P Ground
4	35306	Strain Relief .512 - .709
5	10010-WG	Term. Block 3W
6	10014-WG	End Cap 3W
7	10017-WG	Jumper Strip (For 3W terminals)
8	10015-WG	Jumper, 2P
9	10008-WG	Term. Block 4P
10	10028-WG	Term. Fuse Holder
11	35950-2	Fuse, 2A
30010002		Carriage Enclosure Assembly



## 15-C. TROLLEY ENCLOSURE

1	10007-WG	Term. Block 2P
2	10009-WG	Term. Block 2P Ground
3	10010-WG	Term. Block 3W
4	35304	Strain Relief 1/2 .31-.56 Cord
5	35306	Strain Relief .512 - .709
6	10017-WG	Jumper Strip
30010003		Trolley Enclosure Assembly



# 2026 PICTORIAL PARTS BOOK



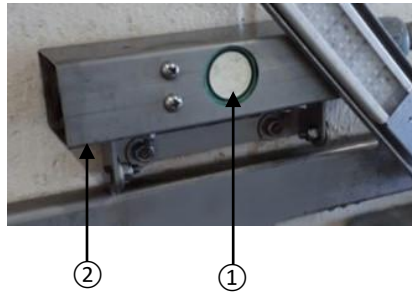
16-A. AUDIO		
<i>NOTE: Audio commands are only available with serial numbers 60/61-1000 or above.</i>		
1	33400001	Speaker, Audible Alarms
	M519373-A	Mounting Bracket, Speaker (NP)
	WW6620-B	Audio Prompt Function Assy

16-A. AUDIO

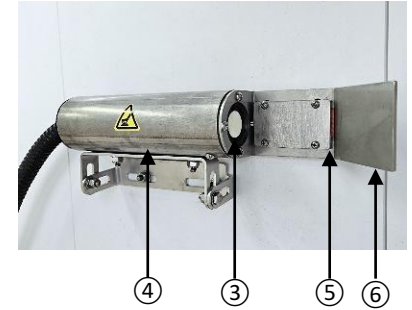


16-B. SIDE ULTRASONIC SENSORS (P&F)		
1	91900-SIDE	Sonar, L2 P&F
2	M388885	Housing, L2 Sonar
	50420003	Kit, Update, Side Sonar Housings (NP)
	50420004	Kit, Update, Side Sonar Housings w/Heat (NP)
	33272	Cord, P&F Sonar 15m (NP)

16-B. SIDE ULTRASONIC SENSOR (P&F)



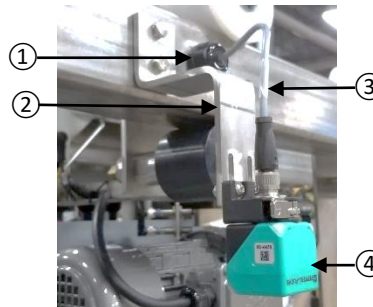
16-C. SIDE ULTRASONIC SENSOR (TELE)



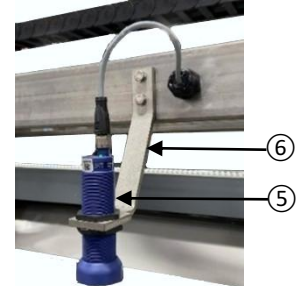
16-C. SIDE ULTRASONIC SENSORS (TELE)		
3	33530003	Sensor, Ultrs, 30mm, 4-20ma, LH-side
	33530004	Sensor, Ultrs, 30mm, 4-20ma, RH-side
	91900-SIDE	Sonar, P&F L2 Series Prog, Side
4	21080071	Housing, Sonar, 2-1/2" Tube, SST
5	37789	Heater, 24VAC 7.5W (option)
6	M388880	Plate, Sonar Deflector

16-D. REAR ULTRASONIC SENSORS (P&F)		
1	35306	Strain Relief .512 - .709
2	M519369	Rear Sonar Mount Brkt
3	33272	Cord, Sonar 15m
4	91900-REAR	Sonar, L2 P&F

16-D. REAR ULTRASONIC SENSOR (P&F)



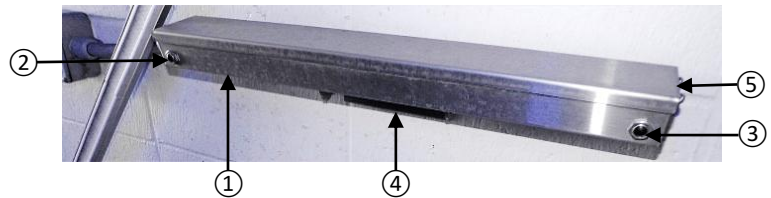
16-E. REAR ULTRASONIC SENSOR (TELE)



16-E. REAR ULTRASONIC SENSORS (TELE)		
5	33530005	Sonar, Tele, Rear
	91900-REAR	Sonar, P&F L2 Series Prog, Rear
6	M519371	Bracket, Sonar, Vertical

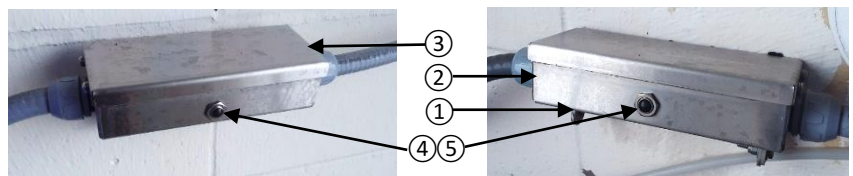
16-F. LOADING EYES		
1	21080058	Housing, Loading Eyes
2	92075-L	Transmitter, Telco
3	92076-L	Receiver, Telco
4	21000037	Bracket, Channel (2 per housing)
5	23240003	Cover, Loading Eyes
	50420005	Kit, Update, Ldg. Eye Hous (NP)
	50420006	Kit, Update, Ldg. Eye Hous w/Heat (NP)
	92079-L	Amp, Dual Chan. Telco (NP)

16-F. LOADING EYES



16-G. UNDERCARRIAGE EYES/HOUSINGS		
1	21000037	Bracket, Channel (2 per housing)
2	21080059	Housing, Photo Eye
3	23240004	Cover, Photo-Eye-Hsg, UC, SS
4	92075-L	Transmitter
5	92076-L	Receiver
	92077-L	Amp, 24vac Telco
	31019	Relay Socket 11-pin Carlo

16-G. UNDERCARRIAGE EYES/HOUSINGS



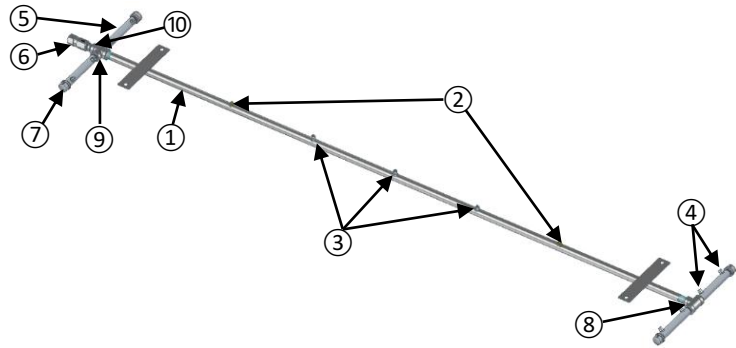
# 2026 PICTORIAL PARTS BOOK



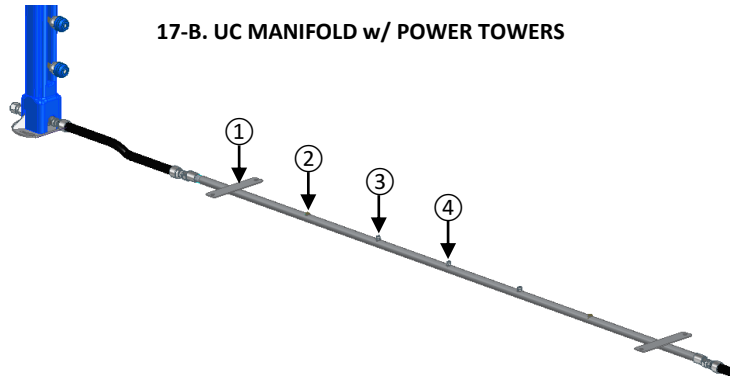
## 17-A. UNDERCARRIAGE MANIFOLD w/ ROCKER BLASTER

1	M358927	Manifold, UC, Center, 5-Hole
2	66541-B	1/4" Brass Plug
3	63525-4M	8003 Nozzles
4	62977-4M	1508 Nozzles
5	21500009	Manifold, Rocker Blaster, 2 Hole, 3/4" pipe
6	62030-F	Check Valve, 3/4"
7	66568-4S	3/4" SST Cap
8	66009-4S	3/4" SST Tee
9	41150002	3/4" SST Cross
10	65903-B4S	3/4" x 2" SST Nipple
5080001		Rocker Blaster Kit
UNDERCARRIAGE ROCKER BLASTER NOZZLE KIT		
50720001		UC Rocker Blaster Nozzle Kit

17-A. UC MANIFOLD w/ ROCKER BLASTER



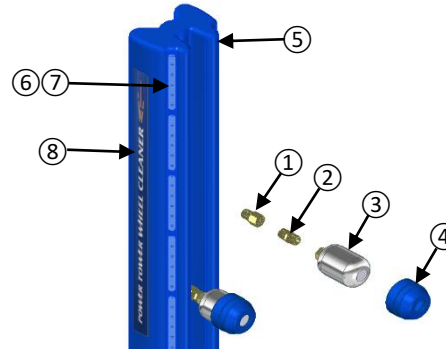
17-B. UC MANIFOLD w/ POWER TOWERS



## 17-B. UNDERCARRIAGE MANIFOLD w/ POWER TOWERS

1	M358927	Manifold, UC, Center, 5-Hole
2	66541-B	1/4" Brass Plug (2 per manifold)
3	63529-4M	8010 Nozzle (2 per manifold)
4	63060-4M	4020 Nozzle (1 per manifold)
50720004		Kit, Nozzle, UC w/4 Nozzle (NP)

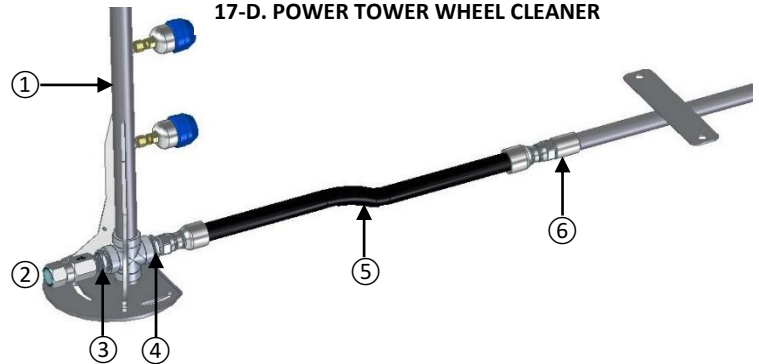
17-C. POWER TOWER WHEEL CLEANER



## 17-C. POWER TOWER WHEEL CLEANER

1	41400004	Adapter, 1/4"
2	65941-4B	Hex Nipple 1/4" br
3	63527	Nozzle, Turbo 4 GPM
4	63535	Nozzle Protector, Blastec Blue
5	21280015	Cover, Pwr-Twr, Blu, Plstc
	21280016	Cover, Pwr-Twr, w/Led-Slots, Blu, Plstc
6	83925-35	Blue LED Strip, 35-3/8"
7	M542050-35	LED Channel, 34-3/4"
8	80130003	Decal, Power Tower
21180002		Weldment, Pwr-Twr, 4-Hole, w/Cross (NP)

17-D. POWER TOWER WHEEL CLEANER



## 17-D. POWER TOWER WHEEL CLEANER

1	21180002	Weldment, Pwr-Twr, 4-Hole, w/Cross
2	62030-F	Check Valve, 3/4"
3	41030003	Close Nipple 3/4", SCH 80
4	66603-S	Pipe Bushing, 1 x 3/4"
5	41550009	Hose Assembly, 3/4"
6	66687-4S	Full Coupling, 3/4"
66496-B		Plug 1" NPT Brass Non Feed Side (NP)



# 2026 PICTORIAL PARTS BOOK



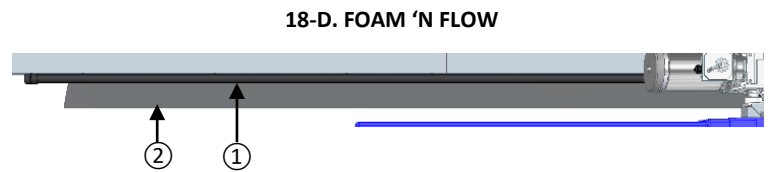
18-A. COVERS		
1	21280001	Cover, Front ABS
	21280003	Cover, Rear ABS
	M540150	Cover, Rear ABS (OBD only)

18-B. LED LIGHTS		
2	83925-27	LED Strip, Blue 27-3/4" LG
3	83925-29	LED Strip, Blue 29-3/4" LG
4	83925-31	LED Strip, Blue 31-3/4" LG

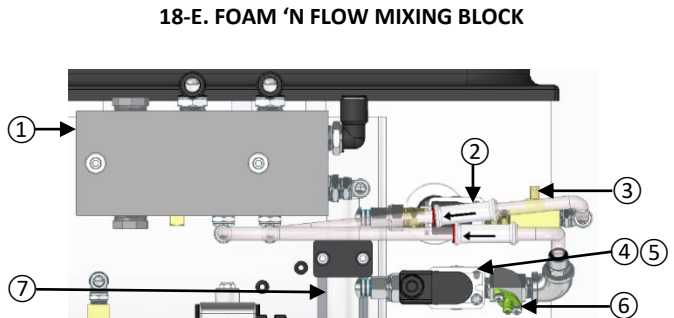
18-C. MISCELLANEOUS (NP)		
5	80020001/ 80020009	Decal, (EDGE/STD), F/R Cover (1 per cover)
	80020018	Decal, HyperForce
	M499055	Hinge, Fiberglass
	M519027	Retaining Bar, Hinge
	90991	Cylinder, Gas



18-D. FOAM 'N FLOW		
1	M359015	Manifold, Foam 'n Flow
2	M538925	Foam Shield, SST
	M519700	Bracket, Foam 'n Flow Manifold (NP)
CARRIAGE VALVES (Inside Duct)		
	61915	Valve, Dema 3/8" SST (NP)
	61939-C	Cord, DIN 53" (NP)

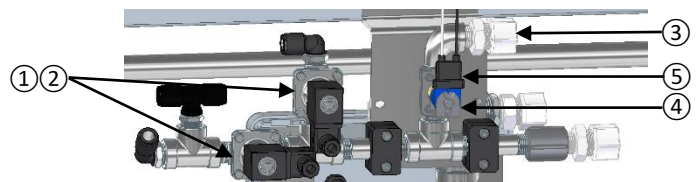


18-E. FOAM 'N FLOW MIXING BLOCK		
1	21500003	Manifold, Mixing, Foam 'n Flow, PVC
	62046	Valve, Check 3/8" push fit
	62052	Valve, Needle 1/4" BR
	61931-C	Cord, DIN 2 Cond 39"
5	61915	Valve, Sol. 3/8" NC
	34200002	Coil, Valve, 24V, 50-60Hz, Dema
6	62380-X /43300007	Injector, Single, .0.125, Grn, SST
7	21500001	Manifold, 3-Hole, Foam 'n Flow SST



18-F. SPOT FREE CHANGEOVER		
<i>NOTE: Valve combinations shown for a Razor with Foam 'N Flow and HyperFlex equipped. Razors equipped with either option singularly, will only contain (1) N.O. and (1) N.C. valve</i>		
1	61940	Valve, Sol. 1/2" NC
2	34440002	Cord, DIN, 2 Cond. 10' (NP)
3	41410003	Fitting, 3/4" Tube x 1/2" NPT
4	46100002	Valve, Sol. 1/2" NO
5	34440001	Cord, Spade 2 cond. (NO valve only)

18-F. SPOT FREE CHANGEOVER (Foam 'N Flow and HyperFlex)

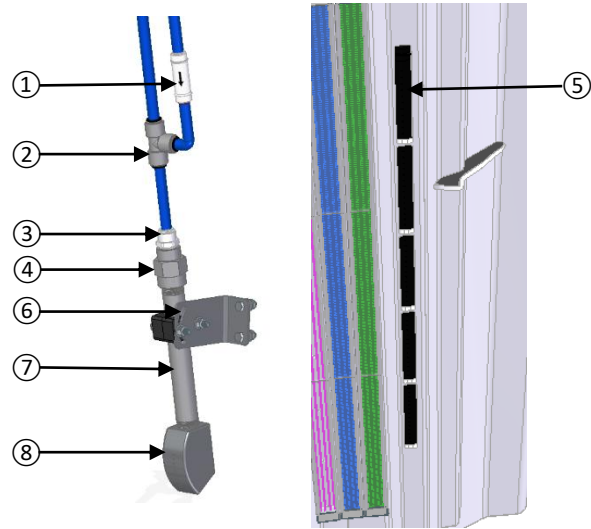


# 2026 PICTORIAL PARTS BOOK



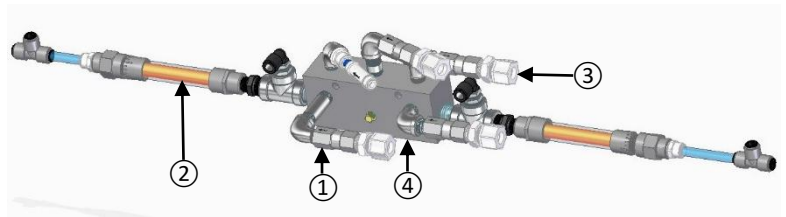
## 19-A. HYPERFLEX

19-A. HYPERFLEX		
1	62047	Valve, Push Fit Check 1/2"
2	41050002	1/2" Push Fit Tee
3	23242-PB	1/2" Tube x 1/2" NPT Push Fit
4	66756-P	PVC Reducer Coupling
5	M359020	Manifold, HyperFlex
6	21000002	Bracket, Side Pods, HF
7	41030002	Nipple, 3/4"x 8"NPT, gray PVC
8	43030001	Foamer Head Single
	80020003	Decal, HyperFlex (NP)



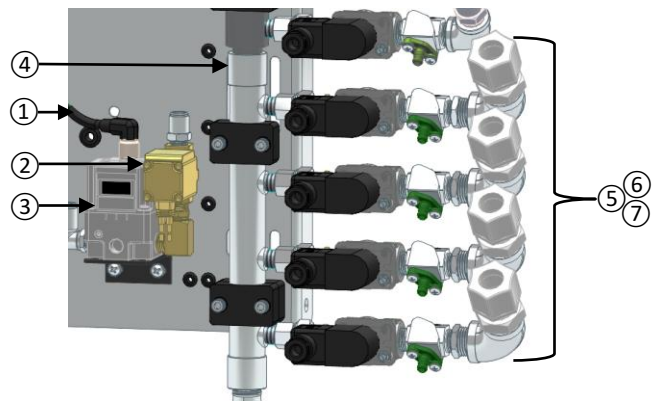
## 19-B. HYPERFLEX MANIFOLD

19-B. HYPERFLEX MANIFOLD		
1	62031	Valve, Check 1/2"
2	43200001	Foamer Assembly, SST
3	41410003	Fitting, 3/4" T x 1/2" NPT
4	21500005	Manifold, Mixing HyperFlex



## 19-C. HYPERFLEX VALVES

19-C. HYPERFLEX VALVES		
1	33250	Cable, Air Reg. Electronic Pneu.
2	46100001	Valve, Sol. 1/4" NPT NC
3	25205	Regulator, Air, Electronic pneu.
4	21500002	Manifold, 4-Hole, HyperFlex SST
5	41410003	Fitting, 3/4" T x 1/2" NPT
6	61915	Valve, Sol. 3/8" NC
7	43300007/62380-X	Injector, .125



HYPERFLEX INSTALLATION PARTS	
41570003	Poly Tubing, 3/4" OD 100 ft. spool (NP)
41570004	Poly Tubing, 3/4" OD 250 ft. spool (NP)
41410001	Fitting, Connector 3/4"T x 3/4"T (NP)



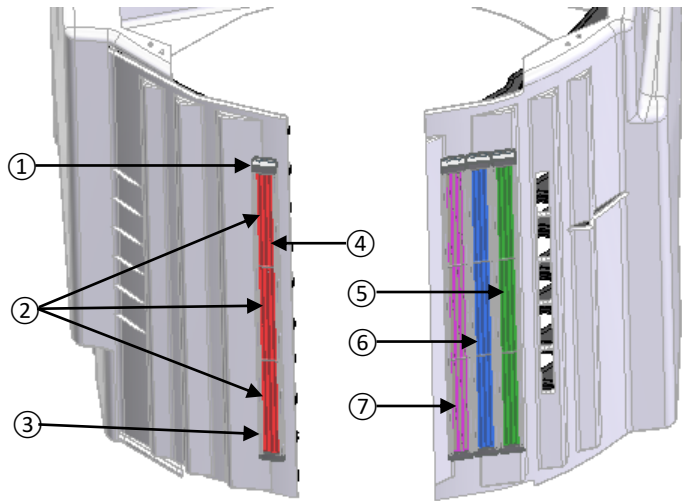
# 2026 PICTORIAL PARTS BOOK



## 20-A. SPECTRARAY™

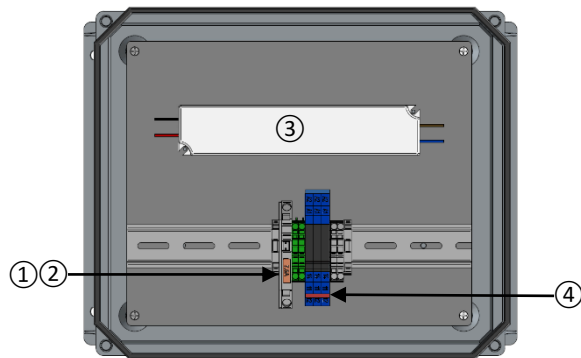
*NOTE: The red LED strip is equipped with the SpectraRay or Foam 'n Flow options.*

1	21080014	Cap, End, LED (2 per row)
2	21080012	Cover, LED Lens, Acrylic (3 per row)
3	21080013	Mount, LED, PVC (2 per row)
4	34630001	LED Strip, Quad Row, Red
5	34630002	LED Strip, Quad Row, Green
6	34630003	LED Strip, Quad Row, Blue
7	34630004	LED Strip, Quad Row, Magenta



## 20-B. SPECTRARAY ENCLOSURE

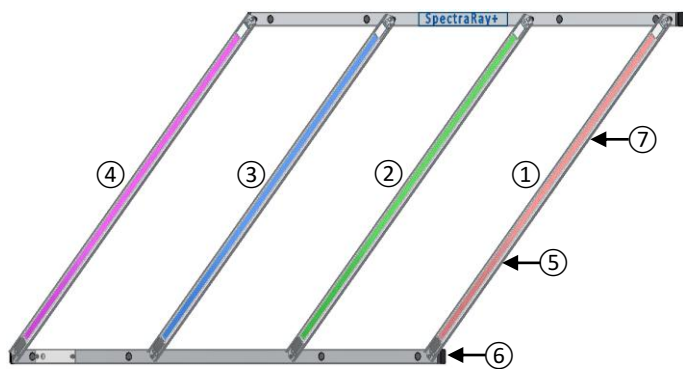
1	10028-WG	Term. Fuse Holder
2	31770001	Fuse, 7.5A, ATO
3	32050002	Power Supply, IP67, 24VDC
	32050003	Power Supply, 24VDC, 151W, 47-63HZ
4	10041-FI	Relay & Socket, 24VDC, Solid State
	30010005	Encl, Assy, Pwr-Sply, SpectraRay, RZR



## 20-C. SPECTRARAY+ ASSEMBLY

1	34630007	Quad LED Strip, Red
2	34630008	Quad LED Strip, Green
3	34630009	Quad LED Strip, Blue
4	34630010	Quad LED Strip, Magenta
5	21080043	Lens, Clear Acrylic
6	21080014	End Cap
7	21080044	Mount, LED Tray

## 20-C. SPECTRARAY+ ASSEMBLY



## 20-D. G&G LIGHTING

### Lighting Kits

50380004	Bay-Lighting, RGBW, 8', 120V, 8-CT
50380005	Bay-Lighting, RGBW, 8', 120V, 6-CT

## 20-D. G&G LIGHTING





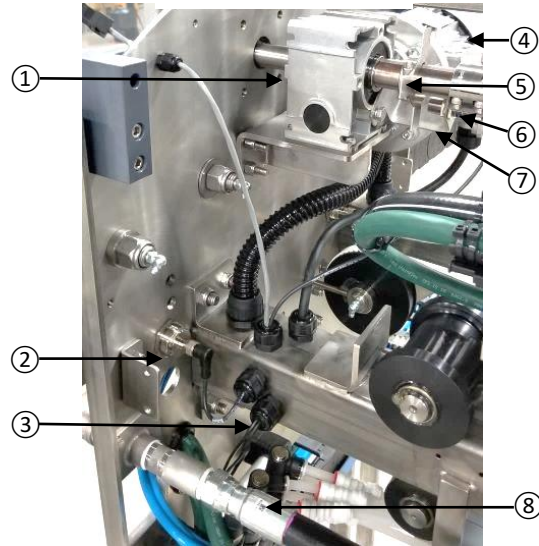
21-A. XR-7 CARRIAGE		
1	23010002	Gearbox, 25:1 Carr./Trly.
2	91915	Switch, Prox 30mm f/Carriage
	33259	Cord, Prox 5m
3	35304	Strain Relief 1/2"
4	31010001	Motor, Carriage 1/2HP (Non-OBD)
	36907	Motor, Carriage 3/4HP (OBD) (NP)
5	M508908	Flag, Carriage Pulse
6	91921	Switch, Prox 18mm
7	M508900	Bracket, Carriage Pulse Prox
8	42811	Hose, 3/4" x 180" w/wrap

CARRIAGE TRAVEL AND IDLER ROLLERS (NP)		
M618939		Roller, Black
M618889		Roller, White
M598906		Shaft, Carriage roller
M638902		Washer
M618951		Roller, Idler
M598911		Shaft, Idler Roller
M638899		Washer
12389		Snap ring, 1"

21-B. XR-7 CARRIAGE		
1	M598899	Shaft, Carriage 126"
2	12092	Coupling, 1" SST
3	21080037	Strip, Wear UHMW
4	21080032	Block, Cover Hinge
5	8907	Bearing, 4 Bolt
6	M598888	Shaft, Carriage Drive 6 1/2"
7	35304	Strain Relief, 1/2" Cord

21-C. XR-7 CARRIAGE		
1	31010001	Motor, 1/2HP Carr./Trly.
2	8950	Gear, Drive
	8952	Bushing, Trolley Drive Gear
3	M598902	Shaft, Trolley Drive
4	M688943-4.68	Key, 1/4" x 1/4" x 4-11/16"
5	12389	Snap Ring, 1"
6	23010002	Gearbox, 25:1 Carr./Trly.
7	91921	Switch, Prox 18mm
	33259	Cord, Prox 5m 90deg
8	M508907	Flag, Trolley Pulse
9	M658899	Block, Flag
	M330898-S	Flag, Rail SST

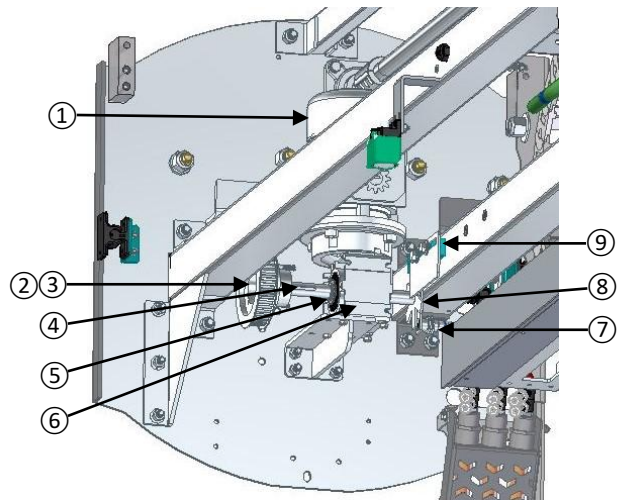
21-A. XR-7 CARRIAGE



21-B. XR-7 CARRIAGE



21-C. XR-7 CARRIAGE

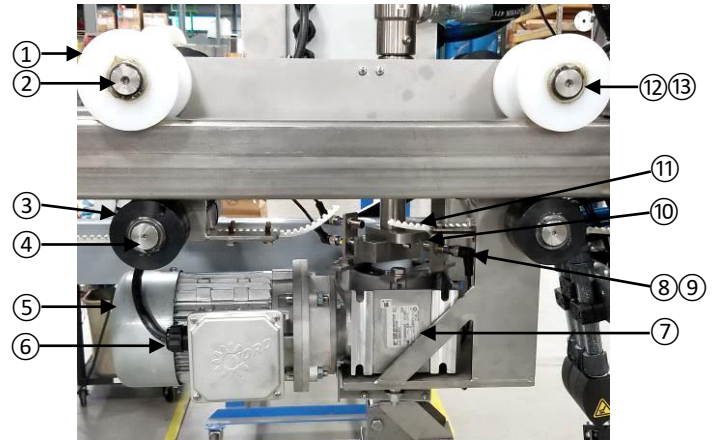


# 2026 PICTORIAL PARTS BOOK



## 22-A. XR-7 TROLLEY ASSEMBLY

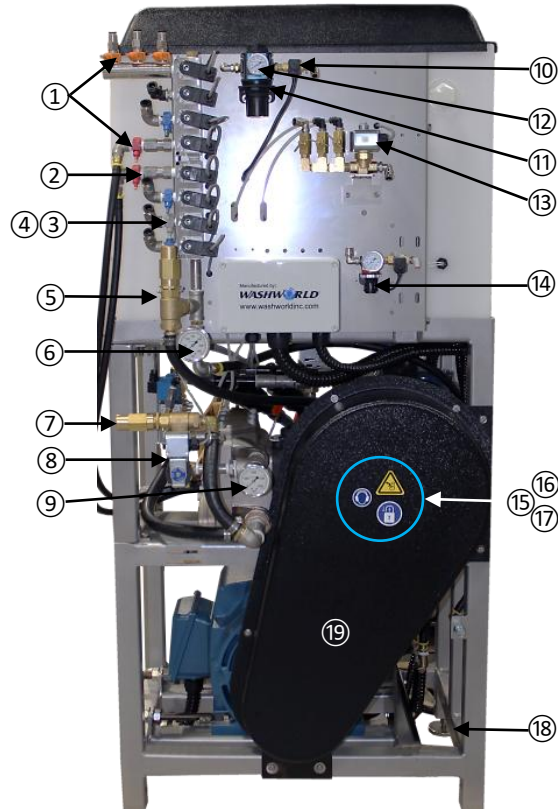
22-A. XR-7 TROLLEY ASSEMBLY		
1	M618889	Roller, White
	M618939	Roller, Black (NP)
2	M598903	Shaft, Trolley Roller
3	M618950	Roller, Eccentric
4	M598910	Shaft, Roller Eccentric
5	31010001	Motor, Arch 1/2 HP
6	35295	Strain Relief M20
7	23010001	Gearbox, Arch 50:1
8	91919	Switch, Prox 12mm
9	33259	Cord, Prox 5m
10	M638891	Cam, Index
11	9970-K	Belt, Trolley
12	M638899	Washer
13	12389	Snap Ring 1"



RAZOR XR-7 PROXIMITY SWITCH CHART			
Location	Part Number	Part Description	Razor® Equivalent
Front / Rear Limit	91915	Prox Switch 30mm Long	91915
Arch Position	91919	Prox Switch 12mm	91909
Left / Right Limit (Trolley)	91923	Prox Switch 30mm Short	91914
Carriage / Trolley Pulse Counter	91921	Prox Switch 18mm Long	91910
Impact Switch	91920	Prox Switch 18mm Short	91912

22-B. XR-7 PUMP STATION		
1	62369-X/ 43300004	.057 Inj (RED)
	62344-X/ 43300003	.070 Inj. (ORANGE)
	62375-X/ 43300005	.083 Inj. (GRAY) (NP)
	62376-X/ 43300006	.086 Inj. (BLUE)
2	62035	Valve, Check 3/8"
3	61913	Valve Bank, 3
4	61914	Valve Bank, 4
	61912	Kit, Rebuild Sol. Valve Bank
5	46130002	Regulator, LP
6	23936	Gauge, 0-300 psi
7	46130001	Regulator, HP
8	62196-24	Valve, Sol. 1/2" NC
9	24000	Gauge, 0-2000 psi
10	46100001	Valve, NC 1/4" NPT
11	25050	Regulator, Air 3/8"
12	23920	Gauge, 0-160 psi
13	62192-24	Valve, NO 3/8" (Weep)
14	25049	Regulator, Air 1/4"
15	82503	Decal, Loud Noise
16	82502	Decal, Hand Entangle/Cogged Belt
17	82895	Decal, Lockout/Electrical Power
	62304	Metering Tip Kit
18	13940-S	Leveling Pad, SS 1/2" thd
19	23240013	Cover, Belt-Guard, HDPE
PUMPS		
61050	Pump, Solution 1.5HP 3PH	
61540	Pump, General	
61589	Pump, CAT 3535	
MOTORS AND BELT DRIVE		
36928	Motor, 25HP	
9955-3BX	Belt 66" B Sect Banded 3V (GP)	
9956-3BX	Belt 67" B Sect Banded 3V (Cat)	

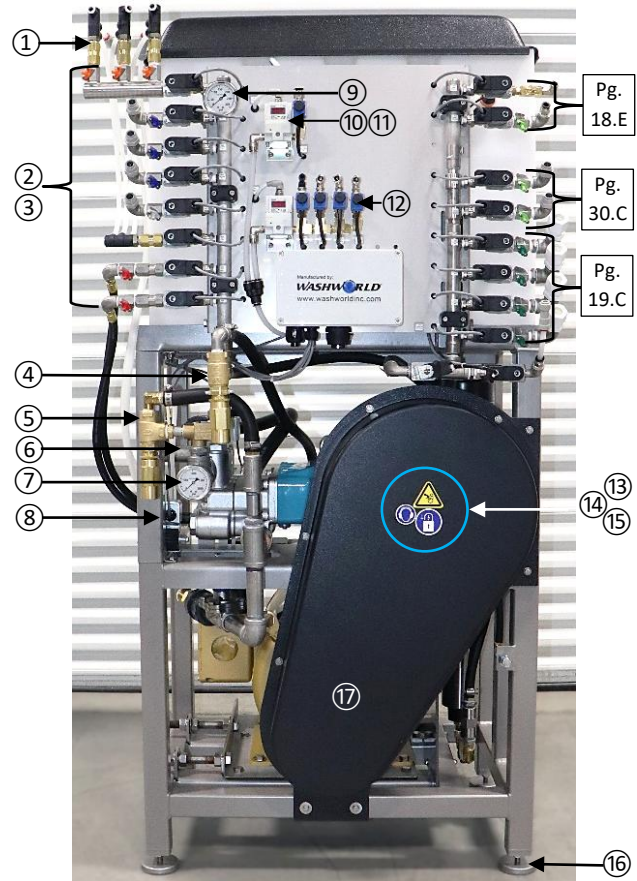
## 22-B. XR-7 PUMP STATION



## HYPER FORCE RAZOR

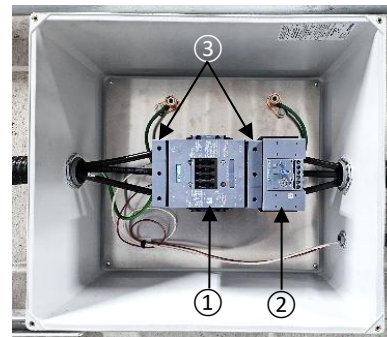
23-A. HYPERFORCE PUMP STATION		
INJECTORS		
1	62035	Valve, Check 3/8"
2	62369-X/ 43300004	.057 Inj (RED)
	62344-X/ 43300003	.070 Inj. (ORANGE)
	62375-X/ 43300005	.083 Inj. (GRAY) (NP)
	62376-X/ 43300006	.086 Inj. (BLUE)
3	61915	Valve, 3/8" SST, Dema
4	46130002	Regulator, LP
5	46130001	Regulator, HP
6	61952	Valve, Sol. 1", NO/NC Danfoss
7	24000	Gauge, 0-2000 psi
8	62192-24	Valve, NO 3/8" (Weep)
9	23936	Gauge, 0-300 psi
10	25205	Regulator, Air, El-Pneu, 4-20ma
11	33250	Cable, Air Regulator, El-Pneu
12	46100001	Valve, NC 1/4" NPT
13	82503	Decal, Loud Noise
14	82502	Decal, Hand Entangle/Cogged Belt
15	82895	Decal, Lockout/Electrical Power
16	13940-S	Leveling Pad, SS 1/2" thd
17	23240013	Cover, Belt-Guard, HDPE
62304		Metering Tip Kit
PUMPS		
61050	Pump, Solution 1.5HP 3PH	
42010012	Pump, CAT 4535	
MOTORS AND BELT DRIVE		
31140001	Motor, 40HP, 230/460V, 60Hz	
23210001	Belt, 3V Band, 68" BX65 Sect	
23090002	Sheave, 3-Groove, 3-1/2" bore (NP)	
23030007	Bushing, Bearing, 2-1/8" ID (NP)	

23-A. HYPERFORCE PUMP STATION



23-B. 40HP MOTOR STARTER		
1	31220001	Contact, 24VAC/VDC, 115A, 3P, 50/60HZ, S6
2	31540001	Overload, 1000V, 50-200A, 3P, 50/60HZ, S6
3	34180001	Terminal, Cover, 3-POLE, 70MM2-XSECT, S6
30010015		Encl, Assy, 208V, Motor Starter

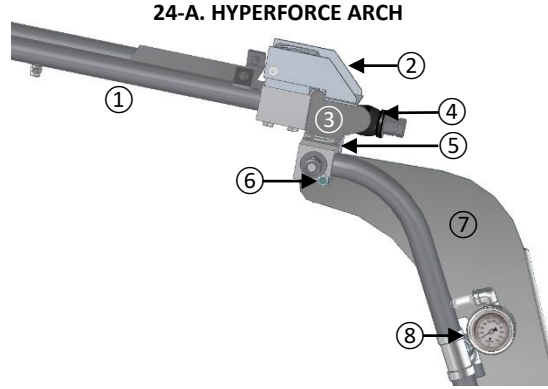
23-B. 40HP MOTOR STARTER



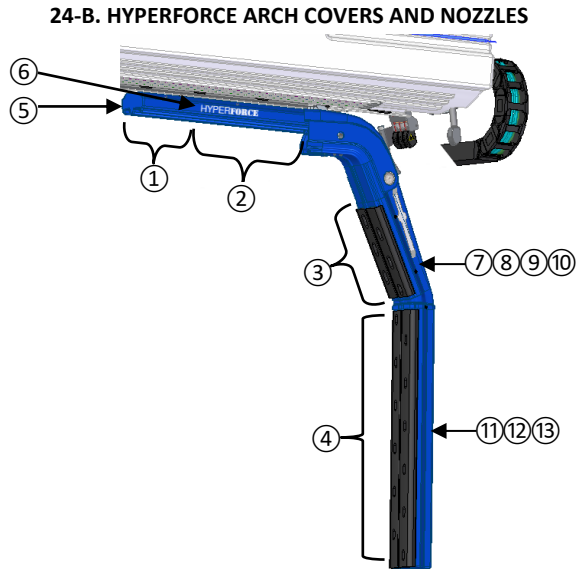
# 2026 PICTORIAL PARTS BOOK



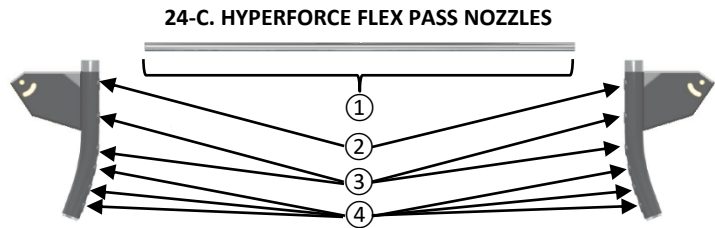
24-A. HYPERFORCE ARCH ASSEMBLY		
1	21160005	Weldment, Arch, Top, SST, HF
2	21080107	Plate, Lift, SST, Arch, DBL-BRL
3	21080106	Plate, Retainer, SST, Arch, DBL-BRL
4	13976	Compression Bumper
5	21500015	Weldment, Manifold VA
6	61100001	Bolt, Shear, 3/8 x 4-1/2", 0.29", (red)
7	21160004	Weldment, Arch, Side, SST, HF
8	24000	Gauge, Press, 0-2000 psi, LIQ
WW033		Fastener Kit Arch (NP)



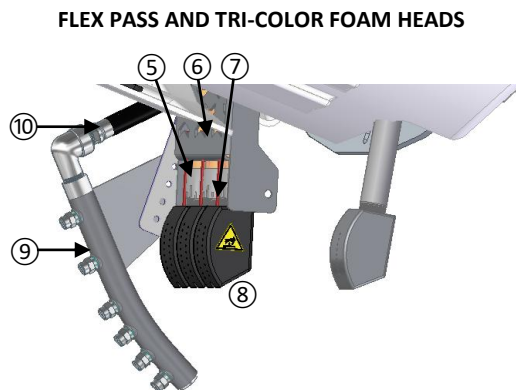
24-B. HYPERFORCE ARCH COVERS AND NOZZLES			
Item	Part#	Qty.	Description
1	43000004	3	Nozzle 15025 1/4" I-MEG
2	62971-4M	4	Nozzle 1504 1/4" I-MEG
3	43000005	6	Nozzle 15015 1/4" I-MEG
4	43000004	12	Nozzle 15025 1/4" I-MEG
50720007		HyperForce Arch Nozzle Replacement Kit	
5	21280045	Cover, SA, Top, Blue, Plstc	
6	80020019	Decal, Arch-Cvr, Die-Cut	
7	21280019	Cover, SA, Mid-Rear, Blue, Plstc	
8	21280044	Cover, SA, Mid-Fr, Blue, Plstc	
9	22050028	Arch Foam, Mid, LS	
10	22050029	Arch Foam, Mid, RS	
11	21280042	Cover, SA, Side, Blue, Plstc	
12	22050026	Arch Foam, Lower, LS	
13	22050027	Arch Foam, Lower, RS	



24-C. HYPERFORCE FLEX PASS NOZZLES			
Item	Part#	Qty.	Description
1	63045-4M	6	Nozzle 4004 1/4" I-MEG
2	63047-4M	2	Nozzle 4006 1/4" I-MEG
3	63045-4M	4	Nozzle 4004 1/4" I-MEG
4	62970-4M	6	Nozzle 1503 1/4" I-MEG
50720008		Kit, Nozzle, Flex-Pass, HYPFRC	



FLEX PASS AND TRI-COLOR FOAM HEADS		
5	43200001	Foamer Tube Assy
6	21000032	Bracket, Mount, TCF
7	59015	Heater, 9W Cartridge
8	95100-A	Foamer Head
	95098-A	Foamer Head, Anodized
41400001		Tube Fitting, Dual 3/8" (NP)
62046		Valve Check, 3/8" Tube Fitting (NP)
90890		Mesh Plastic, Ultrafoam (NP)
43210001		SST Foamer Material (NP)
9	21500023	Manifold w/brkt, 6 hole, SST
10	42813-40	Hose Assembly, 1/2" x 40-1/2"

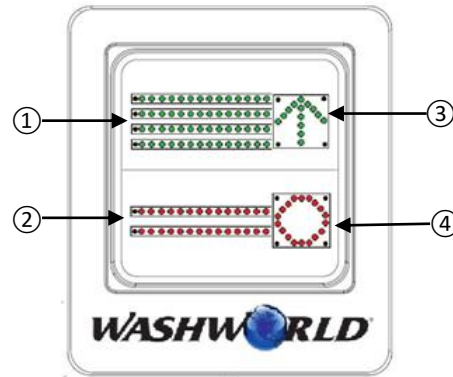


# 2026 PICTORIAL PARTS BOOK



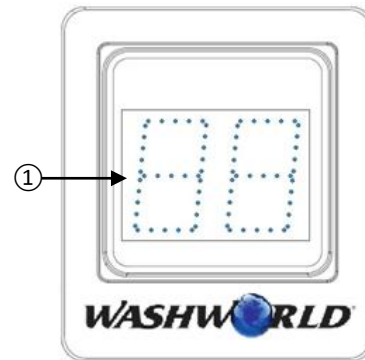
25-A. 24VAC EXTERIOR LED WAIT/GO SIGN		
1	83903	LED Strip, Green 14 Light
2	83904	LED Strip, Red 14 Light
3	83880	LED Arrow, Green
4	83886	LED Stop, Red
WW20030-LED		Sign, Drv Fwd/ Wait LED

25-A. 24VAC LED DRIVE FORWARD/WAIT



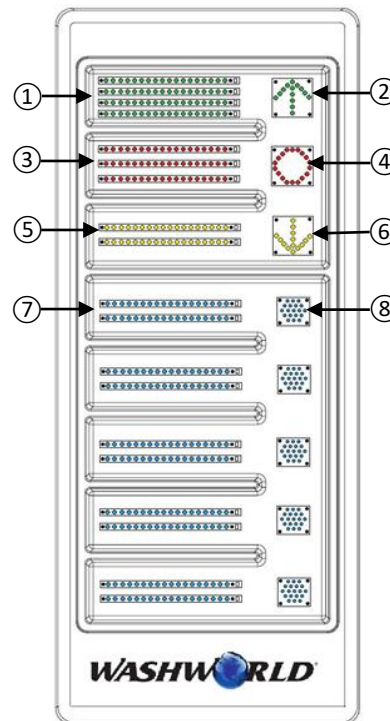
25-B. 24VAC COUNTDOWN TIMER		
1	83878	LED Countdown Timer Board, Blue
WW20012-LED		Sign, LED
84913		Sign Face, Countdown Timer
WW20012-LED		24VAC Dryer LED Countdown Timer w/Stand
WW20012-LED-NS		24VAC Countdown Timer Without Stand

25-B. 24VAC COUNTDOWN TIMER



25-C. 24VAC INTERIOR LED INSTRUCTIONAL SIGN		
1	83894	LED Strip, Green
2	83880	LED Arrow, Green
3	83890	LED Strip, Red
4	83886	LED Stop, Red
5	83892	LED Strip, Amber
6	83882	LED Arrow, Amber
7	83896	LED Strip, Blue
8	83888	LED Globe, Blue
WW20008-LED		Sign, LED
84914		Sign Face, 8-panel, TCF, LED (NP)
84915		Sign Face, 8-panel, Plain, LED (NP)
84917		Reseal Face Kit (Contains screws, gasket material, caulk, & instruction) (NP)

25-C. 24VAC INTERIOR INSTRUCTIONAL



## 26-A. 12VDC LED INTERIOR SIGNAGE

26-A. 12VDC INTERIOR LED INSTRUCTIONAL SIGN		
1	82874	Decal, In-Bay 8 Panel std.
2	82874-TF	Decal, In-Bay 8 Panel w/TF (NP)
3	83894-3	LED Strip, 3 Light, Green (Drive Forward)
4	83890-3	LED Strip, 3 Light, Red (Stop)
5	83892-3	LED Strip, 3 Light, Amber (Back Up)
6	83896-3	LED Strip, 3 Light Blue
33904		Enclosure, 3" x 3" x 2.6 Poly (NP)
WW20008-12V		Interior LED Instructional Sign
WW20008-12VTF		12VDC LED Instructional Sign w/TF



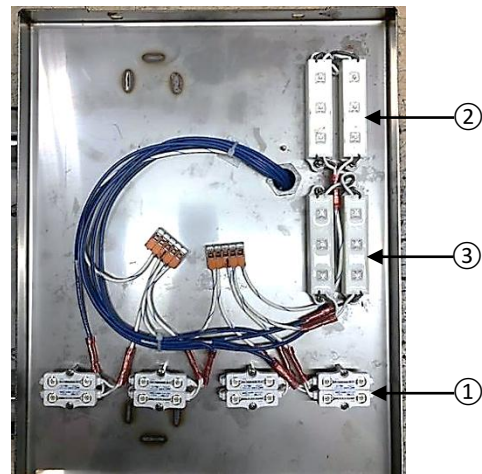
26-B. 12VDC LED EXTERIOR WAIT/GO SIGN		
1	82870	Decal, Wait/Go STD
	82871	Decal, Wait/Go w/ Wash Progress (NP)
	82872	Decal, In-Bay, 3-panel, (NP)
2	83894-3	LED Strip, 3 Light, Green
3	83890-3	LED Strip, 3 Light, Red
33904		Enclosure, 3" x 3" x 2-1/2" (NP)
34600001		LED, Strip, White, 12VDC (WP only)
21080096		Acrylic, Lens, Blue (NP)
WW20030-12V		12VDC LED Exterior Wait/Go Sign
WW20030-12VWP		12VDC LED Exterior Wait/Go sign with Wash Progress (NP)

## 26-B. WAIT/GO SIGN - EXTERIOR

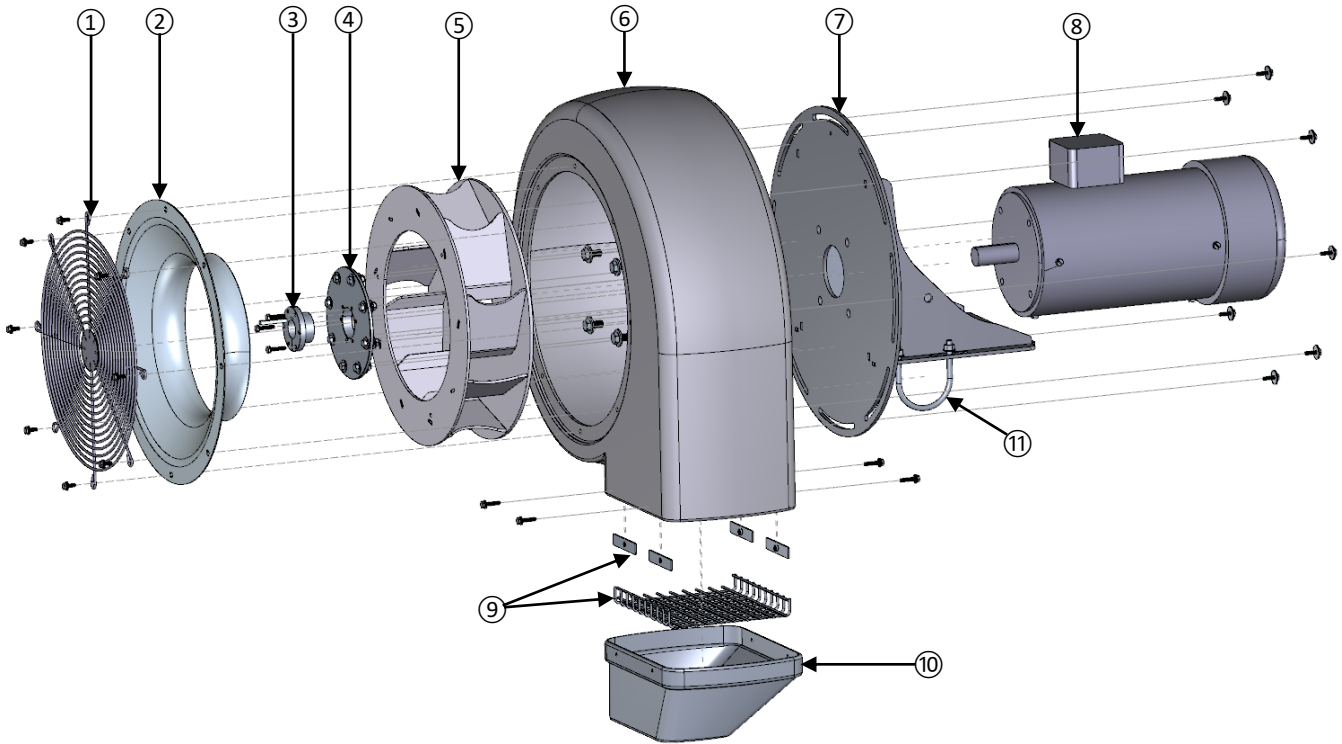


26-C. 12VDC EXTERIOR SIGN (INTERNALS)		
(Shown with Wash Progress option)		
1	34600001	LED, Strip, 2-LT, wht, 12VDC (Wash Progress only) (8 per assembly)
2	83894-3	LED Strip, 3 Light, Green (Drive Forward)
3	83890-3	LED Strip, 3 Light, Red (Stop)
21080096		Acrylic, Lens, Blue, WP (NP)
33904		Enclosure, 3" x 3" x 2-1/2" Poly (NP)

## 26-C. WAIT/GO SIGN - INTERNALS



## 27-A. BLOWER ASSEMBLY



### 27-A. BLOWER ASSEMBLY

1	22040022	Screen, Dryer-Inl, Rnd, SS	7	22040019	Backplate, Str, Producer-Mnt, Slt
2	22040023	Inlet-Cone, Dryer, Rnd		22040041	Backplate, Swivel, Producer-Mnt, Slt
3	22040024	Bushing, Prdcr-Hub, 1x3/8", SS	8	36910	Motor 10hp TEFC Dryer
4	22040025	Hub, Prdcr-Impir, 8-Hole, SS		36911	Motor 15hp TEFC Dryer
5	22040026	Impeller-Wheel, Dryer, 7.5HP, RH	9	31060001	Motor, 7.5HP, 208/230, 3PH, 60hz
	22040027	Impeller-Wheel, Dryer, 7.5HP, LH		22040034	Screen, Prdcr-Outlet, Sq, SS, hardware
	22040028	Impeller-Wheel, Dryer, 10HP, RH	10	22040035	Nozzle, Dry-Outlet, Std, Cmpst
	22040029	Impeller-Wheel, Dryer, 10HP, LH		22040037	Nozzle, Dry-Outlet, Dual, Cmpst
	22040030	Impeller-Wheel, Prdcr, 15HP, RH		22040021	Nozzle-Extension, Dry-Outlet, 8"Lg, Cmpst
6	22040031	Impeller-Wheel, Prdcr, 15HP, LH	11	77098	U-Bolt, 3" X 5" Square
	22040032	Housing, Prdcr, RH, Cmpst		77099	U-Bolt, 5" X 3" Square
	22040033	Housing, Prdcr, LH, Cmpst	12	22040036	Nozzle, Prdcr-Outlet, Rnd, Cmpst (NP)
			13	22040038	Silencer, Prdcr, Cone, Fgl (NP)

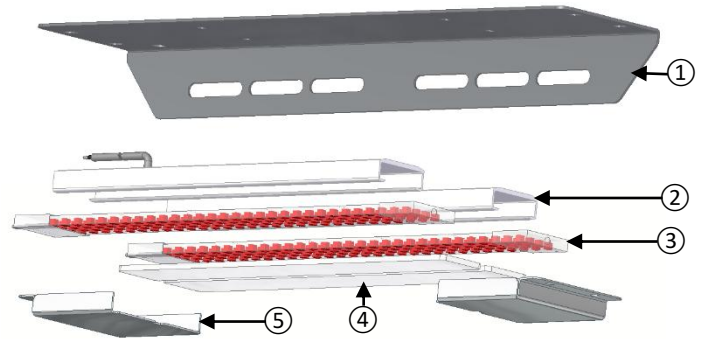


# 2026 PICTORIAL PARTS BOOK



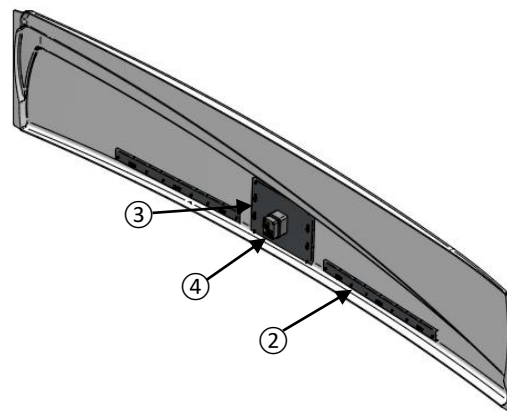
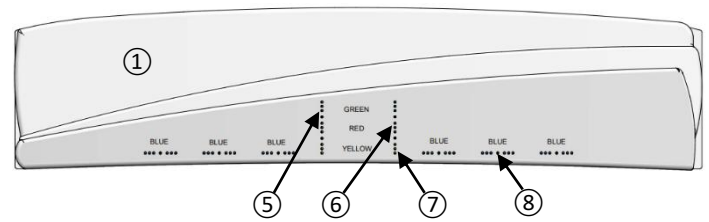
28-A. LUMENDRY™

28-A. LUMENDRY		
1	21000045	Bracket, MNT, Dual-LED, SST
2	21080062	Mount, LED-Tray, PVC, White
3	34630006	LED Strip, 28mm, Red
4	21080063	Cover, Lens, Clear Acrylic
5	21080061	Cap, End, Dual-LED, Rtnr, SST
60100026 LumenDry Fastener Kit		

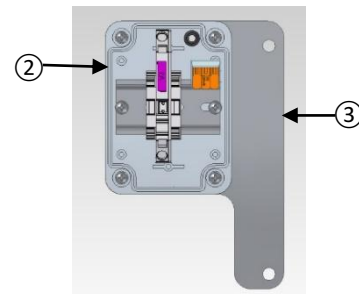
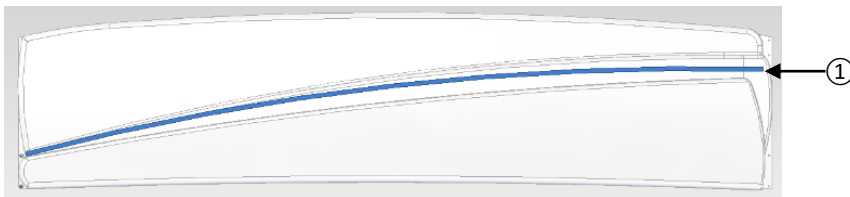


28-B. DRYER COVER SIGN

28-B. DRYER COVER SIGN		
1	21280008	Cover, Dryer, Fr, w/LED, ABS
2	21000050	Bracket, Mnt, Dryer-LED, Horiz, SST
3	21000051	Bracket, Mnt, Dryer-LED, Vert, SST
4	33904	Enclosure 3 x 3 x 2.6 Poly W/Cvr
5	83894-3	LED Strip, 3 Light, Green 12VDC
6	83890-3	LED Strip, 3 Light, Red 12VDC
7	83892-3	LED Strip, 3 Light, Amber 12VDC
8	83896-3	LED Strip, 3 Light, Blue 12VDC
80280001 Decal, Dryer, w/LED-Sign, std		
60100032 Dryer Cover LED Sign Hardware Kit		



28-C. DRYER COVER LIGHT



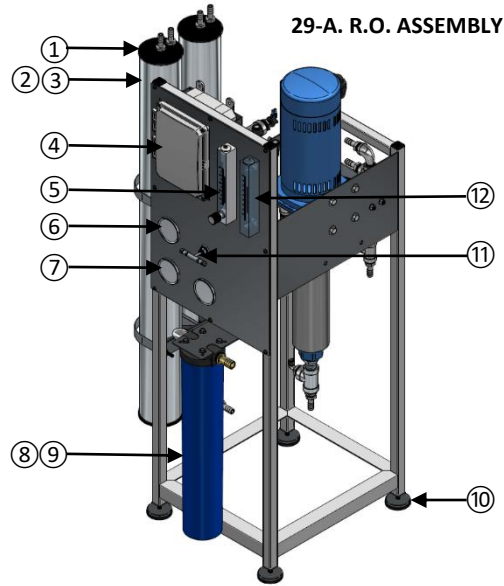
28-C. DRYER COVER LIGHT		
1	83925-5	LED Strip, Blue 5m
2	50660007	Assy, Encl, Dryer-Cvr-Lt
3	21000044	Bracket, Mnt, Cvr-Encl, SST
60100028 Cover Light Hardware Kit		



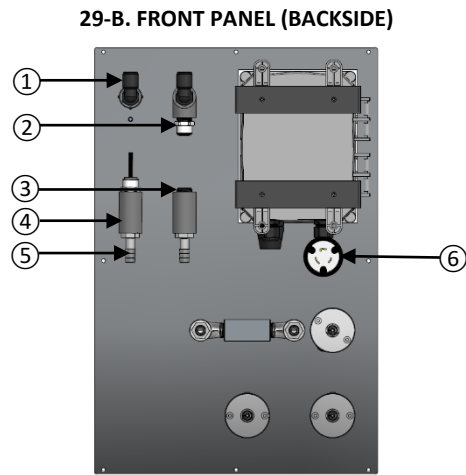
# 2026 PICTORIAL PARTS BOOK



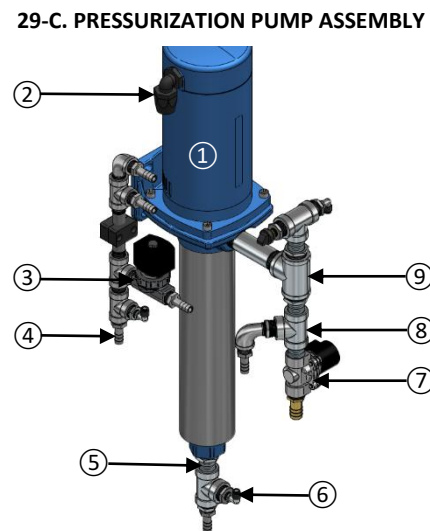
29-A. R.O. ASSEMBLY		
1	96426	RO Membrane Cap 4"
	96347	O-Ring Filter Housing
2	96300	Membrane, 4" x 40", ULP
3	96301	Membrane Housing, SST
	22060071	Membrane Housing, Fiberglass
4	33300002	Board, Controller & TDS meter
	22060043	Terminal-Board, ROC2,VEL-WTR
5	46070003	Valve, Flow Meter, 0.5-5 GPM, adjust.
6	23914	Pressure Gauge, 0-100psi
7	23936	Pressure Gauge, 0-300psi
8	96335	Filter, 5 micron, cartridge, 20"
9	96330	Filter Housing, 3/4" x 20"
10	13941-S	Leveling Pad SST 3/8"
11	46070002	Valve, Needle, 1/2" SST
12	46070001	Valve, Flow Meter, 0.5-5 GPM
	41530002	Hose, Polybraid, 3/4", blue (NP)



29-B. FRONT PANEL (BACKSIDE)		
1	23245-PB	Tube Fit Elbow, 1/2T x 1/2NPT
2	23242-PB	Tube Fitting, 1/2T x 1/2NPT str
3	66542-S	Plug, Pipe, 1/2", SS
4	66004-P	Tee Pipe 1/2" PVC
5	67006-MS	Hose Barb, 1/2"H x 1/2"NPT
6	4620001	Valve, Switch, LP
30020025		Wire, Power Cord (NP)

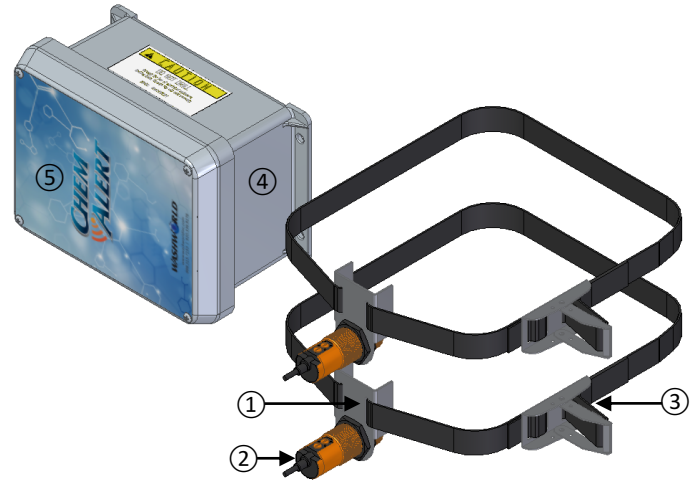


29-C. PRESSURIZATION PUMP ASSEMBLY		
1	61189	Pump, 1HP, 208/23V, 1PH (2400)
	42010011	Pump, 2HP, 208/230V, 1PH (4800/7200)
2	34973	Conduit Connector, 1/2" adjustable
3	96320	Valve, Sol., 1/2", 220V
4	67006-MS	Hose Barb, 1/2"H x 1/2"NPT
5	65902-4S	Nipple Close, 1/2"SST
6	23225-PB	Tube Fit, Male, Swvl, 1/4"x 1/4"NPT
7	96321	Valve, Sol., 3/4", 220V
8	66009-4S	Tee Pipe, 3/4" SS
9	66014-4S	Tee Pipe, 1", SS



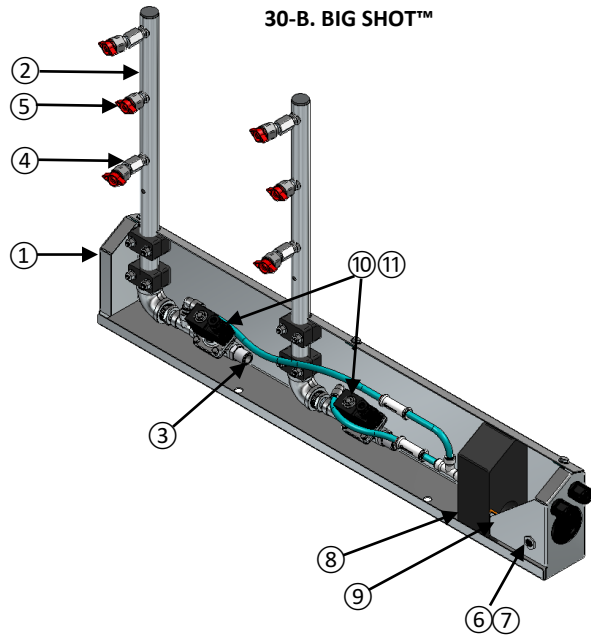
### 30-A. CHEM ALERT™

30-A. CHEM ALERT		
1	21040002	Sensor Bracket
2	91992	Main Tank Fill Sensor
3	65020001	Buckle Cinch Strap, 1"
4	30110001	Enclosure Assembly, 6 x 8"
5	80130004	Chem Alert Decal
	3720	I/O Module (NP)
	43975	Silicone Lubricant, 1cc



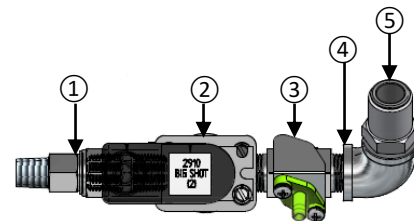
30-B. BIG SHOT		
1	21080040	Housing, Big-Shot, Body, Right
	21080042	Housing, Big-Shot, CVR, Right (NP)
2	21500007	Manifold, 3-Hole, 3/4" Pipe, SCH40
3	41150003	Fitting, Str, Push-Loc, 1/2" T x 3/8 NPT
4	41400003	Adapter, 1/4 NPT, 10°, SST
5	63540	Nozzle, Full Jet 1/4" NPT Full
6	92076-L	Receiver, Infrared 15m Telco
7	92075-L	Transmitter, Infrared, 15m Telco (NP)
	21080039	Housing, Big-Shot, Body, Left (NP)
	21080041	Housing, Big-Shot, Cvr, Left (NP)
	21500008	Manifold, Solution, 2-Hole, 3/4" (NP)
8	22050005	Foam Insulator
9	M388871-A	Bracket w/Heater Strip
10	61915	Valve, 3/8" Dema
11	34440003	Conn, DIN, 2-cond, 18awg, 15M-LG
	80130002	Decal, Housing, Big-Shot (NP)

### 30-B. BIG SHOT™



30-C. BIG SHOT™ INJECTOR ASSEMBLY		
1	43442-S	Hyd. Ftg. Fem. Swivel 3/8" x 1/4" npt
2	61915	Valve, Dema, 3/8"
3	43300009	Injector, .098
4	66293-S	Elbow Pipe, 3/8" SST
5	41150003	Fitting, Str. Push-lock, 1/2" x 3/8" npt

### 30-C. BIG SHOT™ INJECTOR ASSEMBLY



# 2026 PICTORIAL PARTS BOOK



Item Number	Item Description	Price (\$)
011-B	O-Ring 1-1/8ID 3/32 C/S 1-5/16	1.50
011-BU-T	Backup Ring 3/32nom 1.143ID	1.00
10005-WG	Terminal Block 4-pole Grd-Wago	10.25
10007-WG	Terminal Block 2-pole - Wago	2.50
10008-WG	Terminal Block 4-pole - Wago	3.25
10009-WG	Terminal Block 2-pole Grd-Wago	6.75
10010-WG	Terminal Block 3W - Wago	7.75
10011	Terminal Block End Stop	2.00
10012-WG	Terminal Block 2P End Cap Wago	1.50
10013-WG	Terminal Block 4P End Cap Wago	1.75
10014-WG	Terminal Block 3W End Cap Wago	1.25
10015-WG	Jumper - Wago	1.00
10017-WG	Terminal Block 3W Jumper, Wago	17.00
10020-WG	Terminal 2-pole 6GA - Wago	6.00
10021-WG	Terminal 2-pole GND 6GA wago	13.00
10026-WG	Terminal, Double Deck Wago	6.50
10027-WG	Terminal, Quad Deck Motor Wago	20.25
10028-WG	Terminal, Fuse Holder Wago	14.00
10031-AB	Circuit Breaker 1A - AB	178.00
10032-AB	Circuit Breaker 2A - AB small	170.00
10033-AB	Circuit Breaker 7A - AB	170.00
10033-SM	Circuit Breaker, 7A 1P Siemens	36.00
10034-AB	Circuit Breaker 10A - AB	170.00
10035-AB	Circuit Breaker 15A - AB	170.25
10040-FI	Relay & Socket 24VDC Finder	16.75
10041-FI	Relay & Socket 24VDC Solid Stat	38.50
10042-FI	Relay, 24VDC 8 Pin Finder	6.77
10043-AB	Relay Base SPDT - AB	28.00
10043-FI	Relay Base, 8 Pin Finder	7.00
10047-AB	Relay DPDT 10A 24vac - AB	55.00
10106-1A	Roller Assembly, E-Chain	211.25
10106-2A	Roller Assy, E-Chain FSF OBD (	202.75
10106-3A	Roller Assy., E-Chain FSF (9-1	306.00
106-B	O-Ring 1-3/16ID 1/8C/S 1-7/16	1.00
106-BU-T	Backup Ring 1/8Nom 1.203 ID	1.50
10714	Ball 7/16 440 SS (Spray Arch)	1.05
10715	Ball 3/8" 440 SS (VA Spray Arc	1.05
10715-R	Virtual Attendant Retainer	8.35
10789	Manifold Grease 4-hole	43.80
10790	Manifold Grease 5-hole	28.50
10793	Manifold Grease Block 8-hole	45.00
10917-3SD	Sheave 3B 6.2 3 Groove Type SD	140.00
10920-2SD	Sheave, 2B56 SDS	120.00
10921-2SK	Sheave, 2B 11.0 SK	160.00
10932-3SK	Sheave 3B 13.6 3 Groove SK	280.00
10934-3SK	Sheave, 7.4x3B-SK	130.00
11407-SK	30mm Bushing	38.00
11408-SK	Bushing Sheave 35mm Type SK	45.00
11409-SK	Bushing Sheave 40mm Type SK	45.00
11417-SDS	Bushing, Sheave 1-5/8" SDS	29.00
11421-SD	Bushing Sheave 1-7/8 Type SD	47.00
11421-SK	Bushing Sheave 1-7/8 Type SK	33.00
11802-1.90S	Key 5/16 x .19 x 2.0L SS	15.84
11802-2S	Key 5/16 x .25 x 2.0L SS	23.25

Item Number	Item Description	Price (\$)
12091	Drive Coupling 1-3/16 x 1-3/16	114.40
12092	Drive Coupling 1"	132.00
12389	Snap Ring 1"	0.75
13906	Bumper Compression GBR-7	33.05
13920	Bumper, Compression, Belt Tens	25.49
13925	BUMPER,COMP,URETHANE,90 DURO	55.00
13937	Pavement Marker / Reflector	13.50
13938	Epoxy Kit f/ Pavement Markers	65.00
13940-S	Leveling Pad, SS 1/2"-13 thd	21.00
13941-S	Leveling Pad SS 3/8"-16 thd DI	11.00
13976	Bumper Compression GBA-8	75.00
15789	Tire 410/3.50-4 4-ply TubeType	32.00
15790	Tube Inner 410-4	12.00
15791-S	Tire Rim 4 x 1-5/16 Stainless	26.00
17940-R3	Gear Box 30:1 D80 Flange	1400.00
17941-R3	Gear Box 50:1 D71 Flange-R3	1765.00
17942-R3	Gear Box 50:1 D80 Flange-R3	1765.00
17953	Gearbox, Bravo 14:1 1-1/8" Bor	754.71
17954	Gearbox, Bravo 18:1 1-1/8" Bor	695.00
17955	Output Flange, Bravo Gear Box	64.00
17956	Output Spacer Bravo Gearbox	117.75
17957	Gearbox, Bravo 43:1 1" Bore 56	640.50
17958	Gearbox, Bravo 60:1 1" Bore 56	691.00
20010014	BRUSH, TOP, ASSY, BLUE, LXR	3213.17
20010030	BRUSH, TOP, ASSY, BLUE, APEX/PRO	3520.00
20010031	BRUSH, SIDE, ASSY, BLUE, APEX, PRO,	3250.47
20010035	C-CHANNEL, ARCH, LS/RS, SST	407.00
20010046	C-CHANNEL, ARCH, LS/RS, SST, SPCR-	335.00
21000002	BRACKET, SIDEPOD-MNT, 1.75X2.5",	13.50
21000009	BRACKET, MNT, OHD-MANF, SST	36.75
21000013	BRACKET, 7.00X4.75", 30ASST, RZR	39.00
21000014	BRACKET, MNT, OBD-BTM-CVRS, 1.5X2	118.00
21000017	BRACKET, MNT, DRYER-SONAR, .25THK	92.00
21000018	BRACKET, MNT, TUBE, DRYER-SONAR, 1	65.00
21000019	BRACKET, MOUNT, LED, PRO-CVR, PVC	58.00
21000020	BRACKET, MNT, OBD-FG-BTM-CVR, SST	66.00
21000021	BRACKET, LED-MNT, SR, PROFILE, SST	145.00
21000022	BRACKET, LED-MNT, FNF, PROFILE, SS	85.00
21000023	BRACKET, LED-MNT-ATTACH, FNF, PRO	11.00
21000024	BRACKET, MNT, CRG-CVR, RS-ENT/LS-	112.50
21000025	BRACKET, MNT, CRG-CVR, LS-ENT/RS-	112.50
21000026	BRACKET, MNT, LATCH, CARR-CVR, SST	14.25
21000030	BRACKET, MNT, TCF, LS, FRMD, SST	25.25
21000031	BRACKET, MNT, TCF, RS, FRMD, SST	25.25
21000032	BRACKET, MNT, TCF, INS-CVR-PLATE,	46.00
21000037	BRACKET, HSG-MNT, 2-HOLE, SLTD, SS	11.75
21000042	BRACKET, MNT, CRG-ECHAIN, SST, LXR	151.50
21000044	BRACKET, MNT, CVR-ENCL, SST	24.25
21000045	BRACKET, MNT, DUAL-LED, SST	21.00
21000046	BRACKET, MNT, FOAMER-HEAD, SST	37.75
21000048	BRACKET, MNT, 7" LG, SST, EXIT-SPRA	33.25
21000050	BRACKET, MNT, DRYER-LED, HORIZ, SS	62.75
21000051	BRACKET, MNT, DRYER-LED, VERT, SST	101.00
21000052	BRACKET, MNT, DIV-VLV, SST, DEMA	34.00



# 2026 PICTORIAL PARTS BOOK



Item Number	Item Description	Price (\$)
21000053	BRACKET,MNT,DRAIN-VLV,SST	30.75
21000054	BRACKET,MNT,DIV-VLV,SST,DEMA,P	32.00
21000055	BRACKET,MNT,MANF,SIDE-BLSTR	38.25
21000056	BRACKET,MNT,UC-EYE,4"-DROP,SST	32.50
21000061	BRACKET,MNT,FOAMER-HEAD,EXI,SS	35.25
21000065	BRACKET,MNT,CRG-ECHAIN,RZR	115.00
21000069	BRACKET,MNT,SR,CRG,APEX	41.25
21000070	BRACKET,MNT,CVR,RS-EXIT	126.50
21000071	BRACKET,MNT,CVR,LS-EXIT	114.00
21000072	BRACKET,MNT,CVR,RS-ENTR	261.00
21000073	BRACKET,MNT,CVR,LS-ENTR	280.00
21000078	BRACKET,MNT,CRG-ECHAIN,APEX	169.00
21000079	BRACKET,MNT,OBD-ECHAIN,APEX	200.00
21000089	BRACKET,MNT,PHOTO-EYES,ARCH,AP	73.00
21000090	BRACKET,MNT,DIV-VLV,PRO-CRG,SS	48.00
21000091	BRACKET,MNT,E-CHAIN,DBL-STACK,	39.00
21000093	BRACKET,MNT,BELT-TNSN,SIDE-ARM	46.50
21000100	BRACKET,MNT,FP/TCF,LS,FRMD,SST	62.25
21000101	BRACKET,MNT,FP/TCF,RS,FRMD,SST	62.50
21000105	BRACKET,MNT,FLEX-PASS,W/O-TCF,	49.00
21000106	BRACKET,MNT,FLEX-PASS,W/O-TCF,	49.00
21004	Valve Sol 4-way 1/4npt 24vac	127.00
21020002	BRACKET,SUPP,INL-VLV,TANK,RZR	17.00
21020004	BRACKET,SUPP,E-CHAIN-RLR,OB-D-W	22.00
21020008	BRACKET,SPRT,CVR-PROP-ROD,7GA,	63.25
21020011	BRACKET,SPRT,TIRE-SNSR-HSG,PRO	12.25
21020014	BRACKET,SPRT,FNF-SH,PF	32.25
21020016	BRACKET,SPRT,E-CHAIN,SIDE-BR,L	52.50
21020018	BRACKET,RTNR,WLD,1/2"COLLAR,SS	73.00
21020019	BRACKET,RTNR,FORMED,11GA,SST	39.75
21020020	BRACKET,SPRT,TRLY-E-CHAIN,304S	64.00
21020021	COLLAR,SPLIT,RTNR,W/-WLD-BOLT	144.75
21020029	BRACKET,SPRT,CBL-ROUTING,304SS	57.00
21020030	BRACKET,SPRT,TBG-ROUTING,304SS	50.25
21020031	TROUGH,E-CHAIN,AL,LS,PRO	205.25
21040002	BRACKET,SNSR-MNT,14GA,SST	20.50
21040003	BRACKET,TOP-SNR,7GA,SST	54.25
21040004	BRACKET,PROX,F/R,CRG-RAIL,SST	74.00
21040005	BRACKET,SONAR-MNT,DRYER-NZL-SH	20.00
21060002	BRACKET,SAF-CATCH,UND-RAIL,LXR	51.50
21060005	BRACKET,MECH-STOP,ARCH,SST	127.00
21080004	FLAG,CARR,F/R,2.75X11.25"LG,11	14.25
21080006	COVER,LED,END-PTCT,3W,SST	11.00
21080012	COVER,LED-LENS,SR,ACRYLIC,CLR	7.50
21080013	MOUNT,LED-TRAY,EXIRN,PVC,WHT	35.25
21080014	CAP,END,LED-RTNR,SST	8.50
21080015	PLATE,ADPTR,GRBX,CARR-TRLY,REV	138.00
21080016	SHROUD,CARR,BELT-HTR,CC,SST	231.25
21080019	FLAG,CRG,F/R,11GA,SST,LXR	67.25
21080027	COVER,LED-LENS,R/G,ACRYLIC,CLR	4.00
21080028	MOUNT,LED-TRAY,EXIRN,PVC,WHT,P	86.00
21080029	ROD,PROP,CVR-SPRT,SST	121.00
21080032	BLOCK,HINGE,CARR-CVR,PVC,GREY	28.00
21080033	HOUSING,SNR+PHOTO-EYES,VEH-POS	567.25

Item Number	Item Description	Price (\$)
21080034	HOUSING,PHOTO-EYE,TIRE-SNSR,PR	52.00
21080035	PLATE,COVER,SNR-ACCESS,VEH-POS	13.00
21080036	SHAFT,ROLLER,E-CHAIN,RND-BAR,3	87.50
21080037	STRIP,WEAR,TRLY-E-CHAIN,PVC,GR	14.00
21080038	SLEEVE,E-CHAIN-RLR,UHMW,BLK,PR	83.00
21080039	HOUSING,BIG-SHOT,BODY,LEFT,16G	217.00
21080040	HOUSING,BIG-SHOT,BODY,RIGHT,16	217.00
21080041	HOUSING,BIG-SHOT,CVR,LEFT,16GA	57.75
21080042	HOUSING,BIG-SHOT,CVR,RIGHT,16G	57.75
21080043	COVER,LED-LENS,SR+,ACRYL,CLR	23.00
21080044	MOUNT,LED-TRAY,EXIRN,PVC,WHT,S	180.00
21080045	MOUNT,LED-ASSY,TOP,SST	614.75
21080046	MOUNT,LED-ASSY,BOT,SST	676.15
21080047	MOUNT,XBAR,LED-ASSY,SST	417.50
21080059	HOUSING,PHOTO-EYE,UC,SST	70.25
21080061	CAP,END,DUAL-LED-RTNR,SST	10.75
21080062	MOUNT,LED-TRAY,EXIRN,PVC,WHT,L	51.00
21080063	COVER,LED-LENS,ACRYL,CLR,LUMEN	3.50
21080067	BLOCK,2x2.875x5"LG,UHMW,BLK	54.00
21080069	BRACKET,BENT,W/CPLG,3/8"	87.25
21080070	PLATE,2.5"X4",ARCH-CVR,DBL-BRL	40.25
21080072	HOUSING,SONAR,2.5" TUBE,SST,PTD	68.50
21080073	PLATE,CLAMP,LIFT-BELT,304SS	5.00
21080074	PLATE,BACKER,WHEEL-SPINNER	31.00
21080079	SLIDER,BEARING,ARCH-CHAN,NYLAT	393.75
21080091	PLATE,MNT,ARCH-PHOTO-EYES,PLST	117.75
21080092	PLATE,CNCL,ARCH,SST,APEX	160.50
21080096	COVER,LED-LENS,WP,ACRYL,BLU	11.75
21080098	PLATE,SPRT,GBR-10,304SS	11.25
21080099	BLOCK,SAF-STOP,1"X3.75",UHMW,B	27.25
21080100	BLOCK,SAF-STOP,1.75"X3.75",UHM	29.25
21080101	ANGLE,2.0X2.0X42.88X.13"THK,30	81.00
21080106	PLATE,RETAINER,SST,ARCH,DBL-BR	21.75
21080107	PLATE,LIFT,SST,ARCH,DBL-BRL	98.25
21110002	WELDMENT,SPRAY-MANF,LS	463.00
21110003	WELDMENT,SPRAY-MANF,RS	463.00
21120002	TROLLEY,FORMED,SIDE-BR,SST,APE	360.25
21160001	WELDMENT,ARCH,SIDE,SST,DBL-BRL	1770.00
21160002	WELDMENT,ARCH,TOP,SST,DBL-BRL	1030.00
21160003	WELDMENT,ARCH,TOP,SST,APEX	2668.00
21160004	WELDMENT,ARCH,SIDE,SST,HYPFRC	2470.00
21160005	WELDMENT,ARCH,TOP,SST,HYPFRC	1454.50
21160006	WELDMENT,ARCH,TOP,100.64"OAL,S	2429.75
21180002	WELDMENT,PWR-TWR,4-HOLE,W/CROS	430.00
21220001	PEDESTAL,WLDMT,1" TUBEX38"LG,SS	132.75
21220002	PEDESTAL,WLDMT,1" TUBEX8"LG,SST	67.00
21220003	PEDESTAL,WLDMT,2" TUBEX79"LG,SS	367.00
21220005	PEDESTAL,WLDMT,2" TUBEX70",SST	485.00
21220006	WLDMNT,DROP-DWN,E-CHAIN-SPRT,F	240.25
21220009	WLDMNT,2"NIP-W/PLATE,1/4NPT,SS	52.25
21230002	PANEL,PMP-STN,LP,SST,LXR	139.75
21230003	PANEL,PMP-STN,LP,SST,APEX	120.00
21250001	PANEL,44"X41",ABS,WHT,W/KO	225.25
21250002	PANEL,44"X41",ABS,WHT	216.75



# 2026 PICTORIAL PARTS BOOK



Item Number	Item Description	Price (\$)
21250003	PANEL,44"X33.5",ABS,WHT,W/KO	233.75
21250004	PANEL,44"X33.5",ABS,WHT	216.75
21280001	COVER,CARR,FR,W/SPECTRARAY-LED	1265.00
21280003	COVER,CARR,REAR,W/FNF-LED-MNT,	1252.00
21280007	COVER,CARR,OBJ-BTM,FRMD,ABS,WH	795.00
21280008	COVER,DRYER,FR,W/LED,ABS	1012.00
21280009	COVER,CARR,F/R,ABS,FRMD,XR-7	888.00
21280015	COVER,PWR-TWR,BLU,PLSTC	101.00
21280016	COVER,PWR-TWR,W/LED-SLOTS,BLU,	115.00
21280017	COVER,SPRAY-ARCH,LWR-REAR,BLUE	149.50
21280018	COVER,SPRAY-ARCH,LWR-FR,BLUE,P	170.00
21280019	COVER,SPRAY-ARCH,MID-REAR,BLUE	227.70
21280020	COVER,SPRAY-ARCH,MID-FR,BLUE,P	115.00
21280021	COVER,SPRAY-ARCH,TOP-REAR,BLUE	150.00
21280022	COVER,SPRAY-ARCH,TOP-FR,BLUE,P	132.25
21280030	COVER,SIDE-ARM,LS-HP,ABS,WHT	660.00
21280031	COVER,SIDE-ARM,LS-LP,ABS,WHT	660.00
21280032	COVER,SIDE-ARM,RS-HP,ABS,WHT	660.00
21280033	COVER,SIDE-ARM,RS-LP,ABS,WHT	660.00
21280034	COVER,PWD,LS,T+TL,ABS,WHT	660.00
21280035	COVER,PWD,RS,T+TL,ABS,WHT	660.00
21280042	COVER,SA,SIDE,BLUE,PLSTC,HYPFR	216.00
21280044	COVER,SA,MID-FR,BLUE,PLSTC,HYP	120.00
21280045	COVER,SA,TOP,BLUE,PLSTC,HYPFRC	183.00
21320001	ROD,TIE,21"LG,SST,RAIL-MNT	114.25
21320002	ROD,TIE,28"LG,SST,RAIL-MNT/TEN	132.00
21320003	ROD,TIE,34.5"LG,SST,RAIL-MNT	135.50
21320004	ROD,TIE,13"LG,SST,TENSIONER	102.50
21320005	ROD,TIE,15"LG,SST,TENSIONER	113.50
21320006	ROD,THREADED,3/4-10UNC,15"LG,S	38.50
21320007	ROD,THREADED,1/2-13UNC,14.5"LG	22.75
21380002	TUBE,4X4X13.75"LG,FSF-EXI,304S	184.00
21380011	WELDMENT,RISER,FSF-EXI,SST	240.00
21420001	BUMPER,COMP,5/8ID,POLYURETHANE	32.00
21420002	BUMPER,COMP,1100LBS,GBR-10	85.00
21430001	MOUNT,CARR-RAIL,BELT-TENS,SST	14.75
21430002	SLIDE,CARR-BELT-TENS,SST	57.75
21430003	PLATE,CLAMP,CARR-BELT-TENS,SST	9.50
21430004	PLATE,BACKER,CARR-BELT-TENS,SS	7.50
21500001	MANIFOLD,3-HOLE,FNF,PUMP-ST,SS	73.50
21500002	MANIFOLD,4-HOLE,HYPRFLX,PUMP-S	85.14
21500003	MANIFOLD,MXG,FNF,PUMP-ST,PVC	258.00
21500004	MANIFOLD,1.5DIAX8"LG,W/2HOLES,	74.50
21500005	MANIFOLD,MXG,HYPRFLX,CARR,RZR,	346.50
21500006	MANIFOLD,W/FOAMER-PINS,1",SST	132.50
21500007	MANIFOLD,3-HOLE,3/4PIPE,SCH40,	248.00
21500008	MANIFOLD,2-HOLE,1/2"NPT,SST,MA	136.75
21500009	MANIFOLD,RCKR-BLSTR,2-HOLE,3/4	50.50
21500012	MANIFOLD,2-HOLE,1/2",10-DEG-RH	130.50
21500013	MANIFOLD,2-HOLE,1/2",10-DEG-LH	130.50
21500014	WELDMENT,TUBE,1/2"TX1"NPT-ADPT	214.75
21500015	MANIFOLD,WLD,VIRTUAL-ATTENDANT	529.00
21500018	MANIFOLD,WLD,1"PIPE,5-HOLE,LS,	334.75
21500019	WELDMENT,TEE,1/4",W/DROP-BRKT,	54.75

Item Number	Item Description	Price (\$)
21500020	MANIFOLD,WLD,1"PIPE,5-HOLE,RS,	335.25
21500021	MANIFOLD,WLD,6-HOLE,1/2PIPE,SS	174.75
21500022	MANIFOLD,WLD,2-HOLE,1/2"NPT,SS	78.50
21500023	MANIFOLD,WLD,6-HOLE,1/2"NPT,SS	203.50
21500024	MANIFOLD,BLOCK,3-HOLE,7-DEG,SS	106.75
21550001	LINE,GREASE,CARR,LS,EX,IDLER	24.25
21550002	LINE,GREASE,CARR,LS,ENT,IDLER	21.00
21550003	LINE,GREASE,CARR,RS,EX,IDLER	23.00
21550004	LINE,GREASE,CARR,RS,ENT,IDLER	20.00
22040019	BACKPLATE,STR,PRODUCER-MNT,SLT	Call For Price
22040021	NOZZLE-EXTENSION,DRYER-OUTLET,	Call For Price
22040022	SCREEN,DRYER-INL,RND,SST	Call For Price
22040023	INLET-CONE,DRYER,RND	Call For Price
22040024	BUSHING,DRYER-HUB,1X3/8",SST	Call For Price
22040025	HUB,DRYER-IMPIR,8-HOLE,SST	Call For Price
22040026	IMPELLER-WHEEL,DRYER,7.5HP,RH	Call For Price
22040027	IMPELLER-WHEEL,DRYER,7.5HP,LH	Call For Price
22040028	IMPELLER-WHEEL,DRYER,10HP,RH	Call For Price
22040029	IMPELLER-WHEEL,DRYER,10HP,LH	Call For Price
22040030	IMPELLER-WHEEL,DRYER,15HP,RH	Call For Price
22040031	IMPELLER-WHEEL,DRYER,15HP,LH	Call For Price
22040032	HOUSING,DRYER,RH,CMPST	Call For Price
22040033	HOUSING,DRYER,LH,CMPST	Call For Price
22040034	SCREEN,DRYER-OUTLET,SQ,SST	Call For Price
22040035	NOZZLE,DRYER-OUTLET,STD,CMPST	Call For Price
22040036	NOZZLE,DRYER-OUTLET,RND,CMPST	Call For Price
22040037	NOZZLE,DRYER-OUTLET,DUAL,CMPST	Call For Price
22040038	SILENCER,DRYER,CONE,FGL	Call For Price
22040041	BACKPLATE,SWIVEL,PRODUCER-MNT,	Call For Price
22050001	SPRING,1.25LG,.688OD,.50ID,302	7.00
22050002	SPRING,1.25LG,.72OD,.576ID,302	7.00
22050003	SPACER,.5LG,.75OD,.38ID,NYLON,	2.00
22050004	SPRING,1.75LG,.72OD,.55ID,302S	7.00
22050005	FOAM,INSULATOR,BIG-SHOT,3"X3"X	20.00
22050006	FOAM,INSULATOR,PHOTO-EYE-HSG	18.00
22050007	SPACER,3"LG,5/16"ID,3/4"OD,NYL	3.00
22050008	FOAM,ARCH-FACE,LWR-HP,BLK,DBL-	75.00
22050009	FOAM,ARCH-FACE,MID-HP,BLK,DBL-	45.00
22050010	FOAM,ARCH-FACE,LWR-LP,BLK,DBL-	75.00
22050011	FOAM,ARCH-FACE,MID-LP,BLK,DBL-	45.00
22050012	SLEEVE,COMP,1/2"ID,PLSTC,HDPE	21.00
22050013	ADAPTER,INP-FLANGE,GRBX	83.00
22050015	FOAM,ARCH-FACE,LS-OUT	111.25
22050016	FOAM,ARCH-FACE,RS-OUT	111.25
22050017	FOAM,ARCH-FACE,LS-MID	156.25
22050018	FOAM,ARCH-FACE,RS-MID	156.25
22050019	COLLAR,SPLIT,1"ID,SST	22.00
22050020	COLLAR,HALF-SPLIT,20MM-ID,SST	115.00
22050021	FOAM,SHEET,ARCH-CNCL,NPRN,GRY	107.50
22050022	FOAM,CONVOLUTED,2"X43"X37.23",	100.00
22050023	FOAM,CONVOLUTED,2"X43"X33.5",B	110.00
22050026	FOAM,ARCH-FACE,LWR,LS,BLK,HYPF	85.00
22050027	FOAM,ARCH-FACE,LWR,RS,BLK,HYPF	72.00
22050028	FOAM,ARCH-FACE,MID,LS,BLK,HYPF	53.00



# 2026 PICTORIAL PARTS BOOK



Item Number	Item Description	Price (\$)
22050029	FOAM,ARCH-FACE,MID,RS,BLK,HYPF	53.00
22060001	CAP,1x1",PLSTC,BLK	0.75
22060002	HUB,BRUSH,4"H,PLSTC	Call For Price
22060003	CLIP,BRUSH,HUB-INSR,PLSTC	Call For Price
22060004	PLATE,RTNR,BRUSH,STL	Call For Price
22060005	SPACER,FOAM,BRUSH,2"X7",BLK	Call For Price
22060006	SPACER,FOAM,BRUSH,3"X7",BLK	Call For Price
22060007	SHAFT,SIDE-BRUSH,AL,85.875	Call For Price
22060008	SHAFT,TOP-BRUSH,AL,110"	Call For Price
22060009	BRUSH,INDV,4MM,4"X31",BLUE	6.75
22060010	BRUSH,INDV,4MM,4.5"X31.5",BLUE	6.75
22060011	BRUSH,INDV,4MM,4.5"X27.5",BLUE	6.00
22060012	BRUSH,INDV,4MM,4"X35.5",BLUE	8.00
22060013	BRUSH,INDV,4MM,4.5"X40",BLUE	9.00
22060014	BRUSH,INDV,4MM,4"X42.5",BLUE	5.50
22060015	BRUSH,INDV,4MM,4"X49.5",BLUE	7.00
22060024	BRUSH,INDV,4MM,4"X40",BLUE	5.00
22060025	BRUSH,INDV,4MM,4"X43",BLUE	5.50
22060026	BRUSH,INDV,4MM,4"X47",BLUE	6.00
22060071	HOUSING,RO-MEMBRANE,4"X40",FGL	295.00
22060072	SPACER,FOAM,BRUSH,4"X7",BLK	14.00
22910-FB	Compression Fitting, Straight	3.00
22913-PB	Tube Fit Male 1/4T x 1/8npt	7.00
22914-PB	Tube Fit Male 1/4T x 1/4npt	6.25
22925-PB	Tube Fit 3/8T x 1/4npt	5.25
22927-PB	Tube Fit 3/8 x 3/8npt	10.25
22928-PB	Tube Fit 3/8T x 1/4npt w/BV	31.00
22929-PB	Tube Fit 3/8T x 3/8fnpt	5.00
22930-NY	Tube Fit 3/8" Tee nylon	7.00
23010001	GEARBOX,50:1,1-5/16"SS-BORE,NO	1031.25
23010002	GEARBOX,25:1,1"SS-BORE,NO-PNT,	683.00
23010003	GEARBOX,10:1,20MM-SHAFT	945.00
23030001	BEARING,NYLATRON,SPLIT,3/4"THK	56.60
23030002	BEARING,FLG,1-1/8"DIA,PLSTC	160.00
23030003	BEARING,4-BOLT-FLG,BRUSH-SHAFT	218.65
23030004	BEARING,SPLIT,DRIVE-SHAFT-SPRT	15.25
23030005	BUSHING,PWD,PIVOT,UHMW	44.75
23030006	BEARING,SPLIT,1"ID,NYLATRON	149.75
23030007	BUSHING,BEARING,2-1/8"ID,3.5"O	80.00
23056-PB	Tube Ftg, Union 1/2"T x 3/8"T	2.50
23060001	PULLEY,FIXED,1.25"OD,1/4"GRV,U	99.75
23060002	ROLLER,IDLER-PUL,5.38"DIA,CRG	198.00
23060-PB	Tube Fit Union 1/2" Composite	3.50
23090002	SHEAVE,3-GROOVE,3.5"TPR-BORE,6	247.00
23120002	SHAFT,HOLLOW,1-3/16DIA	352.50
23120003	SHAFT,BEARING,ARCH-ROLLUP,1",3	163.50
23120004	SHAFT,DRIVE,ARCH-ROLLUP,1",303	456.00
23120005	SHAFT,GRBX,ARCH-ROLLUP,1",303S	232.75
23120006	SHAFT,ECCENTRIC,1",SIDE-ARM,SS	160.50
23170-FB	Compression Fitting, Elbow	5.00
23180002	ROLLER,SPRT,SHAFT,SST,10106-1A	67.00
23180003	ROLLER,SPRT,SHAFT,SST,10106-2A	100.25
23180004	ROLLER,SPRT,SHAFT,SST,10106-3A	95.00

Item Number	Item Description	Price (\$)
23180005	ROLLER,SPRT,RLR-CASE,UHMW,10106-1A	48.00
23180006	ROLLER,SPRT,RLR-CASE,UHMW,10106-2A	68.00
23180007	ROLLER,SPRT,RLR-CASE,UHMW,10106-3A	82.25
23180008	ROLLER,SPRT,END-STOP,UHMW,10106-1/2/3A	46.00
23180009	ROLLER,SPRT,SHAFT,SST,10110-1A	132.00
23180010	ROLLER,SPRT,RLR-CASE,UHMW,10110-1A	99.75
23180011	ROLLER,SPRT,END-STOP,UHMW,10110-1A	94.25
23180012	ROLLER,SPRT,ASSY,CRG-E-CHAIN,F	269.75
23180013	ROLLER,SPRT,SHAFT,SST,23180012	79.00
23180014	ROLLER,SPRT,RLR-CASE,UHMW,2318	81.50
23210001	BELT,3V-BAND,68",BX65,COGGED	117.50
23210003	BELT,3V-BAND,67"OD,BX64,COGGED	120.00
23225-PB	Tube Fit Male Swvl 1/4Tx1/4npt	4.00
23237-PB	Tube Fit Swivel 3/8Tx1/4mpt	15.00
23239-PB	Tube Fit Male Swvl 3/8Tx3/8npt	18.00
23240001	GUARD,SPLASH,PMP-STN,1/4"THK,A	60.00
23240003	COVER,PHOTO-EYE-HSG,STOP-BU,SS	35.75
23240004	COVER,PHOTO-EYE-HSG,UC,SST	17.00
23240012	PLATE,SAF,BR-ROT,304SST	32.50
23242-PB	Tube Fitting 1/2Tx1/2npt nylon	7.50
23243-PB	Tube Ftg, Elbow 1/2"T x 1/4"np	7.75
23245-PB	Tube Fit Elbow 1/2T x 1/2npt	7.50
23247-PB	Tube Ftg, 1/2"Tx3/8"NPT 90deg	7.75
23256-PB	Tube Ftg, 1/2Tx1/2Tx1/4T	24.00
23260-PB	Tube Ftg, Tee 1/4"mpt x 1/2"T	8.50
23914	Pressure Gauge, 0-100 psi R.O.	45.00
23920	Gauge 0-160psi 1/8cbm 1-1/2	22.00
23936	Pressure Gauge, 0-300psi R.O.	31.00
24000	Gauge 0-2000psi 1/4cbm Liq.	32.00
25035	FILTER,AIR,5 MICRON,1/4NPT	61.00
25036	FILTER,AIR,3 MICRON,1/4NPT	95.00
25037	BRACKET,FILTER,MODULAR/JOINER	9.80
25049	Regulator 1/4 Mini 125psi	119.00
25050	Regulator 3/8"	154.00
25199	Bracket Regular Mini	22.00
25200	Bracket Regulator 3/8"	28.00
25205	REGULATOR,AIR,EL PNEU,4-20MA	388.51
25210	BRACKET,REGULATOR,AIR,EL PNEU	16.75
280-120	Wago Screw Driver, Metal	15.50
28894	Contacto 9A 24vac (Tele)	88.75
28894-AB	Contacto 9A 24vac AB	193.25
28916-24AB	Contacto 12A 24vac - AB	270.00
28994	Contacto 32A 24v 50/60Hz Coil	164.00
29091	Contacto 80A 24vac (Tele)	316.25
29095-24	Contacto 50A 24vac (Tele)	273.00
29097	Contacto, 9A 24VAC Siemens	55.00
29391-AB	Overload Relay 1-5A - AB	135.75
29396	Overload Relay 63-80A	131.50



# 2026 PICTORIAL PARTS BOOK



Item Number	Item Description	Price (\$)
29402	Overload Relay 23-32 A- LC1D32	68.00
29405	Overload Relay 37-50	109.50
29408-AB	Overload 3.2-16A AB	135.75
29412	Overload Relay 16-24A (Tele)	68.00
29908	Switch Float 1/4 Bung	53.00
29994	Switch Push Button 22mm, Black	6.75
29999-2POS	Switch Selector Key 7/8 2pos	26.50
29999-3POS	Switch Selector Key 7/8 3pos	26.50
2P808	1/2" 80 Mesh Y-Strainer	54.50
2P810	1" 80 Mesh Y-Strainer BR	125.00
30000	Key, Square D Key Switch	29.00
30004	Switch, Push/Pull E-Stop	21.00
30005	Switch, Push/Pull E-Stop (AB)	110.75
30007	Switch, Push/Pull Black SQD	33.75
30010001	ENCL,ASSY,PMP-STN,FR-PNL,5.5X9	520.25
30010002	ENCL,ASSY,CARR,12X10",RZR	575.50
30010003	ENCL,ASSY,TRLY,6X8",RZR	376.75
30010004	ENCL,ASSY,BAY,12x10",RZR	444.50
30010005	ENCL,ASSY,PWR-SPLY,SR,RZR	606.75
30010006	ENCL,ASSY,HYPER-FLEX-OPT,RZR	368.75
30010007	ENCL,ASSY,CRG-BAY-BOX,LXR	658.00
30010008	ENCL,ASSY,PMP-STN,FR-PNL,LXR	354.25
30010009	ENCL,ASSY,LS-CRG,LXR	529.00
30010010	ENCL,ASSY,RS-CRG,LXR	566.25
30010011	ENCL,ASSY,LS-CRG,APEX	843.50
30010012	ENCL,ASSY,RS-CRG,APEX	797.75
30010013	ENCL,ASSY,CRG-BAY-BOX,APEX	713.25
30010014	ENCL,ASSY,PMP-STN,FR-PNL,APEX	420.00
30010015	ENCL,ASSY,208V,MOT-STARTER,HYP	1734.50
30010016	ENCL,ASSY,460V,MOT-STARTER,HYP	699.00
30010017	ENCL,ASSY,575V,MOT-STARTER,HYP	699.00
30010018	ENCL,ASSY,415V,MOT-STARTER,HYP	903.00
30020025	KIT,WIRE,PWR-CORD,RO	44.25
30030001	KIT,ASSY,PC,RASP-PI,UCC	412.25
30093	Contact Block, N.C. - SQD	13.00
30093-BASE	Base, Contact Block - SQD	4.50
30094	Contact Block, 1 NO	11.50
30098	Contact Block, 1 NC - AB	47.50
30099	Contact Block, 1 NC	11.75
30110001	ENCL,ASSY,CHEM-ALERT,6X8",FGL	355.75
30789	Joystick Operator, 4-pos	208.25
30907	Relay SPDT 10A 24vac Coil	9.50
30913	Relay SPDT 10A 24vdc Coil	8.00
30927	Relay DPDT 10A 24vac Coil	23.75
30928	Relay, SPDT 24vac 8 Bl Siemens	16.50
30929	Relay Base, SPDT 24vac Siemens	8.00
30995	Relay Socket 5 BL	6.91
31000	Relay Socket 14 BL	8.25
31010001	MOTOR,1/2HP,208/230VAC,IEC71L-	398.00
31010006	MOTOR,STEPPER,1.8DEG,NEMA34,2P	540.25
31019	Relay Socket 11-pin Carlo	18.50
31030001	MOTOR,1HP,230/460V,3PH,1745RPM	581.50
31060001	MOTOR,7.5HP,230V,60HZ,3PH	Call For Price
31060002	PRODUCER,FIXED,5HP,60HZ	Call For Price

Item Number	Item Description	Price (\$)
31090001	MOTOR,1/8HP,230/460V,60HZ,3PH,	1089.00
31140001	MOTOR,40HP,230/460V,60HZ,3PH,B	4500.00
31200001	CONTACTOR,12A,24VAC,NO-SPRG,SI	66.25
31220001	CONTACTOR,24VAC/VDC,115A,3P,50	663.00
31400001	DRIVE,VAR-FREQ,1/2HP/0.37KW,1P	434.00
31400002	DRIVE,STEPPER,20-80VDC,NEMA23/	722.50
31410001	DRIVE,VAR,3/4HP & 1HP,SIEM	516.00
31420001	DRIVE,VF,1HP,240VAC,3PH,PF523-	1019.00
31420002	DRIVE,VF,1HP,200-240VAC,1PH,PF	1150.00
31430001	DRIVE,VF,2HP,240VAC,3PH,PF523-	1275.00
31460001	MOT-STR,SOL-STATE,REVRSG,24VDC	300.00
31520001	OVERLOAD,250VAC,0.8-12A,3P	75.75
31540001	OVERLOAD,1000V,50-200A,3P,50/6	375.75
31580001	CIR-BRKR,4A,1P,C-TRIP,L9-4/1/C	27.25
31590001	CIR-BRKR,10A,1P,C-TRIP,SS	19.75
31590002	CIR-BRKR,6A,1P,C-TRIP,L9-6/1/C	27.25
31590003	CIR-BRKR,10A,1P,C-TRIP, L9-10/	27.25
31590004	CIR-BRKR,7A,1P,C-TRIP, L8-7/1/	19.75
31590005	CIR-BRKR,2A,1P,C-TRIP, L8-2/1/	19.75
31590006	CIR-BRKR,6A,1P,C-TRIP, L8-6/1/	19.75
31600001	CIR-BRKR,15A,1P,C-TRIP,L9-15/1	27.25
31640001	CIR-BRKR,4A,2P,D-TRIP,L9-4/2/D	84.50
31650001	CIR-BRKR,,10A,2P,C-TRIP, L9-10	54.25
31660001	CIR-BRKR,13A,2P,D-TRIP, L9-13/	62.50
31730001	PROTECTOR,CIRCUIT,4.5-6.3A,3P,	204.00
31760001	FUSE,3A,ATO-3	1.13
31770001	FUSE,7.5A,ATO-75	1.00
31850001	FILTER,PROT,HYDRO-PHBC,PWD-MTR	53.00
31915	Thermostat, Profile UCC	35.50
32010001	XFMR,75VA,120/240VAC-24VAC,1PH	112.50
32050001	MODULE,PWR-SPLY,4-CHAN,24VDC,0	232.25
32050002	PWR-SPLY,24VDC,151.2W,IP67,CL2	121.75
32050003	PWR-SPLY,24VDC,151W,47-63HZ,IP	140.00
32050004	MODULE,PWR-SPLY,4-CHAN,24VDC,1	276.00
32060001	PWR-SPLY,48V,AC/DC,480W,10A	277.25
32070001	PWR-SPLY,12VDC,35W,IP67,CL2	60.00
32110001	DISCONNECT,SWITCH,600V,100A,3P	456.75
32640002	KEY,UCC,UNIVERSAL	40.25
32710001	CONTACT,BLOCK,NO,SQD	9.25
33020001	PLC,CPU-1215,14DI/10DO/2AI/2AO	1866.25
33120001	ANALOG,I/O,24VDC,60MA,4INP-2OU	759.00
33190002	SWITCH,ETHERNET,5-PORT,18-30V,	217.75
33225-A	Cable, 6 Cond. Audio Preassemb	31.00
33240001	CARD,MEMORY,SD,24MB,SIMATIC	569.25
33250	CABLE,REGULATOR,AIR,EL PNEU	80.25
33250001	DISPLAY,HMI,7"SCRN,24V,TFT	1430.25
33255	Cord Temperature Probe 50'	69.00
33259	Cord Prox 2m 90deg	11.75
33263	Cord Prox 90deg 5m	17.50
33270	Cord, Prox 15m 90deg P&F	24.25
33270004	ROUTER,REM-ACCESS,EXP,EWON,COS	1295.00
33272	Cord, P&F Sonar 15m	73.25
33276-L	E-Chain Linkage KR190 KS	18.00
33276-SL	E-Chain Linkg w/Slot KR190 KS	15.00



# 2026 PICTORIAL PARTS BOOK



Item Number	Item Description	Price (\$)
33277-C	Crosslink, KS KR130	15.00
33281-L	E-Chain Linkage Igus 27.07.200	15.00
33283	E-Chain Igus - Carriage	1231.75
33283-A	E-Chain Assembly	3329.75
33283-C	E-Chain Crosslink Igus 450.10	6.50
33283-D	E-Chain Divider Igus 401	3.25
33283-E	E-Chain End Mnt Igus	80.00
33283-L	E-Chain Linkage Igus E4.56.01	18.50
33283-P	E-Chain Pivot Igus E4.56.02.20	16.00
33284-C	E-Chain Crosslink, Igus 450.25	13.00
33285	E-Chain Divider KS	0.75
33287	E-Chain Crosslink 5.22" KS	4.25
33289-S	Festoon Connector Clamp SS	48.00
33290001	DRIVE,FLASH,USB-3.0,16GB	53.00
33290002	CARD,MICRO-SD,16GB,UHS-1	130.00
33291	Festoon Cable Clamp Stationary	33.00
33292-S	Festoon Track Rail SS 13'.124	322.00
33293	Festoon Roller f/Rail	37.00
33294-S	Festoon Support Bracket SS	40.00
33300002	BOARD,CONTROLLER,RO	925.00
33300-A-DS/LS	E-Chain, Profile Igus LS Preas	6676.00
33300-A-PS/RS	E-Chain, Profile Igus RS Preas	6632.75
33301	E-Chain, Igus Side Brush	186.00
33302	E-Chain, Igus Wheel Scrubber	401.35
33303	E-Chain, Igus Top Brush	121.00
33365	Cable, 4 Cond. 18 ga Chainflex	3.50
33381	CABLE,18-COND,378"LG,CRG,CF05-	386.00
33382	CABLE,18-COND,133"LG,TRLY,RS,C	120.00
33400001	SPEAKER,AUDIO,24VDC,16-MESSAGE	600.00
33460002	REMOTE,TRANSMITTER,6-FUNC,LXR	246.12
33460003	REMOTE,TRANSMITTER,8-FUNC,APEX	428.05
33510001	SENSOR,PELEC,EMITTER,10-30VDC,	88.00
33510002	SENSOR,PELEC,RCVR,10-30VDC,25M	120.25
33510003	SENSOR,PELEC,EMITTER,18M-RNG	46.00
33510004	SENSOR,PELEC,RCVR,40M-RNG	65.00
33510005	SENSOR,PELEC,12MM,EMITTER	254.00
33510006	SENSOR,PELEC,12MM,RCVR	374.50
33530001	SENSOR,ULTRSN,30MM,ANLG-4-20M	534.00
33530003	SENSOR,ULTRSN,30MM,4-20MA,STR,PLSTC,LH-SIDE	583.75
33530004	SENSOR,ULTRSN,30MM,4-20MA,STR,PLSTC,RH-SIDE	583.75
33530005	SENSOR,ULTRSN,30MM,4-20MA,STR,PLSTC,RZR-REAR	583.75
33530006	SENSOR,ULTRSN,30MM,4-20MA,STR,PLSTC,PRO-TOP	583.75
33560001	SENSOR,LEVEL,90DEG,20-30VDC,IF	261.25
33570002	SENSOR,STRING-POT,PRGMD,ARCH,F	1845.00
33570003	SENSOR,STRING-POT,PRGMD,TOP-BR	1800.00
33610001	SENSOR,CNDCT,TDS-METER	85.00
33789	Grounding Lug 14-4awg Copper	7.50
33800	Enclosure 6 x 8	122.25
33801	Panel 6 x 8	30.50
33802	Enclosure 12 x 10	162.75

Item Number	Item Description	Price (\$)
33803	Panel 12 x 10	30.00
33904	Enclosure 3 x3 x2.6 Poly w/Cvr	45.50
33914	Enclosure 5.5x9 Poly w/1" Cvr	153.00
33939	Enclosure 220x300x150 pvc J3	320.00
33944	Enclosure 220x170x80 J4	190.00
33949	Enclosure 15 x 11 Poly J2	425.75
33959	Enclosure Poly 10 x 7 J6	170.00
33961	Window Kit Poly f/1B Washview	388.00
34130001	JUMPER,STRIP,20W,36A,250V,BLUE	2.75
34130002	JUMPER,STRIP,20W,36A,250V,RED	2.75
34150001	CAP,END,FUSE-TERM,WAGO	1.50
34160001	CAP,END,TERM,32-CONN,WEID	1.75
34160002	TERMINAL,PYRAMID,32-CONN,WEID	41.00
34200003	COIL,VALVE,1"NC,24V,50-60HZ,DE	51.50
34200004	COIL,VALVE,1"NO,24V,50-60HZ,DE	58.65
34200005	COIL,ACTUATOR,24VAC,NC,L-SWITC	139.25
34210004	E-CHAIN,CRG,201.5"LG,IGUS,E4-8	1590.00
34210006	E-CHAIN,CRG,INS,APEX	1616.00
34210007	E-CHAIN,CRG,OUT,APEX	2589.50
34210008	E-CHAIN,TOP-ARCH,APEX	621.75
34210009	E-CHAIN,SIDE-BR,APEX	79.50
34210010	E-CHAIN,TOP-BR,49-LINKS	72.75
34220001	LINK,E-CHAIN,INS-PIVOT,HYPFLX,	34.00
34220002	LINK,E-CHAIN,END-MNT,TRLY,MALE	36.25
34220003	LINK,E-CHAIN,END-MNT,TRLY,FEMA	36.25
34220007	LINK,E-CHAIN,OUT-STA,CRG,RZR,E	21.00
34220008	LINK,E-CHAIN,INS-PIVOT,CRG,RZR	21.00
34350001	CABLE,PRO,20AWG,534",25-COND,L	860.25
34350002	CABLE,PRO,20AWG,378",25-COND,L	629.50
34350003	CABLE,PRO,18AWG,534",25-COND,L	866.47
34350004	CABLE,PRO,18AWG,378",18-COND,L	531.50
34350005	CABLE,PRO,20AWG,378",25-COND,R	629.50
34350006	CABLE,PRO,20AWG,534",25-COND,R	841.50
34350007	CABLE,PRO,18AWG,378",25-COND,R	590.00
34350008	CABLE,PRO,18AWG,534",18-COND,R	709.00
34350009	CABLE,25-COND,20AWG,SHLD,600V,	17.25
34350010	CABLE,25-COND,18AWG,SHLD,600V,	18.25
34350011	CABLE,LXR,LS,18-COND,20AWG,YEL	724.00
34350012	CABLE,LXR,LS,18-COND,20AWG,GRN	365.00
34350013	CABLE,LXR,LS,18-COND,18AWG,RED	668.00
34350014	CABLE,LXR,LS,7-COND,18AWG,BLU,	237.00
34350015	CABLE,LXR,RS,18-COND,20AWG,YEL	414.75
34350016	CABLE,LXR,RS,18-COND,20AWG,GRN	535.00
34350017	CABLE,LXR,RS,18-COND,18AWG,RED	457.00
34350018	CABLE,LXR,RS,7-COND,18AWG,BLU,	269.25
34350020	CABLE,APEX,LS,36-COND,18AWG,RE	1709.75
34350021	CABLE,APEX,LS,36-COND,18AWG,GR	1228.00
34350022	CABLE,APEX,LS,25-COND,17AWG,BL	1069.75
34350024	CABLE,APEX,RS,36-COND,18AWG,RE	1295.75
34350025	CABLE,APEX,RS,36-COND,18AWG,GR	1745.00
34350027	CABLE,APEX,ARCH,4-COND,14AWG,2	190.50
34350028	CABLE,7-COND,18AWG,SHLD,600V,C	7.75
34350029	CABLE,18-COND,18AWG,SHLD,600V,	15.75
34350030	CABLE,18-COND,20AWG,SHLD,600V,	14.00



# 2026 PICTORIAL PARTS BOOK



Item Number	Item Description	Price (\$)
34350031	CABLE,25-COND,17AWG,SHLD,600V,	24.75
34350032	CABLE,36-COND,18AWG,SHLD,600V,	28.00
34350033	CABLE,APEX,RS,25-COND,20AWG,YE	609.75
34350034	CABLE,APEX,RS,25-COND,18AWG,BL	902.00
34350035	CABLE,APEX,LS,25-COND,20AWG,YE	813.50
34350036	CABLE,APEX,LS,25-COND,18AWG,BL	649.75
34350037	CABLE,APEX,534",18AWG,36COND,L	1275.00
34350038	CABLE,APEX,391",18AWG,36COND,L	938.75
34350039	CABLE,APEX,534",20AWG,25COND,L	771.00
34350040	CABLE,APEX,391",18AWG,25COND,L	613.00
34350041	CABLE,APEX,391",18AWG,36COND,R	938.75
34350042	CABLE,APEX,534",18AWG,36COND,R	1275.00
34350043	CABLE,APEX,391",20AWG,25COND,R	568.50
34350044	CABLE,APEX,534",18AWG,25COND,R	830.50
34420001	CORD,SENSOR,5-WIRE,90-DEG,5M-L	30.00
34440001	CONN,WIRE,SOL-VLV,2-COND,54"LG	8.00
34440002	CONN,DIN,2-COND,18GA,11"LG	24.25
34440003	CONN,DIN,2-COND,18GA,15M-LG	42.75
34440004	CONN,DIN,2-COND,18GA,78"LG	13.19
34440005	CONN,DIN,2-COND,18GA,300"LG	84.25
34450001	RELIEF,STRAIN,25MM-NPT,9-16MM,	8.00
34600001	LED,STRIP,2-LT,WHT,12VDC	2.25
34630001	LED,STRIP,QUAD-ROW,RED,24VDC,2	495.00
34630002	LED,STRIP,QUAD-ROW,GREEN,24VDC	495.00
34630003	LED,STRIP,QUAD-ROW,BLUE,24VDC,	495.00
34630004	LED,STRIP,QUAD-ROW,PINK,24VDC,	495.00
34630005	LED,STRIP,QUAD-ROW,24VDC,28MM,GREEN	59.00
34630006	LED,STRIP,QUAD-ROW,24VDC,28MM,RED	59.00
34630007	LED,STRIP,QUAD-ROW,RED,28MM,24	320.00
34630008	LED,STRIP,QUAD-ROW,GREEN,28MM,	320.00
34630009	LED,STRIP,QUAD-ROW,BLUE,28MM,2	320.00
34630010	LED,STRIP,QUAD-ROW,PINK,28MM,2	320.00
34894-1/2	Conduit, 1/2" Flexible Non-Met	2.75
34895-3/4	Conduit, 3/4" Flexible Non-Met	3.50
34896-1	Conduit, 1" Flexible Non-Met	4.50
34969	Conduit Connector 1/2" Str.	3.50
34970	Conduit Connector 3/4" Str.	6.00
34972	Conduit Connector 1" Str.	8.25
34973	Conduit Connector 1/2" Adjust	11.00
34977	Conduit Connector 1" 90 deg.	8.75
35042	Locknut 1/2"	1.25
35061	Knockout Adaptor 1 x 3/4	1.25
35062	Knockout Adaptor 1-1/2 x 1	2.75
35287	Strain Relief 1/4npt w/Nut Ins	2.50
35290	Strain Relief PG11 w/Nut	2.50
35291	Strain Relief PG13 w/Nut	3.61
35295	Strain Relief M20 x1.5 w/Seal	4.00
35304	Strain Relief 1/2 .31-.56 Cord	3.75
35306	Strain Relief .688 - .812	17.50
35950-2	Fuse, 2A Littlefuse ATO-2	1.30
3610	Analog Input 4 pt. 1762-IF4	1068.50
3629	PLC Base 1764 24 BWA	2000.00

Item Number	Item Description	Price (\$)
3632	PLC 1764 LRP	1400.00
3637	Memory Module 1764 MM2RTC	1540.00
3637-R	Battery Replacement,Memory Mod	175.00
36429-SM	Circuit Breaker, 2A 1P Siemens	56.00
36432-SM	Circuit Breaker, 4A 1P C Trip	66.75
36435	Circuit Breaker 3A 1-pole	198.00
36436-MG	Circuit Breaker 6A 1P D Curve	163.75
36440	Circuit Breaker, 9A-12.5A Siem	225.00
36441	Circuit Breaker, 2.8A-4A Sieme	172.75
36444-MG	Circuit Breaker 13A 1P D Curve	153.75
3645	Module End Cap 1769 ECR	102.25
36458-SM	Circuit Breaker, 10A 2P Siemen	116.00
36464-SM	Circuit Breaker, 13A 2P D Trip	134.00
36475-MG	Circuit Breaker 4A 3P D-Trip	407.75
36477-MG	Circuit Breaker 6A 3P D-Trip	473.25
36477-SM	Circuit Breaker, 6A 3P C Trip	216.00
36480-AB	Circuit Breaker 10-16A 3P	452.25
36482-AB	Circuit Breaker 16A 2-pole	306.75
36482-SM	Circuit Breaker, 16A 2P Siemen	133.75
3650	AnalogCard 17691F4XOF2	1805.75
3651	InputCard 16pt 1769 IQ16	716.75
36556-MG	Circuit Breaker 6A 2P - AB	295.50
36556-SM	Circuit Breaker, 6A 2P D Trip	216.00
3659	OutputCard 16pt 1769 OB16	942.50
3672	PLC 1400 DC In Relay Out RZR2	2444.25
3673	PLC ML1400 L32BWAA (RZR3)	3045.75
3674	Memory Module 1400	580.00
3676	Input Card 1400 16pt	642.75
3678	Output Module 1400 16pt	779.25
3680	Analog Module 1400	1636.00
3682	HMI Touch Panel 5.7" Color	1614.25
3682-B	HMI, Back Module, No Screen	1250.50
3682-F	HMI, Face Only	1026.25
36898-D	Motor 0.5hp B5 1800rpm	423.25
36902-T	Motor 1.3hp 1800rpm Trolley	565.80
36905	Motor .37kW, 1/2hp Carr/Trlly	443.00
36907	Motor .75hp Carr/OBD w/Cplg	1068.50
36910	Motor 10hp TEFC Dryer	2395.00
36911	Motor 15hp TEFC Dryer	2604.00
36917	Motor, 1/2HP 208-230/460 3PH 1	385.00
36919-A	Motor 25hp 284T 1760 230/460 3	3059.00
36922	Motor, 3/4HP 208-230/460 3PH 1	410.00
36924	Motor, Wheel Scrubber	1100.00
36929	MOTOR,25HP,575V,60Hz,WEG	2673.00
36930	MOTOR,15HP,208/460/380,50/60Hz	2010.00
3705	PLC, Siem. CPU 1215	1291.25
3710	PLC, Siem. CPU 1214	854.50
3720	I/O Module, SM1223	608.00
3725	Card, Siem. Output SM1222	384.00
3730	Card, Siem. Analog SM 1231	816.25
3735	Card, Eth. Comm. CSM 1277	338.25
37402-AB	Power Supply AB-24vdc 2.1A	251.00
37403	Power Supply 12vdc, 75W	88.75
37409	Transformer, 208/24 HV/Razor	330.75



# 2026 PICTORIAL PARTS BOOK



Item Number	Item Description	Price (\$)
37410	Transformer, Buck Boost 250VA	283.25
37412	Transformer, Buck Boost 750VA	639.75
37415	Transformer, Buck Boost 1KVA	647.75
37450	Power Supply, 24VDC/5A Siemens	233.53
37455	Power Supply, 12VDC/4.5A Sieme	165.00
3750	Card, Memory SD Flash 4MB SIMA	139.75
37620	Drive, VFD 1HP 1PH SIMATIC	350.00
37628	PLATE,MOUNT,V20 A/B,SINAMICS	12.75
37789	Heater Strip 1x 3" 24vac 7.5w	33.00
37791	Heater Strip 1x 123" 120v 185w	171.50
37793	Heater Strip 1x 22" 24vac 80w	47.00
37801	Heater Strip 1x 300" 220v 450w	374.00
38498	Junction Box Outdoor 2 x 4	14.50
38502	Cover Plate Weatherproof Blank	4.50
38690	Cooling Fan, 110VAC Profile UC	485.00
40010004	KIT,E-CHAIN,CRG,TCF,RZR	175.50
40010005	KIT,E-CHAIN,CRG,FNF,RZR	223.00
40010006	E-CHAIN,ASSY,RS,CRG,BASE,RZR	3705.50
40010007	E-CHAIN,ASSY,LS,CRG,BASE,RZR	3705.50
40010008	E-CHAIN,ASSY,RS,TRLY,RZR	1100.75
40010009	E-CHAIN,ASSY,LS,TRLY,RZR	1100.75
40010010	E-CHAIN,ASSY,HYPRFLX,RZR	1998.75
40010019	E-CHAIN,ASSY,RS,TRLY,DBL-BRL,R	1172.25
40010020	E-CHAIN,ASSY,LS,TRLY,DBL-BRL,R	1156.00
40010027	E-CHAIN,ASSY,SIDE-ARM,LS,APEX	1499.00
40010028	E-CHAIN,ASSY,SIDE-ARM,RS,APEX	1499.00
41000001	ELBOW,PIPE,1-1/2"NPT,BR	56.50
41030002	NIPPLE,3/4NPTX8"LG,SCH80,PVC	7.25
41030003	NIPPLE,3/4NPT,CLOSE,SCH80,SST	12.50
41050001	TEE,THRD,3/4NPT,SCH80,FGD,SST	52.75
41050002	TEE,PUSH-LOC,1/2",PLSTC	10.00
41070001	HOSEBARB,1/2"HX3/4NPT,BR	14.00
41110001	COUPLING,FULL,1-1/2NPT,SST	24.00
41110004	COUPLING,FULL,1/2",SST	6.00
41140001	FITTING,TUBE,SWVL-ELB,1/4TX3/8	4.25
41150001	FITTING,Y-BR,3/8"T,PLSTC,PUSH-	6.50
41150002	CROSS,CONN,3/4NPT,SST	32.25
41150003	FITTING,STR,1/2TX3/8NPT,PLSTC,	6.00
41150004	FITTING,TEE,1/2X1/2X3/8,PLSTC,	8.50
41150005	REDUCER,STEM,1/2"TX3/8"T,PLSTC	7.50
41150006	FITTING,STR-ADPTR,1/2TX3/4NPT,	132.50
41150007	FITTING,COMP-TEE,1/2"T,PLSTC,W	18.00
41150009	FITTING,ELBOW,1/2TX1/2STEM,PLS	13.00
41150010	FITTING,Y-BR,1/2X3/8X3/8,PLSTC	13.00
41150011	FITTING,ELBOW,3/8TX3/8STEM,PLS	7.75
41150012	FITTING,Y-BR,1/2"T,PLSTC,PUSH-	10.50
41150014	FITTING,STR,3/8STEMX1/4T,PLSTC	4.00
41150018	FITTING,ELB,3/8"TX1/2"NPT,PLST	8.00
41150019	FITTING,TEE,1/2"TX1/2"NPT,PLST	7.50
41300001	PLUG,HEX,#6-SAE,W/O-RING,SST	8.50
41340001	SWIVEL,90-DEG,1"NPT,SST,W/COUP	389.75
41340003	SWIVEL,STR,3/4"NPT,SST	148.25
41400001	FITTING,TUBE,90DEG,DBL-3/8TX1/	24.50
41400002	ADAPTER,RDCR,HEX,3/4NPTX1/2NPT	5.25

Item Number	Item Description	Price (\$)
41400003	ADAPTER,1/4NPT,10-DEG,SST	55.75
41400004	ADAPTER,STR,1/4NPT,BRS	4.40
41400008	ADAPTER,1/4NPT,32-DEG,BRS	71.25
41400009	ADAPTER,SWIVEL,STR,1/2"NPT,SST	80.25
41410001	CONNECTOR,STR,3/4"T,PLSTC	14.00
41410002	FITTING,COMP,3/4"TX3/4NPT,WHIT	9.00
41410003	FITTING,COMP,3/4TX1/2NPT,WHITE	8.75
41410004	FITTING,COMP,ELBOW,1/2T,WHT,PL	13.50
41410005	FITTING,COMP,STR,1"TUBEX3/4"NP	121.75
41430001	FITTING,HYD,ADAPT,3/4FMX3/4NPT	15.00
41430002	FITTING,HYD,ADAPT,3/8FMX3/8NPT	37.00
41530001	HOSE,CORR,1-1/2"X15.5"LG,250PS	82.00
41530002	HOSE,POLYBRAID,3/4"ID,10'	33.25
41550001	HOSE,ASSY,3/8"X30.50"LG,300PSI	46.00
41550002	HOSE,ASSY,3/8"X32.50"LG,300PSI	42.00
41550003	HOSE,ASSY,1/2"X41"LG,300PSI,1/	53.00
41550004	HOSE,ASSY,1/2"X56"LG,300PSI,1/	62.75
41550005	HOSE,CORR,2"DIAX16.13"LG,BLK	26.25
41550006	TUBING,VINYL,3/4"IDX1"ODX10"LG	38.00
41550007	HOSE,ASSY,3/8"X42.50"LG,300PSI	44.00
41550008	HOSE,ASSY,3/8"X44.50",300PSI,3	47.00
41550009	HOSE,ASSY,3/4",2000PSI,3/4"SWV	79.00
41550010	HOSE,ASSY,1/2"X69",1000PSI,1/2	68.25
41550011	HOSE,ASSY,1"X11",2000PSI,1"MN	144.00
41550012	HOSE,ASSY,1"X211.5",2000PSI,1"	781.00
41550013	HOSE,ASSY,1/2"X87",1000PSI,1/2	90.00
41550014	HOSE,ASSY,1/2"X94",1000PSI,1/2	85.25
41550015	HOSE,ASSY,1/2"X121",1000PSI,1/	153.00
41550016	HOSE,ASSY,3/8"X108",1000PSI,3/	61.00
41550017	HOSE,ASSY,3/8"X264",1000PSI,3/	112.85
41550018	HOSE,ASSY,1/2"X125",300PSI,1/2	110.50
41550019	HOSE,ASSY,3/4"X12",2000PSI,3/4	68.00
41550020	HOSE,ASSY,3/4"X18.5",2000PSI,3	77.50
41550021	HOSE,ASSY,3/4"X22",2000PSI,3/4	78.75
41550022	HOSE,ASSY,3/4"X24.5",2000PSI,3	91.75
41550023	HOSE,ASSY,3/4"X26",2000PSI,3/4	83.00
41550024	HOSE,ASSY,3/4"X67",2000PSI,3/4	120.00
41550025	HOSE,ASSY,3/8"X180",1000PSI,3/	120.00
41550026	HOSE,ASSY,3/4"X142",2000PSI,3/	467.00
41550027	HOSE,ASSY,3/4"X145",2000PSI,3/	365.00
41550028	HOSE,ASSY,1"X12.88",2000PSI,1"	143.75
41550029	HOSE,ASSY,1"X21.25",2000PSI,1"	130.75
41550030	HOSE,ASSY,1"X292",2000PSI,1"SW	956.00
41550031	HOSE,ASSY,3/8"X105.75",1000PSI	74.50
41550032	HOSE,ASSY,3/4"X64",2000PSI,3/4	116.75
41550033	HOSE,ASSY,1"X180",2000PSI,1"MN	678.00
41550034	HOSE,ASSY,1/2"X67",2000PSI,1/2	62.25
41550035	HOSE,ASSY,1/2"X24.5",2000PSI,1	42.50
41550036	HOSE,ASSY,3/4"X70",2000PSI,3/4	130.00
41570003	TUBING,POLY,3/4"OD,BLU,100FT-S	484.00
41570004	TUBING,POLY,3/4"OD,BLU,250FT-S	1210.00
41600002	PIPE,SST,1"IDX4.75"LG,SCH40,30	27.00
41937-28	Hose Assy, 3/8 x 1/4 x 28 L	33.50
41938-28	Hose Assy, 3/8 x 3/8 x 28 L	30.50



# 2026 PICTORIAL PARTS BOOK



Item Number	Item Description	Price (\$)
41938-30	Hose Assy, 3/8 x 1/4 x 30 L	33.25
41939-41	Hose Assy, 3/8" x 41" OAL	31.00
42010001	PUMP,2HP,208-230/460,3PH,60HZ,	1695.00
42010002	PUMP,2HP,380V,3PH,50HZ,15ST	1875.00
42010011	PUMP,BOOSTER,2HP,230V,1PH,50/6	1567.00
42010012	PUMP,CAT,45GPM,1000PSI,3545HS	Call For Price
42010013	PUMP,BOOSTER,1HP,380/415V,50HZ	1300.00
42090001	PUMP,SUMP,3/4HP,115V,SST	775.00
42200001	KIT,REBUILD,SEALS,CAT-2530,REQ	407.00
42200002	KIT,REBUILD,VALVE,CAT-2530,REQ	345.75
42230001	FILTER,SST-MESH,1"FNPT,PLSTC	98.50
42230002	FILTER,SST-MESH,3/4"FNPT,PLSTC	60.00
42280001	GAUGE,PRESS,0-1000PSI,1/4CBM,L	23.00
42280002	GAUGE,PRESS,0-3000PSI,1/4CBM,L	39.00
42790-22	Hose Assy, 1" x 22" OAL	86.25
42790-24.5	Hose Assy, 1" x 24.5" OAL	201.75
42791	Hose Assy, 1" x 18" OAL 2000psi	92.75
42800	Hose Assy, 1" x 43.5" OAL Swvl	202.00
42811	Hose Assy, 3/4" x 180" 2000psi	376.00
42812	Hose Assy 3/4x 69.5 JIC x mnpt	74.00
42813-40	Hose Assy, 1/2" x 40.5"	36.00
42815	Hose Assy, 3/4x211.5 2000psi	590.00
42820	Hose Assy, 3/4x268 Profile	665.00
42830	Hose Assy. 1/2" x 50" male swvl	60.50
42832	Hose Assy. 1/2" x 98" male swvl	72.50
42834	Hose Assy 1/2"x108.5" male swv	97.00
42836	Hose Assy. 1/2 x 1/2 x 15.75 O	48.50
42840	Hose Assy., 1/2" x 21" OAL PWD	53.50
42841	Hose, 1/2" x 1/2" x 38.5 OAL	50.75
42844	Hose Assy., 80" OAL WS	75.50
42845	Hose Assy. 3/8" x 17" OAL	52.50
42846	Hose Assy. 3/8" x 98" OAL	87.00
42847	Hose Assy. 3/8" x 50" OAL	81.75
42848	Hose Assy. 3/8" x 38.5" OAL	72.50
42849	Hose Assy. 3/8" x 60" OAL	72.75
42903	Spiral Wrap, 3/4"	6.00
43000001	NOZZLE,I-MEG,1/4",6506	9.75
43000003	NOZZLE,INSERT,10GPM,MOSMATIC	60.00
43000004	NOZZLE,I-MEG,1/4",15025	10.00
43000005	NOZZLE,MEG,1/4",15015	9.75
43030001	NOZZLE,FOAMING,SINGLE-STREAM,P	108.00
43060004	NOZZLE,ROTATING,2.0GPM,1/4NPT,	90.00
43060005	NOZZLE,ROTATING,3.0GPM,1/4NPT,	90.00
43060006	NOZZLE,ROTATING,4.0GPM,1/4NPT,	90.00
43060007	NOZZLE,ROTATING,5.5GPM,1/4NPT,	90.00
43060008	NOZZLE,ROTATING,7.0GPM,1/4NPT,	90.00
43080001	CAP,GIANT-NZL,RBR,BLU	6.00
43090001	KIT,REBUILD,INJECTOR,DEMA	8.50
43200001	FOAMER,ASSY,SST-MXR,PVC-HSG,3/	48.00
43210001	PAD,SCRUB,MXG-MATL,1/4PAD,SST	2.00
43210002	PAD,SCRUB,MXG-MATL,FULL,SST	8.00
43210003	PAD,SCRUB,MXG-MATL,.33,SST	2.75
43300003	INJECTOR,SINGLE,0.070,ORN,SST,	77.00
43300004	INJECTOR,SINGLE,0.057,RED,SST,	77.00

Item Number	Item Description	Price (\$)
43300005	INJECTOR,SINGLE,0.083,GREY,SST	77.00
43300006	INJECTOR,SINGLE,0.086,BLU,SST,	77.00
43300007	INJECTOR,SINGLE,0.125,GRN,SST,	77.00
43300008	INJECTOR,DUAL,0.083,GREY,SST,D	98.00
43300009	INJECTOR,SINGLE,0.098,LT-GRN,S	83.00
43442-S	Hyd Ftg Fem Swvl 3/8x1/4npt	35.00
43446	Adapter, JIC 3/4" M x 1/2" M	7.50
43451	Hyd Ftg Adpt 1fm x 1mpt	18.00
43464	Hyd Ftg Adpt 1FM x 1FM	14.25
43933	Oil Quart SHC626 50:1 Gearbox	25.00
43949	Oil 2.5gal Cat Pump	167.75
43951	Oil 2.5gal General Pump	163.00
43959	Grease Cartridge Arctic	32.00
43970	GREASE,MARINE,2-4-C,8oz.	32.00
43975	Lubricant,Silicone, 1cc	4.00
46020001	VALVE,CHECK,3/8FNPT,3000PSI,30	86.25
46070001	VALVE,FLOW-MTR,0.5-5GPM,1/2",P	125.00
46070002	VALVE,NEEDLE,1/2",SST	110.00
46070003	VALVE,FLOW-MTR,0.5-5GPM,1/2",P	100.00
46070004	VALVE,FLOW-MTR,2-10GPM,3/4",PL	62.00
46100001	VALVE,SOL,NC,24VAC,1/4NPT	74.00
46100002	VALVE,SOL,NO,24VAC,1/2NPT,3-15	180.00
46100004	VALVE,SOL,DP,NO/NC,1NPT,24VAC,	1103.00
46100005	VALVE,SOL,DP,NC/NC,1NPT,24VAC,	1103.00
46100008	VALVE,SOL,NC,24VAC,3/4NPT,BRS,	290.00
46100009	VALVE,3-WAY,NC,24VAC,3/4"NPT,N	108.75
46130001	VALVE,REG,3/4NPTX1/2NPT,HP-SPR	217.00
46130002	VALVE,REG,3/4NPTX1/2NPT,LP-SPR	217.00
46200001	VALVE,SWITCH,LP,BRS	140.00
46260002	KIT,REPAIR,CWR4525-REGULATOR,G	65.00
46260003	KIT,REPAIR,STEM,NC,DEMA-DP-VLV	82.00
46260004	KIT,REPAIR,STEM,NO,DEMA-DP-VLV	116.00
46260005	KIT,REPAIR,PISTON,DEMA-DP-VLV	100.00
46260006	KIT,REPAIR,DIAPH,3/4"-VLV,DEMA	25.00
46360001	FILTER,ELEMENT,REPL,5-MRCN	9.50
46360002	FILTER,ELEMENT,REPL,3-MRCN	20.00
50190011	ADAPTER,KIT,DRYER-OSC,1/8HP,1P	Call For Price
50190013	UPGRADE,KIT,DRYER-S/P,3PH-OSC-	Call For Price
50400006	RETROFIT,GRBX-RPLCMNT,CARR-TRL	1355.75
50400007	RETROFIT,GRBX-RPLCMNT,ARCH,REV	1650.00
50450012	UPDATE,LIFT-BELT,TOP-ARCH,SET	257.50
50480001	UPDATE,HV+RZR1,SIDE-SONAR,30MM	555.00
50480002	UPDATE,CARR-BELT-TENS,PRO-RZR	366.00
50530001	ASSY,MOTOR,FILTER+PWD-MOTOR	1175.00
50720001	KIT,NOZZLE,UC,RCKR-BLSTR,RZR	116.19
50720002	KIT,NOZZLE,UC,PWR-TWR,6-NZL,RZ	59.25
50720003	KIT,NOZZLE,UC,PWR-TWR,12-NZL,R	29.25
50720004	KIT,NOZZLE,UC,PWR-TWR,4-NZL,RZ	35.75
50720005	KIT,NOZZLE,UC,PWR-TWR,4-NZL,PR	29.25
50720006	KIT,NOZZLE,ARCH,DBL-BRL,RZR	4000.00
50720007	KIT,NOZZLE,ARCH,HYPFRFC	241.50
50720008	KIT,NOZZLE,FLEX-PASS,HYPFRFC	175.50
50720009	KIT,NOZZLE,TL-PWD,PRO	3795.00
50720010	KIT,NOZZLE,TL-PWD,APEX	817.00



# 2026 PICTORIAL PARTS BOOK



Item Number	Item Description	Price (\$)
50800048	ASSY,FLD-INSTL,BUG-PREP	97.75
59015	Heater Cartridge Style 9W	35.00
59910-1/2	Tubing, Poly Blue 1/2" OD	2.50
59910-1/4	Tubing, Poly Blue 1/4" OD	1.25
59910-3/8	Tubing, Poly Blue 3/8" OD	2.00
59914-32	Hose 2" ID Blk Corrug Suct 32"	44.75
59959-10	Hose 1-1/4" Drain f/Main Tank	41.50
59965	Hose, 1-1/2" x 10" Corr. Suct.	59.00
61048	Pump Fluid-O-Tech 800F 4.1-158	275.00
61050	Pump Sta-Rite 1.5hp 3ph	1351.00
61050-50	Pump Sta-Rite 1hp 50Hz 3ph	2402.40
61057	Pump, Gould 3HP 3PH 14 Stage	1837.50
61100001	BOLT,SHEAR,3/8-16X4-1/2",0.29"	7.50
61189	Pump Sta-Rite 1hp	1186.00
61190	Sta-Rite 1hp - Noryl Impeller	1300.00
61540	Pump, General (Emperor) HTCK40	Call For Price
61584	Adapter, 1/2" BPSS x 1/4" FMPT	32.00
61588	Drain Kit, CAT Pump	91.75
61589	Cat Pump 3535	Call For Price
61589-S-KIT	Seal Kit, Cat (1 per pump)	721.75
61589-VKIT	Valve Kit, Cat (2 per pump)	586.50
61590	Key (M10x8x70)	12.00
61600	Pump, Hypro 35gpm	Call For Price
61605	Pump, CAT 2530	Call For Price
61605-D	Drain Kit, CAT 2530	88.50
61605-S	Shaft Protector, CAT Pump 2530	34.75
61912	KIT,REBUILD,SOL-VLV-BANK	22.00
61913	Valve Bank Assy. 3-port	344.00
61914	Valve Bank Assy. 4-port	450.00
61915	Valve, Dema 3/8" SS	120.00
61929	Coil Danfoss 24vac 60Hz	65.00
61930	Valve Danfoss 3/8 Water	85.00
61930-S	Valve Danfoss 3/8 SS Seat	190.00
61931-C	Plug Connector w/39" Cord	17.75
61931-R	Terminal Cord, DIN 63" Reclaim	85.00
61933	Coil Danfoss 24vac 50Hz	45.00
61934	Repair Kit 3/8" Danfoss Valve	39.00
61936-50	Valve Sol 1/2 NC 50/60Hz 24vac	160.00
61937-50	Valve Sol 1/2 NO 50/60Hz 24vac	220.00
61939-C	Terminal Cord, DIN, 51"LG	18.75
61939-DF	Valve, Solenoid 1" NC 24/60	240.00
61939-DF-KIT	Rebuild Kit Valve Sol 1" NC	110.00
61940	Valve, Dema 1/2" NC SS 24VAC D	122.00
61941	Valve, Dema 3/4" NC PL 24VAC D	195.00
61945	Valve, Sol. 3/4" NC Pilot Pist	178.00
61946	Valve, Sol. NC 3/8"npt BR DEMA	183.00
61951	Valve Sol RCS-HP Unloaders	1265.00
61952	Valve Sol 1" DP NO/NC ver2	1265.00
61952-KIT	Repair Kit, 1" DP NO/NC Valve	224.00
61952-S-KIT	Seal Kit, VDHT Valve	135.00
61953	Stem, N.O. 1" HP Danfoss Valve	350.00
61954	Stem, N.C. 1" HP Danfoss Valve	302.00
62009	Valve Check 1" 400psi w/10#	102.00
62023	Foot Valve w/Strainer	14.00

Item Number	Item Description	Price (\$)
62025	Valve Check 1/4" fnpt brass	30.00
62026	Valve Check 3/8 Female 1500psi	35.00
62028	Valve, Check 3/4" Female	99.00
62029	Valve Check 3/4 Female 3000psi	286.00
62030-F	Valve Check 3/4, Viton Female	61.00
62031	Valve Check 1/2 FM x FM 3200	63.00
62035	VALVE,CHECK,3/8NPT,FxF,SST	43.00
62041	Valve Ball Check 1" Union pvc	89.25
62043	Valve Check 1-1/2" Union pvc	156.50
62045	Valve Check, 2" Union pvc	162.00
62046	Valve Check, 3/8" tube fitt	16.00
62047	Valve Check, 1/2" tube fitt	18.00
62048	Valve, Check 1/4" Push fit	15.00
62052	Valve Needle 1/4 Fem. 150psi	17.25
62062	Valve Check 1/4 MxM 5000psi	40.00
62063	Valve Check 1/4 FxF 3000psi	29.00
62071	Valve Relief 1/2"150psi br 451	27.00
62077	Valve Pressure Relief 3/4x1/2	215.00
62077-KIT	Rebuild Kit f/ 62077 and 62080	55.00
62080	Valve, Press. Relief 3/4 x 1/2	182.00
62080-SP	Spring, Press. Relief Valve (F	32.00
62157	Valve Lex Air 1" brass LG	890.00
62157-KIT	Repair Kit, Lex Air	250.00
62158-KIT	Repair Kit, Lex Air	182.00
62163	Valve Float 1" 90 degree	150.00
62192-24	Valve Sol 3/8 NO L/P 041	153.00
62192-KIT	Rebuilt Kit Dema Valve 0412	31.00
62196-24	Valve Sol 1/2 NC HP 454P	235.00
62303	Metering Tip Kit Ultra Lean	17.00
62304	Metering Tip Kit #8-32 thd	23.00
62344-X	Injector .070 w/XFO Ring-ORANG	84.00
62369-X	Injector .057 w/XFO Ring RED	84.00
62375-X	Injector .083 w/XFO-GRAY	84.00
62376-X	Injector .086 w/XFO	88.00
62377-X	Injector .098 w/XFO	95.00
62379-X	Injector .083 Dual Port w/XFO	125.00
62380-X	INJECTOR, .125, W/XFO	80.00
62496	Valve Water Sol 1" NC SS 24vac	360.00
62960	Nozzle, 55deg Br. 1/4"npt	55.00
62970-4M	Nozzle, 1503 1/4" I-Meg	10.00
62971-4M	Nozzle 1504 1/4" I-Meg	10.00
62973-4M	Nozzle 1505 1/4" I-Meg	10.00
62977-4M	Nozzle 1508 1/4" I-Meg	10.00
62980-4M	Nozzle 2504 1/4" I-Meg	10.00
63005-4M	Nozzle 2503 1/4" I-Meg	10.00
63041-4M	Nozzle 4003 1/4" I-Meg	10.00
63045-4M	Nozzle 4004 1/4" I-Meg	10.00
63047-4M	Nozzle 4006 1/4" I-Meg	10.00
63060-4M	Nozzle 4020 1/4" I-Meg	10.00
63100004	WASHER,FLOW,3/4",5.3GPM	3.50
63300-4M	Nozzle 6510 1/4" I-Meg	10.00
63525-4M	Nozzle 8003 1/4" I-Meg	10.00
63526-4M	Nozzle 8006 1/4" I-Meg	10.00
63527	Nozzle, Blastec 4.0 gpm	215.00



# 2026 PICTORIAL PARTS BOOK



Item Number	Item Description	Price (\$)
63529-4M	Nozzle 8010 1/4" I-Meg	13.50
63530	Nozzle, Blastec 3.0 GPM	215.00
63535	Nozzle Protector, Blastec Blue	25.00
63537	Nozzle, 0 Degree Mosmatic PWD	148.00
63538	Nozzle, Insert 0 degree Mosmat	60.00
63540	Nozzle, FullJet 1/4" npt Full	41.75
64826	Nozzle Adapter 1/4"	43.00
64831	Nozzle Protector	3.00
64990	Strainer Water 1-1/2" 20 mesh	25.00
64991	Strainer, 2" Suction Line, Nyl	28.00
65020001	STRAP,CINCH,BUCKLE-RELEASE,1"X	44.00
65030001	KNOB,THRD,1/4-20X1",PLSTC,BLK	7.00
65130001	O-RING,MEMB-HSG-CAP,4"	5.00
65140005	CLAMP,PIPE,1.25",PLSTC,BLK	12.00
65140006	CLAMP,LOOP,13/16"ID,AL/RBR,BLK	5.60
65170001	BALL-STUD,5/16"THD,10MM-BALL,S	3.00
65190001	GROMMET,1/4"IDX11/32GROOVE,BUN	0.50
65210003	RIVET,PUSH-IN,1/4",.780-1.375,	0.50
65389	Swivel Straight 1" HP SS	263.25
65391-P	Swivel 90 degree 1" F x F	215.75
65395	Swivel, 3/8"npt Mosmatic PWD T	320.00
65902-4P	Nipple, 1/2" x 4-1/2" PVC	5.80
65902-4S	Nipple Close 1/2" 304 SS	4.25
65904-K4S	Nipple 1" x 5" 304 SS	21.00
65906-8P	Nipple Close 1-1/2" sc80 pvc	9.25
65907	Nipple Close 2" nylon	11.75
65941-4B	Hex Nipple 1/4" brass	2.50
65944-4B	Hex Nipple 3/8" brass	4.25
66004-P	Tee Pipe 1/2" thd sc80 pvc	12.00
66009-4S	Tee Pipe 3/4" SS	15.50
66014-4S	Tee Pipe 1" 304 SS	19.50
66376-4B	Elbow Street 1/4" brass	8.50
66385-4S	Elbow, Street 1-1/4" 304 SS	38.50
66386-4N	Elbow Street 1-1/2" nylon	15.25
66386-4P	Elbow, Str 1.5" 45 deg nylon	20.75
66387-4N	Elbow Street 2" nylon	16.25
66496-B	Plug 1" Recessed brass	14.00
66542-B	Plug Pipe Hex Hd 1/2" brass	5.50
66576-TT	Bulkhead Fitting, 3/4"	63.25
66577-TT	Bulkhead Fitting 1"	67.25
66578-TT	Bulkhead Fitting 1-1/4 pvc thd	90.50
66579-TT	Bulkhead Fitting 1-1/2 pvc thd	92.00
66580-TT	Bulkhead Fitting 2 pvc thd	151.25
66602-S	Bushing Pipe 1 x 1/2 304SS	10.00
66603-S	Bushing Pipe 1 x 3/4 304 SS	10.00
66609-S	Bushing, 1-1/4" x 1" 304 SS	18.25
66686-P	Coupling 1/2" sc80 pvc thd	7.75
66756-P	Coupling Reducer, 3/4x1/2fmppt	9.25
67006-MS	1/2 Hose barb SS	12.75
67028-MHB	Hose Barb 1.5H x 1mnppt brass	66.00
67029-MHN	Hose Barb, 1.25" NPT x 1.5"H Po	10.00
67030-MHN	Hose Barb 1.5Hx1-1/2mnppt nylon	5.50
68892	Side Arch Foam (Large)	512.00
68893	Top Arch Foam (Small)	265.00

Item Number	Item Description	Price (\$)
68894	Power Tower Foam, Blue, Each	195.00
68895-A	Foam Insert Assembly, Side Arc	170.00
73296	Clamp 18mm Tube GR.II	1.50
73298	Clamp Pipe 21.3mm	1.85
73905	Clamp Tube 1" Diameter	2.00
73916	Clamp Tube 1" Pipe Group 5S PR	7.50
74995-1	Grommet 3/16ID x 3/32 Groove B	0.25
77098	U-Bolt, 3" x 5" Square	23.00
77099	U-Bolt, 5" x 3" Square	25.00
77850	Strap, Cinch, Profile	8.00
77891	Latch Flexible Draw	25.00
77893	Latch Snap Lock 2 pcs.	33.00
78493	Set Collar, 2 pcs. 1-1/8"	24.75
78495	Knob, 1/4-20 Female DK-184	5.00
80000001	DECAL,WASHWORLD,DIE-CUT,ACRYL	5.25
80020001	DECAL,CARR-COVERS,RZR-EDGE,F/R	483.50
80020003	DECAL,HYPERFLEX,SM,SIDE-PODS,R	2.50
80020004	DECAL,FOAM-N-FLOW,SM,REAR-CVR,	5.75
80020005	DECAL,SPECTRARAY,SM,FR-CVR,RZR	3.75
80020009	DECAL,F/R-CARR-CVR,RZR-STD,BLA	428.00
80020014	DECAL,ARCH-CVR,DBL-BRL,DIE-CUT	22.00
80020015	DECAL,CRG-CVR,DBL-BRL,F/R	396.00
80020016	DECAL,UCC,VINYL,RZR	143.25
80020018	DECAL,CRG-CVR,VINYL,HYPFRC	402.00
80020019	DECAL,ARCH-CVR,DIE-CUT,ACRYL,H	11.75
80020020	DECAL,UCC,HMI,RZR	17.00
80030001	DECAL,F/R-COVER,RZR-XR-7,GRPH-	700.00
80030002	DECAL,UCC-FRONT,XR-7,VINYL	17.50
80040001	DECAL,F/R-CVR,PROFILE-ST,2-PC,	700.00
80040002	DECAL,F/R-CVR,PROFILE-MAX,2-PC	700.00
80040003	DECAL,RS-C-CHNL,PROFILE,2-PC,V	108.25
80040004	DECAL,LS-C-CHNL,PROFILE,2-PC,V	108.00
80040009	DECAL,UCC-FRONT,VINYL,DBL-DR,P	231.00
80040010	DECAL,UCC,HMI,PRO	17.00
80050001	DECAL,FR-COVER,GRPH,VINYL,LXR	481.50
80050007	DECAL,UCC-FRONT,VINYL,LXR	156.25
80070001	DECAL,CRG-COVER,GRPH,VINYL,APE	465.75
80070002	DECAL,UCC-FRONT,VINYL,DBL-DR,A	231.00
80070007	DECAL,RS-C-CHAN,2-PC,VINYL,APE	76.75
80070008	DECAL,LS-C-CHAN,2-PC,VINYL,APE	76.75
80130001	DECAL,SPECTRARAY+,TOP-MNT	5.75
80130002	DECAL,HOUSING,BIG-SHOT,VINYL	47.25
80130003	DECAL,PWR-TWR,VINYL	6.50
80130004	DECAL,ENCL,CHEM-ALERT,VINYL	17.00
80130005	DECAL,LUMENDRY,VINYL,CTR-PRODU	13.75
82700	Decal, InBay 8 Panel STD Profi	107.00
82701	Decal, InBay 8 Panel w/TCF Pro	109.75
82702	Decal, Wait/Go STD Profile	58.75
82703	Decal, Wait/Go w/Wash Progress	58.75
82870	Decal: Wait/Go 12v LED	67.00
82871	Decal: WashStatus 12v LED	51.75
82872	Decal: In-Bay 3-panel 12v LED	85.00
82874	Decal: In-Bay 8-panel 12v LED	109.75
82874-TF	Decal: In-Bay 8-panel w/TCF	107.00



# 2026 PICTORIAL PARTS BOOK



Item Number	Item Description	Price (\$)
82881	Decal, Count. Timer Outer Blue	47.95
83735-B	Decal, X-Hatch Bottom Razor Co	584.00
83735-C	Decal, X-Hatch Center Razor Co	139.75
83735-T	Decal, X-Hatch Top Razor Cover	165.00
83878	LED Board Countdown Timer 24va	540.00
83880	LED Light, Green ARROW 24vac	103.50
83882	LED Light, Amber ARROW 24vac	103.50
83886	LED Light, Red STOP 24vac	103.50
83888	LED Light, Blue GLOBE 24vac	103.50
83890	LED Light Strip, RED 12vdc	80.50
83890-3	LED Strip, 3 Light RED 12vdc	8.00
83892	LED Light Strip, AMBER 12vdc	80.50
83892-3	LED Strip, 3 Light AMBER 12vdc	8.00
83894	LED Light Strip, GREEN 12vdc	80.50
83894-3	LED Strip, 3 Light GREEN 12vdc	8.00
83896	LED Light Strip, BLUE 12vdc	80.50
83896-3	LED Strip, 3 Light BLUE 12vdc	9.00
83899	LED Module, 2 Light BLUE 12vdc	3.50
83903	LED Light Strip, Green 14 ligh	77.00
83904	LED Light Strip, Red 14 Light	77.00
83925	LED Strip, RZR Cover	150.00
83925-27	LED STRIP,BLUE,27.75" LG, RZR	82.00
83925-29	LED Strip, Blue 29.75" LG, Raz	82.00
83925-31	LED Strip, Blue 31.75 LG, Razo	82.00
83925-35	LED STRIP,BLUE,35.4"LG,ARCH	82.24
83925-5	LED Strip, Blue 5m	188.00
84917	LED Face Kit	56.25
8902-2	Seal for Bearing 8902-I	11.50
8902-I	Bearing Insert 1IDx2ODx9/16	5.75
8907	Bearing Flange 4 Bolt 1" ID	45.61
8928	Bushing, Iglide Flange 1-1/4"	10.24
8950	Drive Gear, Trolley/Carriage	180.00
8952	Bushing, Trolley Drive Gear	36.00
8953	Bushing, Carriage Drive Gear	35.95
90890	Mesh Plastic, Ultra Foam	12.00
90899	Spring, Comp. Spray Arch	38.00
90989	Cylinder Gas 90 lb	42.00
90991	Cylinder Gas 60lb	35.00
9106	Bearing Flange 4 Bolt 1-3/16	98.00
91899-PRO	SONAR,PROFILE,TOP-PRGMD,4-20MA	534.00
91899-REAR	Sonar, P&F Programd Rear/Dryer	534.00
91899-SIDE	Sonar, P&F Programmed Side	534.00
91900-REAR	Sonar, P&F L2 Series Programmed Rear	514.75
91900-SIDE	Sonar, P&F L2 Series Programmed Side	514.75
91909	Prox Switch 12mm Shielded	66.75
91910	Prox Switch 18mm Shielded	80.00
91912	Prox Switch 18mm Short Shld	114.00
91914	Prox Switch 30mm f/Trolley	78.50
91915	Prox Switch 30mm f/Carriage	94.75
91917	Sensor Prox T-Bar Breakaway	72.00
91918	Actuator T-Bar Sensor	12.00
91919	Prox Switch 12mm	63.00
91920	Prox Switch 18mm Short	77.75
91921	Prox Switch 18mm Long	54.50

Item Number	Item Description	Price (\$)
91923	Prox Switch 30mm Short	83.75
91925	Prox Switch, 18mm P&F	71.25
91926	Prox Switch, 30mm P&F	78.00
91985	Temperature Probe	270.00
91992	Sensor 24vdc Main Tank Fill	122.25
92009	Lanyard, 3/4" Washworld Blue	7.00
92010	Manual Remote Transmitter Unit	210.00
92011	Manual Remote Receiver Unit	670.10
92012	Manual Remote Antenna (Lodar)	125.00
92015	Transmitter, Lodar 10 Func. Pr	373.50
92016	Receiver, Lodar 10 func. Profi	809.10
92066-P	String Pot Encoder, Celesco (P	1850.00
92070	Sensor, Level/Inclination P&F	279.00
92075-L	Transmitter Infrared 15m Telco	49.25
92076-L	Receiver Infrared 15m Telco	73.50
92077-L	Amp, 24vac Telco	126.00
92078	Amp, Self Diag. 24vac Pantron	175.00
92079	Amp, Dual Channel - Pantron	300.00
92079-L	Amp dual	246.00
92084-24VAC	Photo Amp 24vac, 11pin Carlo	267.50
92085	Horn, Panel Mount 855P	253.00
92086	Horn, Panel Mount 240v Int'l	251.75
9209	Bearing Flange 2 Bolt 1-5/16	105.00
93180001	GREASE,CNDCT,SILVER,.23OZ	110.00
93180002	GREASE,TUBE,LUBT,3OZ,PACKING	45.00
95095	Foamer Head, Flex Pass	232.00
95098-A	Foamer Head, Anodized Rev.	135.30
95100-A	Foamer Head, Dual Stream Razor	80.00
96300	Membrane, 4" x 40", ULP	707.50
96301	Membrane Hsg SS w/ End Caps	565.25
96320	Valve, Sol. 1/2" 220v	311.00
96321	Valve, Sol. 3/4" 220v	390.00
96330	Filter Housing 3/4" x 20"	130.00
96335	Filter, 5 Micron Cart 20" Mel	25.00
98550	Modem Adapter	40.00
98560	Cable, Modem	9.50
98561	Cable, AB PLC - PVP/Direct Con	229.00
98563	Cable, Serial HMI to PLC	116.00
9945-RBX	Belt, 51" 2V RBX51	99.00
9955-3BX	Belt 66" B Sect Banded 3V	127.25
9956-3BX	Belt 67" B Sect Banded 3V	107.75
9957-3BX	Belt 68" B Sect Banded 3V	97.50
9969-K	Belt 15mm x 396" (1258t) OBD	255.35
9970-K	Belt 15mm x 276" (7.2m) Trolle	178.60
9971-K	Belt 15mm x 360" (1143t) Carrg	233.85
9973	Clamp Drive Belt Carr/Trolley	11.50
9974-2	Lift Belt Set, 1" x 118" L	195.00
9975	Belt 15mm x 468" carriage	315.00
9976	Belt 15mm x 174" Trolley	110.00
HV6000	Controller HV6000	2750.00
M100004	On-Board Dryer Roller Stop	12.41
M100007	Tee Pipe 1" SS w/hole	51.00
M110067	Tri-Color Foam Pod Adaptor Brk	55.75
M228889-A	Plate, w/Heater HV	27.75



# 2026 PICTORIAL PARTS BOOK



Item Number	Item Description	Price (\$)
M228899	Heater w/Bracket, Loading Eyes	37.00
M228900	Heater w/Bracket, Loading Eyes	37.00
M288916	Lift Block Assy. w/Ring	44.00
M307821-S	Bracket Mount Spot Free	61.00
M308931	Bracket Weep Valve	15.25
M308940-S	Bracket, Prox. Double R3	21.17
M308941-S	Bracket, Prox Single R3	17.06
M308982-S	Bracket Rail Support SS	89.00
M309077	Bracket Rail Wall Mount 3/4"	28.60
M328896	Lift Plate Spray Arch	65.85
M330800	Flag, Front/Rear Profile Carri	72.00
M330889-S	Flag, Rail SS	15.75
M330893-S	Flag, Rear Razor OBD	44.75
M330895-S	Flag, Home Razor rev2	35.75
M330897-S	Flag, Home Razor2/3 OBD	32.00
M330898-S	Flag, WS Home Limit	11.00
M348894	Tank Poly w/2" hole 20x30.5x2	372.00
M348895	Tank Poly 20x 30.5x 23	478.00
M358891-7	Manifold Top Spray Arch 7-hole	623.25
M358900	Manifold Weldment Virtual Atnd	453.00
M358901	Manifold Top Arch Virtual Atnd	563.00
M358905	Manifold Side Spray Arch	556.50
M358906	Manifold, Side Spray Arch 14 N	783.00
M358920	Nipple Foamer Retaining	22.00
M358923	Belt Guard, Inner Profile	75.00
M358924	Belt Guard, Outer frmd Profile	82.72
M358927	Manifold, Underbody 5-hole	322.00
M358930	Manifold, Flexpass 1/2 x 72 SS	275.00
M358935	Manifold, HP Side Rinse Profil	154.00
M358944	Manifold Tri-Color Foam SS 3-h	95.25
M358948	Manifold Solution 9-port	149.50
M358951	Manifold Weldment L.P. OH	92.40
M358985	Manifold Tee Weldment 1" OH	175.25
M358986	Manifold Foamer Tube Weldment	255.75
M359010	Manifold, Bug Prep Application	172.46
M359015	Manifold, Foam Flow	213.00
M359020	MANIFOLD,HYPERFLEX,3/4 x 84"LG	243.75
M379990	Shroud Joystick	304.25
M388865	BRKT, CHANNEL, 1.0 X 6.0" X 11	7.51
M388870	HOUSING, PHOTO-EYE, 2x2 SQR, S	22.75
M388871-A	BRACKET,W/HTR-STRIP,7.5W,STR,P	31.85
M388875	TUBE,LOADING-EYES,2x2x24"LG,16	237.00
M388880	Plate, Sonar Deflector	66.75
M388885	TUBE,SONAR,2x2x6.0"LG,16GA,SST	35.75
M388898	Pipe Weldment OverHead 90deg	243.75
M388909-18	Threaded Rod 1/2" x 18" SS	15.00
M388909-S	Threaded Rod 1/2" x 14" SS	10.94
M388910-S	Threaded Rod, 3/4" x 24"	57.75
M389004	Tensioner, Trolley Drive Profi	31.68
M389005	Tensioner, Trolley Drive PWD P	39.00
M389010-S	Tie Rod 3/4 thd x 24-3/4 SS	58.25
M389011-S	Tie Rod 3/4 thd x 16-3/4 SS	52.93
M389012-S	Tie Rod 3/4 thd x 28-3/4 SS	78.69
M389013-S	Tie Rod 3/4 thd x 14-5/8 SS	46.90

Item Number	Item Description	Price (\$)
M389015-S	Tie Rod, 3/4"thd x 10", SST	35.35
M389018-S	Tie Rod 3/4 thd x 35-5/8 SS	80.10
M389019	Tie Rod, OB Dryer Wall Mount	108.00
M389020	Angle, Tie Rod OBD Wall Mt	17.75
M498965	Panel, LP Pump SS Profile	670.00
M498967	Bracket, LP Pump Support	41.75
M499055	Hinge Fiberglass	28.56
M500000	Bracket, Safety Catch - R3	52.25
M500002	Bracket, Overrail Safety Catch	27.00
M500889	Angle Clip 12GAx2.38x2.75 SS	11.50
M508892	Bracket, Prox F/R Carriage Rai	70.25
M508895	Bracket, Trolley Lmt. Prox RS	33.00
M508896	Bracket, Trolley Lmt. Prox LS	33.00
M508900	Bracket, Carriage Encoder Prox	26.40
M508903	Bracket, Encoder Prox, Profile	65.00
M508904	Weldment, Trly Idler Tens Assy	275.00
M508907	Encoder Flag, Trolley 6 ct. SS	11.50
M508908	Encoder Flag, Carriage 4 ct.	133.00
M508910	Encoder Flag, Profile	26.50
M508914	Bulkhead Plate, E-Chain Carr.	99.00
M508915	Bracket, Tri-Color Foam R3	100.98
M508915-D	Bracket, Tri-Color Foam/Flex P	111.00
M508915-P	Bracket, Tri-Color Foam/Flex P	111.00
M508922	Bracket, HP Pump J Box Mount	25.00
M508923	Bracket, SB Cover Mount L/R	31.50
M508924	Bracket, SB Cover Mount Center	36.00
M508932	Bracket, E-Chain Mount Trolley	11.55
M508935	Plate, Feed Side Conceal Profi	122.00
M508948	Slider, Nylatron Side Load	27.50
M508949	Slider, Nylatron Bearing Top B	39.85
M508952	Plate, Spacer w/Standoffs Trol	159.75
M508953	Plate, Spacer Upper Cushion	39.60
M508954	Plate, Spacer Lower Cushion	21.56
M508955	PLATE,MOTOR MOUNT,PWD	45.00
M508958	Bracket, E-Chain Guide RZR RH	11.25
M508959	Bracket, E-Chain Guide RZR LH	11.25
M508970	BRACKET,ROLLUP SHAFT SUPPORT,	201.75
M508980	Bracket, Cover Mount RS Ent.	230.00
M508981	Bracket, Cover Mount LS Ent.	230.00
M508982	Bracket, Cover Mt. RS Exit	147.00
M508983	Bracket, Cover Mt. LS Exit	147.00
M508995	Bracket, Level Sensor Mount	21.75
M509010	Weldment, WS Upper LS	431.20
M509015	Bracket, WS Top Prox LS	62.75
M509016	Bracket, WS Top Prox RS	62.75
M509020	PLATE,PIVOT,SST	16.00
M509022	Flag, WS Mid Prox Mount	82.40
M509025	Bracket, WS Home Prox	29.00
M509032	PLATE,MOTOR MOUNT,FIXED,PWD 30	64.00
M509035	Bracket, Bottom Nozzle WS Touc	73.68
M509040	Bracket, PWD Encoder Prox	35.00
M518914	Plate Festoon Cable Holder	11.42
M519027	Hinge Retaining Bar 1/4x1x6.75	11.00
M519369	Bracket, Rear Sonar Mount L2 (	15.20



# 2026 PICTORIAL PARTS BOOK



Item Number	Item Description	Price (\$)
M519371	Bracket Mt, RZR Sonar Vertical	30.50
M519373-A	Bracket, Spkr Aud. Alarm Rev2	12.31
M519379	Bracket Mount Measure Eye SS	20.50
M519604	Bracket L-Shape (Overhead)	38.25
M519700	Bracket, Foam Flow Manifold	16.25
M519705	Bracket, TB Stop Laser Mt.	24.00
M519706	Bracket, Prox TB Home	30.75
M519720	Bracket Pinch Cvr Frmd Plastic	44.00
M519723	Bracket, FNF Manifold Mount Pr	28.82
M528918-S	Angle Wall Mount SS 14' to 16'	50.50
M528931-S	Angle Wall Mount 16'-9" to 18	102.00
M538919	Tank Cover 20-1/4x30-3/4 Black	85.00
M538920	Belt Guard 16" x 3.5" x 4.5"	93.00
M538921	Belt Guard Back Flat Plate	71.00
M538923	Guide, Trolley E-Chain RZR/Rev	23.00
M538924-P	Foam Shield, SST Profile	170.00
M538925	Foam Shield, SST Razor	188.35
M538926	Fiberglass Wash Cover, Razor	Call For Price
M538926-H-F	Fiberglass Wash Cvr w/FoamFlow	Call For Price
M538926-S	Fiberglass Wash Cover w/Sonar	Call For Price
M540100	Cover, F/R Profile Carr. Frmd	985.00
M540105	Cover, LS Side Brush w/Tabs	275.00
M540106	Cover, RS Side Brush w/Tabs	275.00
M540110	Cover, LS Wheel Scrub Frmd ABS	495.00
M540111	Cover, RS Wheel Scrub Frmd ABS	495.00
M540150	Cover, RZR Formed ABS Blank (N	1288.00
M542000-B	Cover, RZR Top Arch, PLSTC BLU	105.00
M542005-B	Cover, RZR Mid SIDE Arch, PLST	142.60
M542010-B	Cover, RZR LOWER Side Arch, PL	98.90
M548896	Pipe Bent Overhead f/ Bushing	215.00
M548897	Pipe Bent Overhead Turned	233.00
M548911	Manifold, 1 x 8, 2-hole SS	50.75
M548931	Manifold, 1 x 5, 2-hole	22.50
M548932	Manifold, 1 x 6, 3-hole SS	144.50
M548933	Manifold, 1 x 6, 1-hole SS	31.50
M548937	Manifold, 1 x 6, 2-hole	47.50
M548940	Bracket, Sol. Arm LS Ent. RS E	64.75
M548941	Bracket, Sol. Arm LS Exit RS E	64.75
M548944	Manifold, 1" w/4 Holes Profile	107.80
M548945	Manifold, Rotor Arm PWD Touchl	315.00
M548950	Manifold pvc 9-port TCF weep	228.50
M548951	Manifold pvc 4-port 3X Weep	228.50
M548953	Manifold, 6-port 3/8"	55.00
M548954	Manifold, 7-port, Power Tower	371.75
M578901-S	Sleeve Mount Wall 16"1" to 18'	43.75
M578909	Grease Line Side FlngeBear SS	22.00
M578910	Grease Line Pillow Block SS	28.00
M578911	Grease Line 2 BlkTrolRoller SS	23.00
M578912	Grease Line 1 WhtTrolRoller SS	36.00
M578914	Grease Line Rear Blk Roller SS	29.25
M578915	Grease Line Rear Wht Roller SS	30.00
M578916	Grease Line Front WhtRoller SS	27.50
M578917	Grease Line 3 SS	36.00
M578918	Grease Line Front BlkRoller SS	38.00

Item Number	Item Description	Price (\$)
M578919	Grease Line 4 SS	36.75
M578924	Grease Line Razor OBD LS Exit	21.00
M578925	Grease Line Razor OBD RS Exit	21.50
M578926	Grease line Razor OBD	30.50
M578927	Grease Line Razor OBD RS Ent	31.00
M578930	Grease Line Carrg Drv Shaft Be	22.00
M578931	Grease Line Carrg LS Exit - R3	26.00
M578932	Grease Line Carrg LS Ent - R3	24.00
M578933	Grease Line Carrg RS Exit - R3	26.00
M578934	Grease Line Carrg RS Ent - R3	24.00
M578936	Grease Line Carrg LS Ent Idler	17.50
M578937	Grease Line Carrg RS Exit Idle	18.75
M578938	Grease Line Carrg RS Ent Idler	17.25
M578940	Grease Line Trolley Idler Bear	17.50
M578941	Grease Line Trolley RS Exit To	20.00
M578942	Grease Line Trolley LS Exit To	35.00
M578943	Grease Line Trolley RS Exit Bo	15.50
M578944	Grease Line Trolley LS Exit Bo	29.00
M578945	Grease Line Trolley LS Ent Top	30.00
M578946	Grease Line Trolley RS Ent Top	20.00
M578947	Grease Line Trolley LS Ent Bot	28.00
M578948	Grease Line Trolley RS Ent Bot	15.00
M579965	Washer, Foamer Tube Profile	2.00
M598001	Shaft, 123" Offset TB Rollup	451.00
M598002	Shaft, TB Rollup GB Side	191.50
M598003	Shaft, TB Rollup Bearing Side	99.00
M598004	Shaft, TB Rotate GB Side 1-1/8	495.00
M598005	Shaft, TB Rotate Bear. Side 1-	363.00
M598006	Shaft, Carriage Dr. GB Side Pr	158.40
M598007	Shaft, Side Brush Rotate Profi	409.20
M598008	Shaft, Trolley Drive Profile	231.00
M598009	Shaft, WS Trolley Drive	279.40
M598888	Shaft, Carriage 1 x 6.5	73.48
M598889	Shaft, Carriage Drive Idle 1"	89.75
M598890	Hollow shaft HV Arch	255.20
M598893	Shaft, Trolley Roller	135.00
M598895	Axle, Trolley Shaft	203.04
M598896	Shaft, 1-3/16" x 120" SS	490.00
M598897	Shaft, Hollow Razor 3	279.40
M598898	Shaft, Carr. Drive 1" x 12" RZ	92.50
M598899	Shaft, Carr. Drive 126" - R3	503.80
M598902	Shaft, Trolley Gearbox R3	145.25
M598903	Shaft, Trolley Roller R3	121.00
M598905	Shaft, Carriage Roller	129.80
M598906	Shaft, Carriage Roller R3	116.60
M598910	Shaft, Eccentric, Trly Roller	134.20
M598911	Shaft, Idler Roller, Carriage	90.50
M598913	Shaft, Wheel Scrubber Eccentric	158.40
M598920	Shaft, WS Brush Mount	390.00
M618889	Roller White UHMW	65.25
M618939	Roller Black UHMW	70.00
M618940	Roller, White WS Upper	159.00
M618941	Roller, Ecc. Trolley Profile	91.25
M618942	Roller, Black WS Lower	102.30



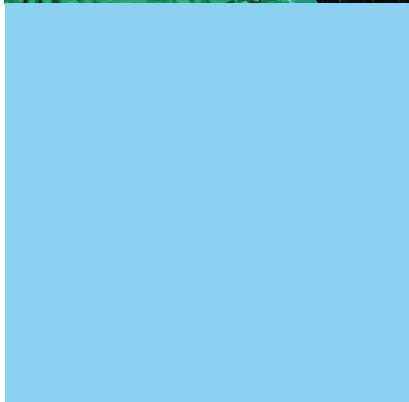
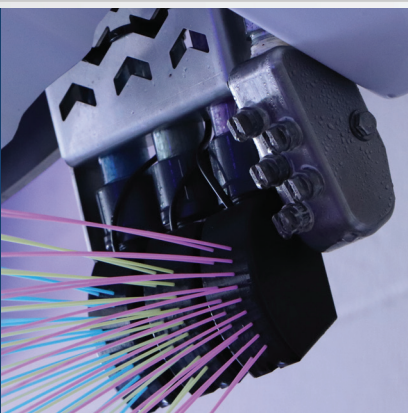
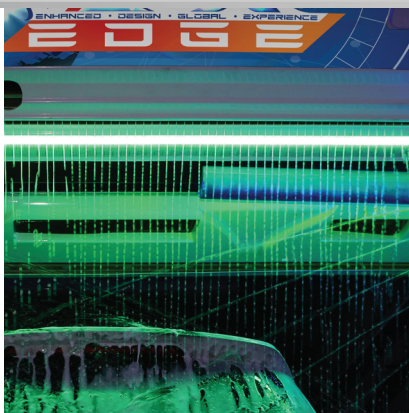
# 2026 PICTORIAL PARTS BOOK



Item Number	Item Description	Price (\$)
M618950	Roller, Tension, Trolley	50.60
M618951	Idler Pulley, Carriage	71.00
M618952	Pulley, Roll-up Profile	267.00
M638890	Cam Index,SST Revv	171.00
M638891	Cam Index, SS	207.36
M638899	Washer 1/8 x 1ID x 1-3/8OD	8.25
M638900	Washer UHMW 1-3/16 ID x3.50 OD	21.38
M638902	Washer 1/4 x 5/16 ID x1-3/4 OD	12.50
M638903	Spacer f/PDQ DD w/WW Shaft	7.92
M658889	Bearing Block 1-3/16 UHMW	108.75
M658891	Block Clamp Spray Arch	145.50
M658899	Block Rail Flag	10.70
M658900	Block Carriage Flag 1/4x 1x 4	28.50
M658901	Spacer, Arch 1/4" thick UHMW	6.00
M658902	Spacer, Arch 1/8" thick UHMW	6.00
M658903	Washer UHMW 1.328"IDx2"OD	30.25
M668887	Y-Bar Mounting Bracket	430.50
M668889	T-Bar Mounting Bracket	475.75
M688890	Shear Bolt, 4 1/2" SS	7.25
M688895	Shear Bolt, 3" Profile WS	9.00
M688897	Cap, 2" x 2" Black PL	3.75
M688899	Cap, UHMW 3"x 3"	2.50
M688900	Cap, 2-1/2" - Sonar	6.00
M688904	Sonar Insert	47.00
M688905	Well Sensor Main Tank 1-1/4"	37.40
M688920	Cushion, 8.5"OD Neoprene 60 Du	101.50
M688921	Cushion, 4.75"OD Neoprene 60 D	50.50
M730511	BRUSH,SIDE,ASSY,BLUE,PRO	3450.00
M730512	Wheel Washer Brush, Profile	295.00
M750000	Brush, 1575mm Med. Fill Profil	290.00
M750001	Brush, 1371mm Med. Fill Profil	255.00
M750002	Brush, 1200mm Med. Fill Profil	215.00
M750003	Brush, 1100mm Med. Fill Profil	200.00
M750004	Brush, 1000mm Med. Fill Profil	170.00
M750005	Brush, 920mm Med. Fill Profile	179.00
M750006	Brush, 920mm High Fill Profile	185.00
M750010	BRUSH,TOP,FLEXFILL,W/HUB,1000M	345.00
M750011	BRUSH,TOP,FLEXFILL,W/HUB,900MM	325.00
M750020	HUB, TOP BRUSH, PLSTC	16.00
M750025	BRUSH,INDV,1000MM,FLEXFILL	9.75
M750026	BRUSH,INDV,900MM,FLEXFILL	9.25
M750050	SHAFT,TOP BRUSH,AL	825.00
M750055	SHAFT,SIDE BRUSH,AL	730.00
M98901-CE	Junction Box J18 CE	125.00
WW007	O-Ring Kit, Spray Arch	10.00
WW010-21	Kit Nozzle, Arch 21 Nozzle Con	230.75
WW010-21-PT-12	Kit Nozzle, 21 Nozzle Arch + 1	235.00
WW010-21-PT-6	Kit Nozzle, 21 Nozzle Arch + 6	250.00
WW010-21-UB	Kit Nozzle, 21 Nozzle Config w	316.00
WW010-7	Nozzle Kit, Laser w\UB or HV	322.00
WW010-7-HV	Nozzle Kit, HV VS2 w/UB	321.00
WW010-7-PT	Kit Nozzle, VS2 w/ 6 hole PT	253.00

Item Number	Item Description	Price (\$)
WW012-RZR	Nozzle Kit HP/FP Manifolds R2	160.00
WW033	Fastener Kit, Arch Kit	12.00
WW072	Festoon Cable Kit	2257.50
WW20036-415	Enclosure Assy J1A 415v 50Hz	1204.50
WW20036-460	Enclosure Assy J1A 460v	692.25
WW20036-575	Enclosure Assy J1A 575v 60Hz	490.00
WW20036-CE	Enclosure Assy J1A CE	825.25
WW20046	Kit Reflectors/Pavement	340.00
WW24-022	Sign, Instructional/Disclaimer	154.00
WW5540	Joystick Control Assembly	654.25
WW6017	Trolley E-Chain Guide Retrofit	40.00
WW6032	Enclosure Assy. UB Razor2/3	268.25
WW6145	Enclosure Assy RZR OBD Univers	411.75
WW6160	Enclosure Assy. Sonar	259.25
WW6170	Enclosure Assy. Tri-Color Foam	275.00
WW650	Safety Bracket Kit, STD Razor	335.00
WW6620-B	Audio Prompt Function	635.00
WW7180	Enclosure Assy, Aux. E- Stop	157.50
WW9220-KIT	Enclosure Kit, Profile Carr. R	687.75
WW9221-KIT	Enclosure Kit, Profile Carr. L	662.00
WW9222-KIT	Enclosure Kit, Profile Bay Box	566.00
WW9223-KIT	Enclosure Kit, Profile VS2	161.00
WW9224-KIT	Enclosure Kit, Profile LP Pump	480.00
WW9225-KIT	Enclosure Kit, Profile HP Pump	299.50
WW9228	HP Motor Starter Enclosure 480	413.25
WW950	Nozzle Kit, FP Pods/Manifold,	232.75
WW9500	Update Kit, TB Truck Slides Pr	615.00
WW9501	Update Kit, PWD Touch Trigger	577.00
WW9502	Top Brush Support Update Profi	218.68
WW951	Nozzle Kit, Cloth Wetter	220.00
WW952	Nozzle Kit, Med. Pres. U/C Pro	47.00
WW953	Nozzle Kit, U/C w/Rocker Blast	108.00
WW954	Nozzle Kit, U/C w/6 Hole PT Pr	1062.00
WW955	Nozzle Kit, Bug 'A Salt Profil	24.00
WW956	Nozzle Kit, PWD Touch Version	2980.00
WW957	Nozzle Kit, PWD Touchless Vers	3929.50
WW970	Retrofit Kit, Top Brush Truck	591.00





Credit Cards Accepted:



All prices are F.O.B. DePere, WI and are subject to change without notice.