

Effective April 2026



PICTORIAL PARTS BOOK & PRICE LIST



All prices are F.O.B. DePere, WI and are subject to change without notice.

2222 American Blvd. | DePere, WI 54115
920.338.9278 | 888.315.7253 | 920.983.0200 (fax) | www.washworldinc.com
email: parts@washworldinc.com



RETURNED MATERIALS AUTHORIZATION (RMA) POLICY

1. Contact Washworld or your local Washworld distributor and request a "Returned Materials Authorization" (RMA) number. Include the following information:
 - What failed?
 - Cause of failure?
 - Invoice number and the date of purchase.
2. A description of the failure must be written on the form along with the RMA number and returned with the defective component within 45 days **freight prepaid** to Washworld Inc. Components returned without an RMA number, incomplete information, or later than 45 days will be ineligible for credit.
3. Washworld Inc. will send a replacement component to the local Washworld distributor or customer and will invoice the distributor or customer for the replacement part after 45 days if we have not received the part back in satisfactory condition or if the part is not covered under warranty. **Any shipping charges other than UPS ground will be invoiced to the distributor or customer.**
4. Upon receipt of the defective part and RMA form, an examination will be conducted to determine cause of failure. Following the RMA examination, Washworld Inc. will determine if the returned component will be covered by the warrant

TERMS AND CONDITIONS

Telephone & Fax Orders

When calling, please provide the following information:

- Carwash or company name
- Shipping address
- Shipping method
- Credit card number (VISA, MasterCard, American Express, Discover)
- Item number, description, quantity
- P.O. number or name of individual authorizing purchase

Shipping Policy

- All orders are shipped ground UPS or common carrier unless special arrangements are requested.
- Shipping charges are the responsibility of the customer and will be added to all orders.
 1. A \$5.00 shipping and handling fee will be added to all orders shipped via UPS.
 2. An additional charge will be added when a common carrier is required due to crating and packaging.
- All orders are F.O.B. Washworld.

Prices

- All prices are subject to change without notice.
- Orders will be invoiced at the current price at the time of order (prices are subject to change without notice).

Warranty

All parts sold, excluding parts deemed "wear items", carry a 90 day Washworld warranty or an extended warranty designated by the OEM Manufacturer's warranty, whichever is longer. Warranty inquiries should be directed to the Washworld Technical Support Department at (888)315-7253.

NOTE: Components deemed "wear items" include, but are not limited to: nozzles, belts, hoses, injectors, fuses, tires, rollers, shear bolts, LED's, light bulbs, bearings, bumpers, etc. are not covered under this warranty.

2222 American Boulevard · DePere, WI 54115 · 920.338.9278 · 888.315.7253 · 920.983.0200 (fax)

www.washworldinc.com email: parts@washworldinc.com

©2026 Washworld, Inc



RMA Request

Returned Materials Authorization

Customer: _____

Contact Person: _____

Address: _____

Telephone: _____

RMA Number: _____ (provided by Washworld)

Serial Number: # _____

Part #	Description
1.	
2.	
3.	
4.	

NOTE: Parts returned without an RMA number will not be credited and may be returned to the sender.

Table of Contents



	Page
Carriage	1 - 2
Side Brush	2 - 3
Top Brush	4 - 5
Loading Eyes, Belt Clamp.....	5
Power Wheel Detailer	6 - 7
Carriage Energy Chain	7
Fluid Distribution and Solution Pod Assemblies	8
Carriage Cover/Decals/Lights/Solution Assemblies	9
Carriage Rail and E-Chain Components.....	10
SDS Panel	11 - 13
High Pressure Pump Station	14
Reclaim	15
Ultimate Control Cabinet (UCC)	15 - 16
Enclosures	17
Chem-Alert™	18
Big Shot™	18
SpectraRay™	18 - 19
G&G Lighting.....	19
Brush Replacement	20
Audio Function/Remote	20
Signs	21 - 22
Dryer Parts and Options	23 - 24
Undercarriage and Power Towers	25
Reverse Osmosis System	26



NOTE: Items not specific to LXR can be found in the corresponding Profile sections

	Page
Carriage	27
C-Channel	27
Loading Eyes	27
Carriage Cover/Flex Pass	28
LP Pump Panel	28 - 30
UCC	30
Remote/Audio	30
Brush Replacement	30
Enclosures	31
Carriage E-Chain	31



NOTE: Items not specific to Apex can be found in the corresponding Profile sections

	Page
Side Arms/Covers	32
Top Arch	32 - 33
Carriage Covers/Decals	34
SDS Panel	34
HP Pump Station	35
UCC	36
Carriage Energy Chains/Support Rollers	36
Enclosures	37
Motor/Gearbox and Key Quick Reference Chart	38
Wall Mount, FSF, and OBD Troughs and Brackets	39

Washworld Price List (Effective April 2026)	40 to End
---------------------------------------------------	-----------

Parts Order-Receipt of shipment (Non-Equipment)

Washworld makes every effort to ensure that all orders are shipped complete and accurate. Customers are responsible for inspecting shipments promptly upon receipt.

Reporting Timeline

Any incomplete or missing item(s) must be reported to Washworld **within ten (10) calendar days** of receipt of the order.

Required Information

To initiate a missing item review, please submit the following documentation:

- **Packing Slip and/or Invoice**

A copy of the packing slip and/or Invoice identifying:

- Part number(s)
- Item description(s)
- Quantity of missing item(s)
- Delivery tracking number(s) for the shipment (e.g., FedEx, UPS, DHL).

Submission

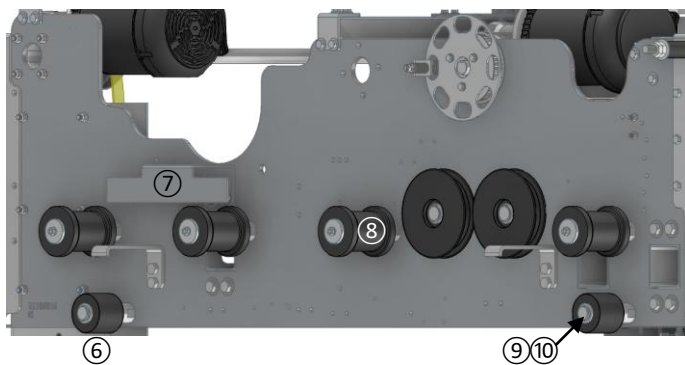
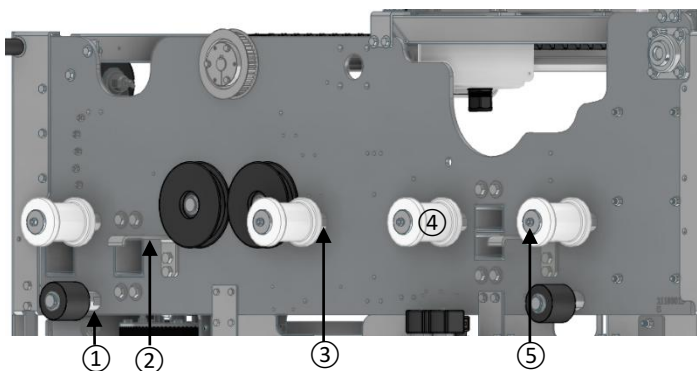
All documentation must be submitted to the Parts Department via Email: Parts@washworldinc.com



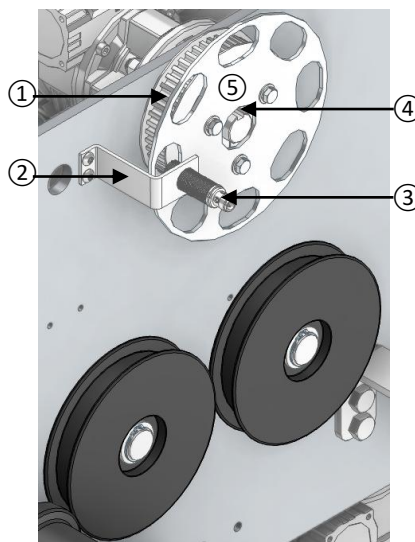
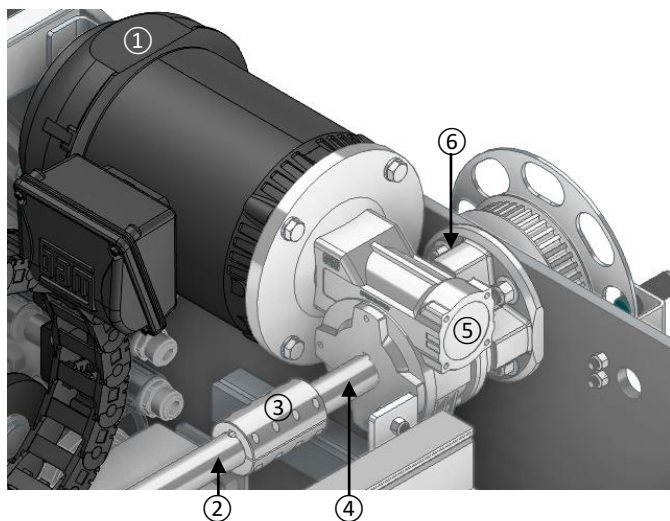
GLOSSARY OF TERMS

Abbr.	Meaning	Abbr.	Meaning	Abbr.	Meaning
A	Amp	Hz	Hertz	SDS	Solution Delivery System
AWG	Wire gauge	LS	Left side. When viewing from the entrance end towards the exit of the bay.	RS	Right side. When viewing from the entrance end towards the exit of the bay.
B	Bottom	LP	Low Pressure	SST	Stainless Steel
BR	Brass	M	Meter	ST	Straight
BRKR	Circuit Breaker	MNPT	Male National Pipe Thread	SWVL	Swivel
DEG	Degree	NC	Normally Closed	T	Top or Tube
ENT	Entrance	NO	Normally Open	TB	Top Brush
EX	Exit	NP	Not Pictured	TCF	Tri-Color Foam
F/R	Front / Rear	NPT	National Pipe Thread	UC	Undercarriage
FTG	Fitting	P	Pole	UCC	Ultimate Control Cabinet
FSF	Free Standing Frame	PH	Phase	VAC	Volts Alternating Current
GPM	Gallons Per Minute	PSI	Pounds per Square Inch	VDC	Volts Direct Current
H	Hose	PVC	Polyvinyl Chloride	WM	Wall Mount
HP	Horsepower or High Pressure	SB	Side Brush	WP	Wash Progress





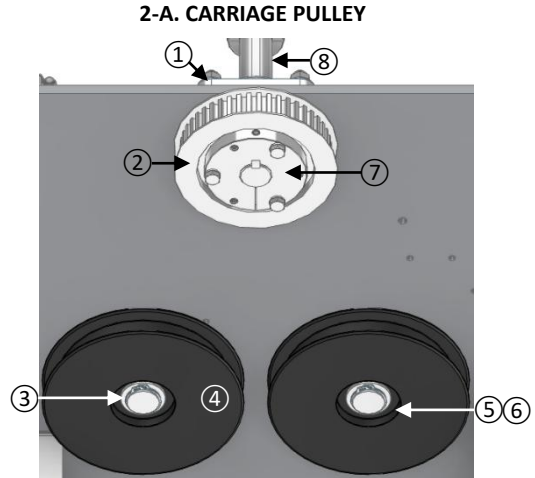
1-A. CARRIAGE END PLATES		
1	M598910	Shaft, Eccentric
2	M500002	Safety Bracket
3	M598906	Shaft, Carriage R3
4	M618889	Roller, White (LS)
5	M638902	Washer (outer)
	/G0053	Bolt, 5/16" x 3/4", SST
	/GA065	Lock Washer, 5/16", SST
6	M618950	Tension Roller
7	M330800	Flag, F/R Limit
8	M618939	Roller, Black (RS)
9	M638899	Washer (outer)
10	12389	Snap Ring 1"



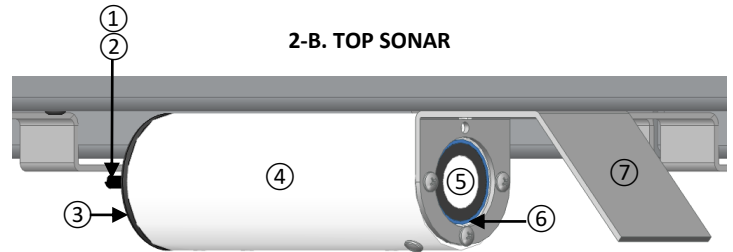
1-B. CARRIAGE DRIVE		
1	36922	Motor, 3/4HP 208 VAC
2	M598899	Shaft, Carriage Drive 126"
3	12092	Coupling, Drive 1"
4	M598006	Shaft, Carriage Drive
5	17957	Gearbox, 43:1 Carriage Drive
6	17955	Output Flange, Gearbox
	35304	Strain Relief, 1/2" (NP)
	33365	Cable, 70", motor (NP)

1-C. CARRIAGE DRIVE		
1	8950	Drive Gear, Carriage/Trolley
2	M508903	Bracket, Encoder
3	91925	Prox Switch, 18mm P&F
4	8953	Bushing, Carriage Drive
5	21080084	Encoder Flag
	33263	Prox Cord, 90° 5m (NP)

2-A. CARRIAGE PULLEY		
1	8907	Bearing, Flange, 1"
2	8950	Drive Gear, Carriage/Trolley
3	M598911	Shaft, Idler Roller
4	23060002	Roller, Idler
5	M638899	Washer (outer)
6	12389	Snap Ring, 1"
7	8953	Bushing, Carriage Drive
8	M598889	Shaft, Carriage Drive Idle Side

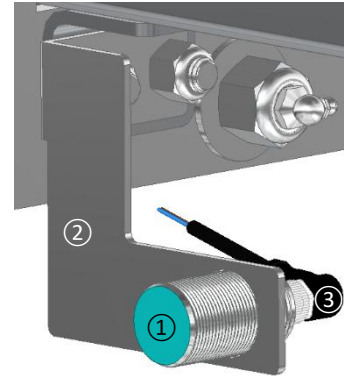


2-B. TOP SONAR		
1	33272	Cord, Sonar 15m
2	35287	Strain Relief, 1/4"
3	M688900	Cap, 2-1/2"
4	M388886	Housing, Sonar
5	33530006	Sonar, Top Profile, Tele
	91899-PRO	Sonar, Top, Profile, P&F
6	M688904	Sonar Insert
7	M388880	Plate, Deflector



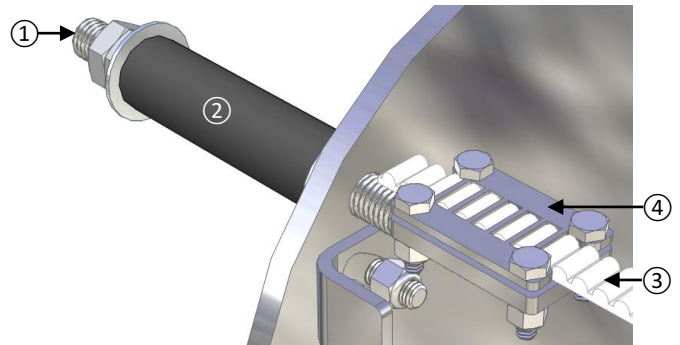
2-C. SIDE BRUSH HOME PROX		
1	91926	Prox Switch, 30mm P&F
2	M508895	Bracket, Trolley Limit PS/RS
	M508896	Bracket, Trolley Limit DS/LS
3	33263	Prox Cord, 90°, 5m

2-C. SIDE BRUSH HOME PROX



2-D. BELT TENSIONER		
1	21430002	Slide, Carriage Belt Tensioner
2	21420001	Bumper, 5/8"
3	9976	Belt, Trolley 15mm x 174"
4	21430003	Clamp, Carriage Belt Tensioner

2-D. BELT TENSIONER

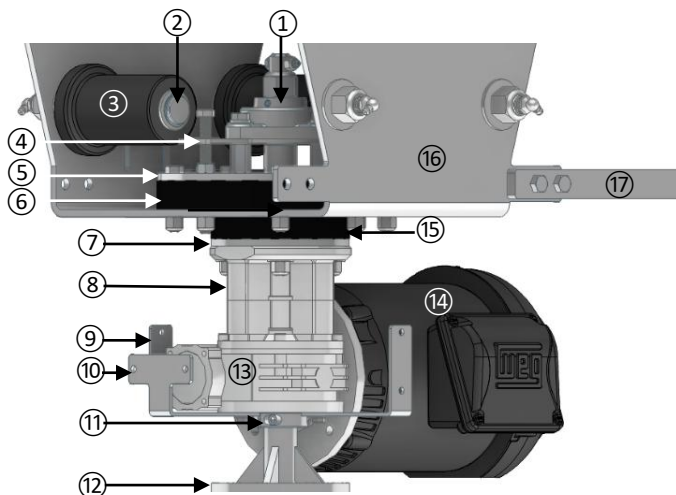
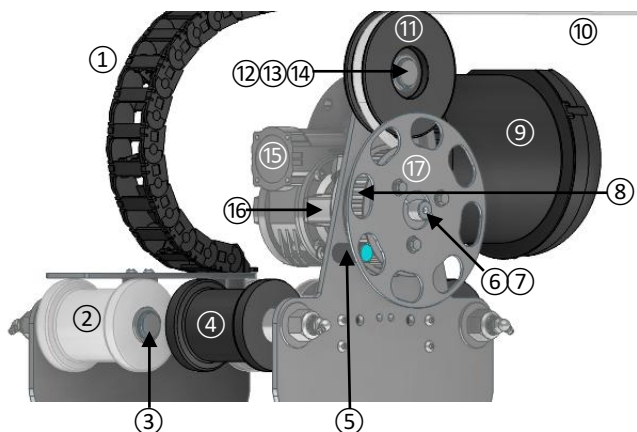


2026 PICTORIAL PARTS BOOK

PROFILE

XP
PROFILE

APEX
PROFILE



3-A. SIDE BRUSH TROLLEY (UPPER HALF)

1	42100009	E-Chain, Blank, Iigus
2	M618889	Roller, White
3	M598903	Shaft, Trolley Roller
4	M618939	Roller, Black
5	91925	Prox Switch, 18mm
6	8952	Bushing, Trolley Drive Gear
7	M598008	Shaft, Trolley drive
8	8950	Drive Gear, Carr. / Trolley
9	36917	Motor, 1/2 HP, 208VAC
10	9976	Belt, Trolley 15mm x 174"
11	M618951	Roller, Idler
12	M598911	Shaft, Idler Roller
13	M638899	Washer 1/8 x 1ID x 1-3/8"OD
14	12389	Snap Ring, 1"
15	17957	Gearbox, 43:1
16	17955	Flange, Gearbox
17	21080084	Encoder Flag
33263		Prox Cord, 90° 5m (NP)
33365		Cable, 4 Cond., motor (NP)
35304		Strain Relief, 1/2" (NP)

3-B. SIDE BRUSH TROLLEY (LOWER HALF)

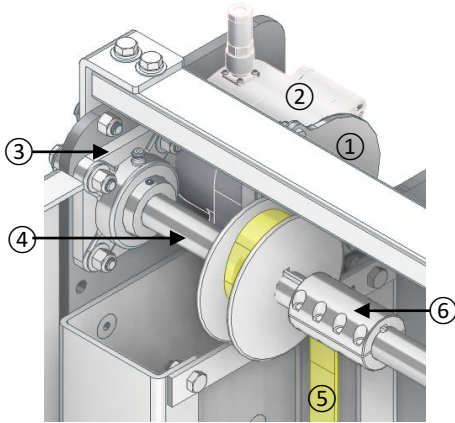
<i>NOTE: Roller and shaft hidden to show internal parts.</i>		
1	8907	Bearing, Flange 1" 4 Bolt
2	M598913	Shaft, Eccentric
3	M618941	Roller, Eccentric, Trolley
4	M508952	Plate, Spacer w/standoffs
5	M508953	Plate, Spacer Upper Cushion
6	M688920	Cushion, 8.5" OD Neoprene
7	M508954	Plate, Spacer Lower Cushion
8	17956	Spacer, Output Gearbox
9	M508923	Bracket, SB Cover Mount L/R
10	M508924	Bracket, SB Cover Mount Center
11	78493	Set Collar, 1-1/8" SS
12	M598007	Shaft, SB Rotate
13	17954	Gearbox, 18:1
14	36922	Motor, 3/4HP 208VAC
15	M688921	Cushion, 4.75" OD Neoprene
16	21120002	Trolley Frame Side Brush
17	21060004	Bracket, Mechanical Stop
/MC099		SHCS, M6-1 x 65mm, SS (NP)
/MC094		SHCS, M6-1 x 40mm, SS (NP)

3-C. SIDE BRUSH COVERS

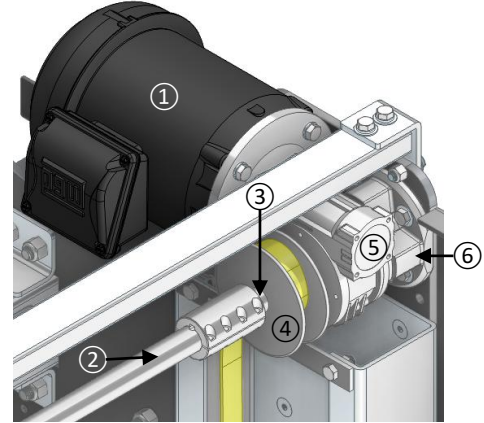
1	M540105	Cover, ABS, LS
2	M540106	Cover, ABS, RS
3	50800048	Assy, Fld-Instl, Bug-Prep

3-C. SIDE BRUSH COVERS

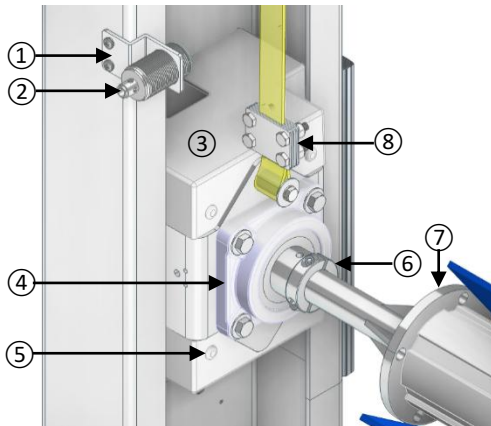




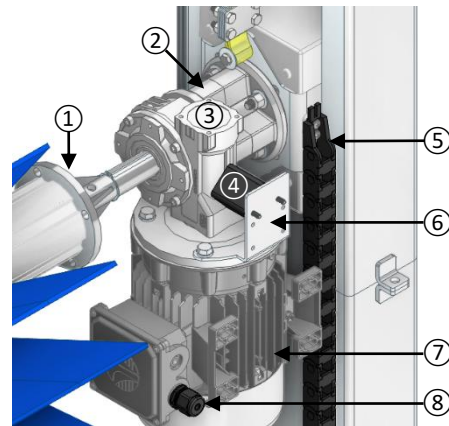
4-A. TOP BRUSH ROLLUP (LEFT SIDE)		
1	21000004	Bracket, String-Pot, P&F (NP)
	21000075	Bracket, String-Pot, Celesco
2	92066-P	Encoder, String Pot, Celesco
	33570003	Sensor, String-Pot, P&F (NP)
3	8907	Bearing, Flange 1" 4 Bolt
4	M598003	Shaft, Single Bearing Side (NP)
	23120007	Shaft, Bearing, Top-Br-Rollup, 1", SST
5	50450007	Update, TB Lift Belt Set
6	12092	Coupling, 1"
	33263	Cord, Prox, 5m, 90° (NP)



4-B. TOP BRUSH ROLLUP (RIGHT SIDE)		
1	36917	Motor, 1/2 HP
2	M598001	Shaft, Center TB 123" offset
3	M598002	Shaft, TB Rollup GB Side
4	M618952	Pulley, TB Rollup
5	17958	Gearbox, 60:1
6	17955	Flange, Output Gearbox

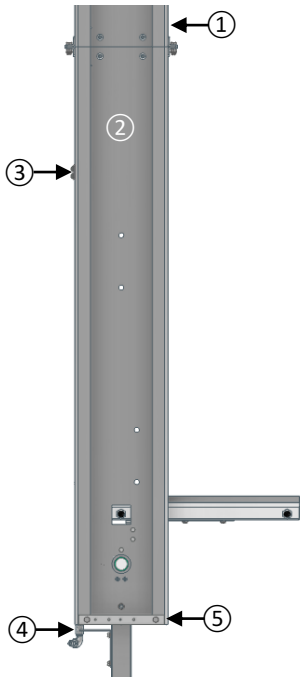
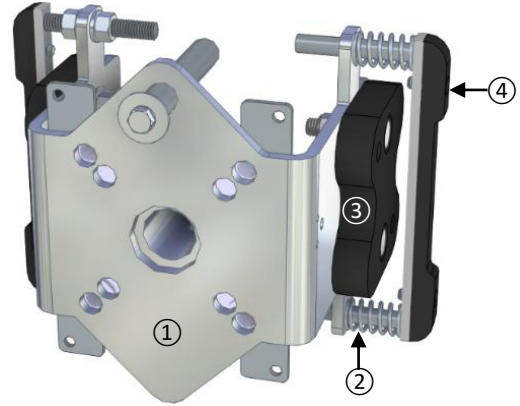


4-C. TOP BRUSH ROTATION (LEFT SIDE)		
1	M519706	Bracket, Prox, TB Home
2	91926	Prox switch, 30mm
3	M519720	Pinch Cover
4	23030002	Bearing, Flange, 1-1/8"
5	/94000034	Rivet, Push, Nylon
6	78493	Set Collar 1-1/8"
7	M598005	Shaft, TB Bearing Side
8	21080073	Plate, Clamp, Lift Belt
	33270	Cord, P&F 15m, 90°(NP)

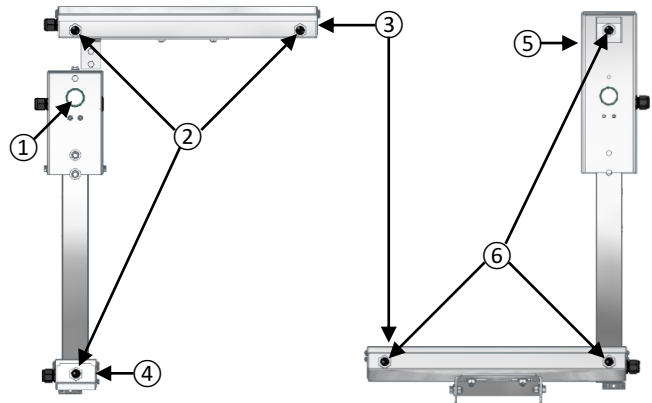


4-D. TOP BRUSH ROTATION (RIGHT SIDE)		
<i>NOTE: M508995 required for P&F to IFM conversion.</i>		
1	M598004	Shaft, TB Rotate GB Side
2	17956	Spacer, Output Gearbox
3	17953	Gearbox, 14:1
4	33560001	Level sensor, IFM (black)
	92070	Level Sensor P&F (green) (NP)
5	34210010	E-Chain, Igus TB
6	M508995	Bracket, Level Sensor
7	31030001	Motor, 1 HP
8	35304	Strain Relief 1/2"
	33272	Cord, P&F Sonar 15m (NP)
	33365	Cord, 4 Cond., 18awg (NP)

5-A. TOP BRUSH SLIDE ASSEMBLY		
1	M508945	Weldment, TB Roller Assy.
2	22050001	Spring, 1.25LG, .688OD, .50ID, RS
	22050002	Spring, 1.25LG, .72OD, .576ID, LS
3	M508949	Slider, Nylatron Bearing
4	M508948	Slider, Nylatron Side Load
43970		Grease, Marine 8oz. (NP)
WW9500		Update Kit, TB Slides (NP)

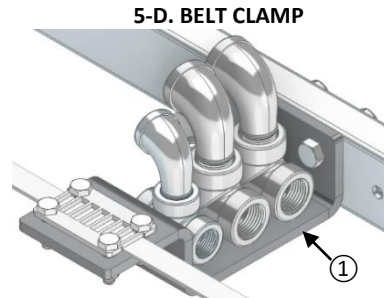


5-B. TOP BRUSH C-CHANNEL		
1	20010034-3	Channel, Top Brush, Top, RS
	20010033-3	Channel, Top Brush, Top, LS (NP)
2	20010034-4	Channel, Top Brush, Bottom, RS
	20010033-4	Channel, Top Brush, Bottom, LS (NP)
3	M519707	Bracket, E-chain mount
4	M519725	Bracket, Cloth Wetter
5	M519705	Bracket, Stop
M298917-B		Bracket, Channel Attach. (NP)



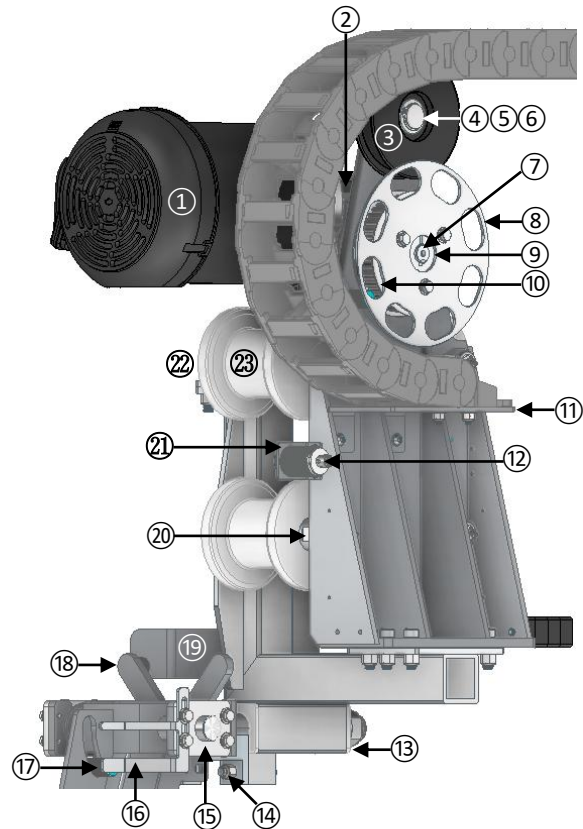
5-C. RIGHT & LEFT-SIDE LOADING EYES		
1	91900-Side	Sonar, Side, P&F
2	33510006	Sensor, Receiver
3	21080090	Housing, Dual Sensor
	23240010	Housing, Dual Sensor, Cover
4	21080089	Housing, Single Sensor
	23240008	Housing, Single Sensor, Cover
5	21210007	Housing, Sonar
	23240009	Housing, Cover, Sonar
6	33510005	Sensor, Transmitter

5-D. BELT CLAMP		
NOTE: Touchless PWD Shown		
1	21000093	Bracket mount, Belt
	21000094	Bracket mount, Belt, OBD (NP)



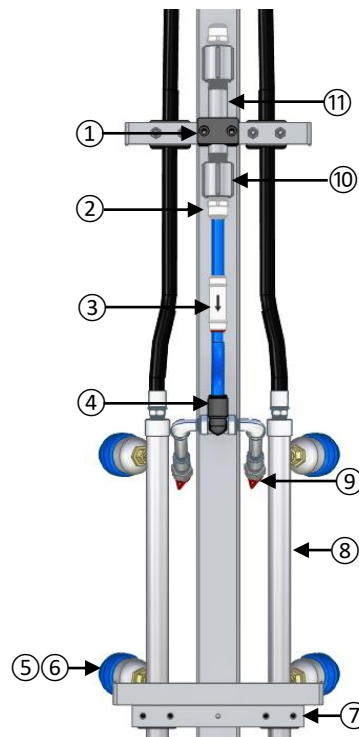
6-A. PWD TROLLEY AND UPPER SIDE ARM		
1	36917	Motor, 1/2HP, 3PH, WEG
2	17957	Gearbox, Bravo 43:1, 1" Bore 56C
3	M618951	Idler Pulley
4	M638899	Washer 1/8 x 1"ID x 1-3/8" OD
5	12389	Snap Ring, 1"
6	M598911	Shaft, Idler Roller
7	M598008	Shaft, Trolley Drive Profile
8	21080084	Encoder, Wheel
9	8952	Bushing, Drive Gear
10	8950	Drive Gear
11	21000097	Bracket, E-Chain Mount
12	91926	Prox Switch, 30mm
13	8928	Bushing, I-glide, Round (NP)
	23030005	Bushing, UHWM, Square
14	M688895	Shear Bolt, 3"
15	M509020	Plate, Pivot
16	M509022	Flag, Trigger/Overtravel
17	91925	Prox Switch, 18mm P&F
18	21120003	Weldment, PWD Upper
19	21040011	Bracket, PWD Top Prox (RS)
	21040010	Bracket, PWD Top Prox (LS) (NP)
20	M598913	Shaft, Eccentric Rollers (Lower)
21	M509025	Bracket, PWD Limit Prox
22	M598903	Shaft, Trolley Roller (Upper)
23	M618940	Roller, PWD Upper
33263		Cord, Prox 5m 90° (NP)

6-A. PWD TROLLEY AND UPPER SIDE ARM



6-B. SIDE ARM FLUID CONNECTIONS		
1	73298	Clamp, 21.3mm
2	23242-PB	Fitting, Tube, 1/2" T x 1/2" NPT
3	62047	Valve, Check 1/2" Push Fit
4	23243-PB	Fitting, Elbow, 1/2" T x 1/4" NPT
5	63530	Nozzle, Turbo, 3.0 GPM
6	63535	Nozzle Protector, Turbo
7	73905	Clamp Tube, 1"
8	M358935	Manifold, 1" w/4 holes HP
9	63540	Nozzle, Full Jet, 1/4" NPT
10	66686-P	Coupling, Full 1/2" SCH 80 PVC
11	65902-4P	Nipple, 1/2" x 4-1/2" PVC
M579965		Washer, Foamer Tube (1/tube) (NP)
43210001		SST foaming material (NP)
90890		Ultrafoam material (1 piece/3 foamer tubes) (NP)

6-B. SIDE ARM FLUID CONNECTIONS

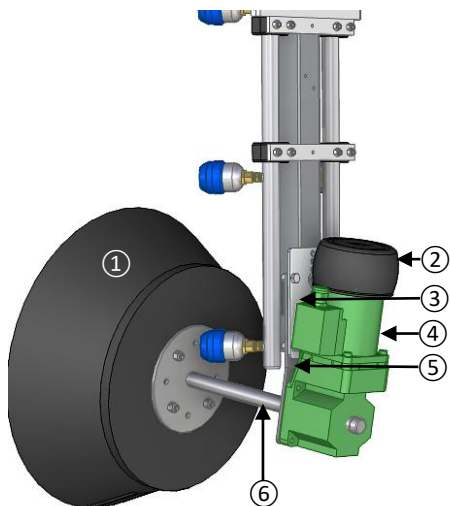


2026 PICTORIAL PARTS BOOK

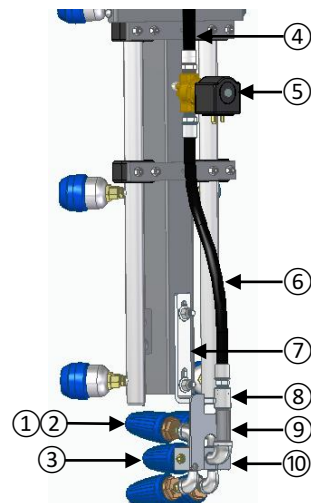
PROFILE

LXP
PROFILE

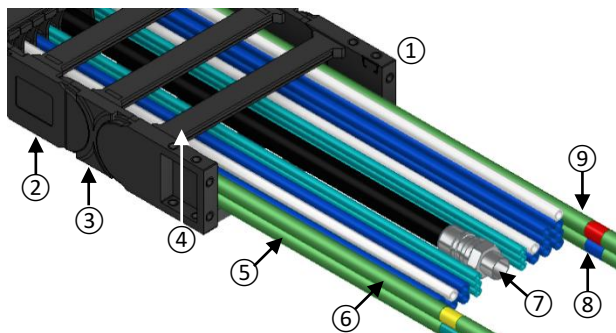
APEX
PROFILE



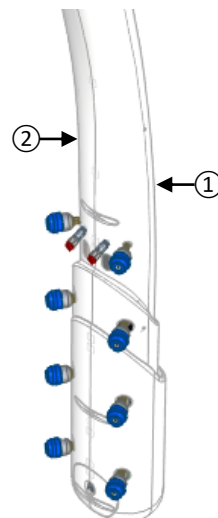
7-A. LOWER SIDE ARM (TOUCH)		
1	M730512	Wheel Washer Brush
2	318500001	Filter, Prot, Hydro-Phbc, Pwd-Mtr
3	M508955	Plate, Motor Mount, Adjustable
4	50530001	Motor + Filter Assy.
5	M509032	Plate, Motor Mount Fixed
6	M598920	Shaft, PWD Brush Mount
		WW956 Nozzle Kit, PWD Touch (NP)



7-B. LOWER SIDE ARM (TOUCHLESS)		
1	43080001	Cap, Nozzle, Blue
2	43060007	Nozzle, Rotating, 5.5 GPM
3	43060008	Nozzle, Rotating, 7.0 GPM (Total of 5 nozzles Apex only)
	43060005	Nozzle, Rotating, 3.0 GPM
5	61946	Valve, Sol., NC, 3/8"
6	42845	Hose Assy. 3/8" x 17" OAL
7	21060007	Bracket, Mech-Stop, SST
8	66683-4S	Coupling, 3/8" SST
9	41030016	Nipple, 3/8" x 2-1/2", SST
10	21500024	Manifold, Block, 3-Hole, SST
		50720009 Nozzle Kit, PWD TL, Giant, PRO (NP)
		50720010 Nozzle Kit, PWD TL, Giant, APX (NP)



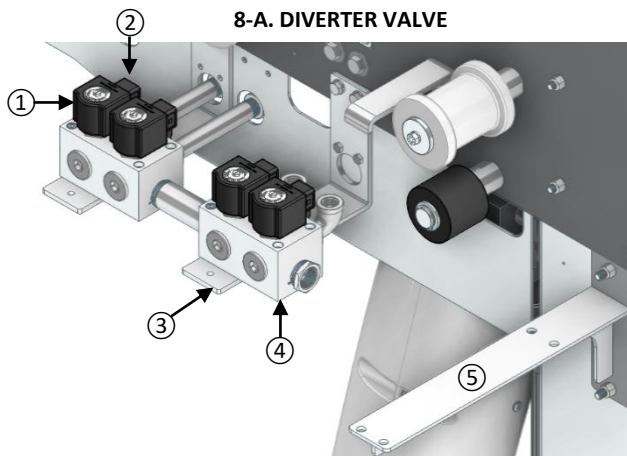
7-C. CARRIAGE ENERGY CHAIN		
1	33300-A-RS	E-Chain, Profile Carriage, RS
	33300-A-LS	E-Chain, Profile Carriage, LS
2	33283-P	E-Chain Pivot
3	33283-L	E-Chain Linkage
4	33284-C	E-Chain Crosslink
5	34350002	Cable, LS, Green, 378"
	34350006	Cable, RS, Green, 534"
6	34350001	Cable, LS, Yellow, 534"
	34350005	Cable, RS, Yellow, 378"
7	42820	Hose, 3/4" X 268" w/ Wrap
8	34350004	Cable, LS, Blue, 378"
	34350008	Cable, RS, Blue, 534"
9	34350003	Cable, LS, Red, 534"
	34350007	Cable, RS, Red, 378"



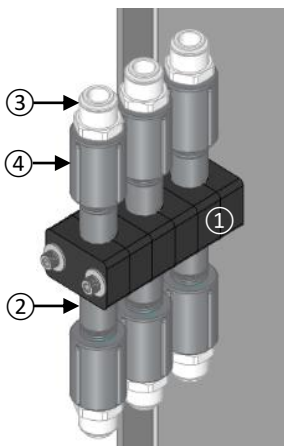
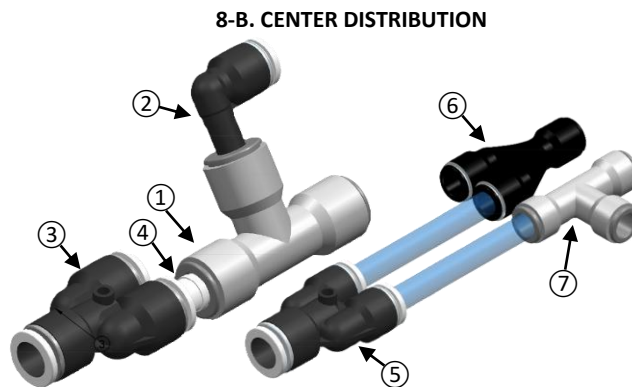
7-D. SIDE ARM COVERS		
1	21280034	Cover, LS, ABS
2	21280035	Cover, RS, ABS



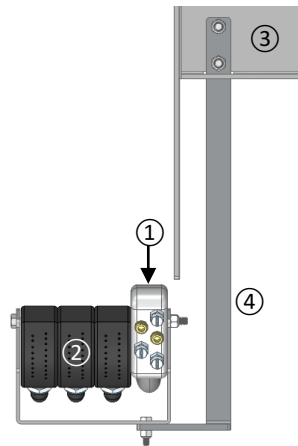
8-A. DIVERTER VALVE		
NOTE: Image of PWD-optional machine		
1	61929	Coil, Danfoss, 24VAC (NP)
	34200003	Coil, NC, 24VAC, Dema
2	61939-R	Terminal Cord, w/ DIN, 63"
3	M508942	Bracket, Div. Valve, Danfoss (NP)
	21000077	Bracket, Div. Valve, Dema
4	61952	Valve, Sol, Danfoss (NP)
	46100005	Valve, NC/NC, 1" NPT, Dema
5	M519714	Bracket, E-Chain, Profile
CHANGE-OVER VALVE REPAIR		
	46260003	Repair Kit, Stem, NC, Dema-DP-VLV
	46260004	Repair Kit, Stem, NO, Dema-DP-VLV
	46260005	Kit, Repair, Piston, Dema-DP-VLV
	61953	Stem, N.O. 1" Danfoss VLV
	61954	Stem, N.C. 1" Danfoss VLV
	61952-S-KIT	Seal Kit, VDHT Valve



8-B. CENTER DISTRIBUTION		
1	41150004	Ftg, Tee, 1/2 x 1/2x3/8, Plstc
2	41150011	Ftg, Elbow, 3/8T x 3/8 Stem, Plstc
3	41150012	Ftg, Y-BR, 1/2" T, Plstc
4	41140002	Ftg, Nipple, 1/2" T, Plstc
5	41150010	Ftg, Y-BR, 1/2 x 3/8 x 3/8, Plstc
6	41150001	Ftg, Y-BR, 3/8" T, Plstc
7	22930-NY	Tube Fit 3/8" Tee, Nylon
	77850	Strap, Cinch, Profile (NP)



8-C. FOAMER TUBES		
Note: Entrance end shown		
1	73298	Clamp, Pipe 21.3 mm
2	65902-4P	Nipple, 1/2" x 4-1/2" PVC
3	23242-PB	Fitting, Tube, 1/2" T x 1/2" NPT
4	66686-P	Coupling, 1/2", SCH80, PVC
	M579965	Washer, Foamer Tube (NP)
	90890	Mesh Plastic, Ultrafoam (NP)
	43210001	SST Foamer Material (NP)



8-D. SPRAY PODS		
1	95095	Foamer Head, Flex Pass SST
2	95100-A	Foamer Head, Dual Stream
3	21000072	Bracket, Cover Mount RS Ent. (NP)
	21000073	Bracket, Cover Mount LS Ent. (NP)
	21000070	Bracket, Cover Mount RS Exit
	21000071	Bracket, Cover Mount LS Exit (NP)
4	M548940	Bracket, LS Ent. & RS Exit
	M548941	Bracket, LS Exit & RS Ent. (NP)
	62047	Valve, Check, 1/2" T (NP)
	WW950	Nozzle Kit (NP)

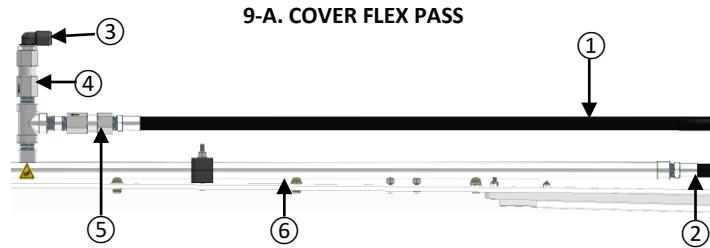
2026 PICTORIAL PARTS BOOK

PROFILE

LXP
PROFILE

APEX
PROFILE

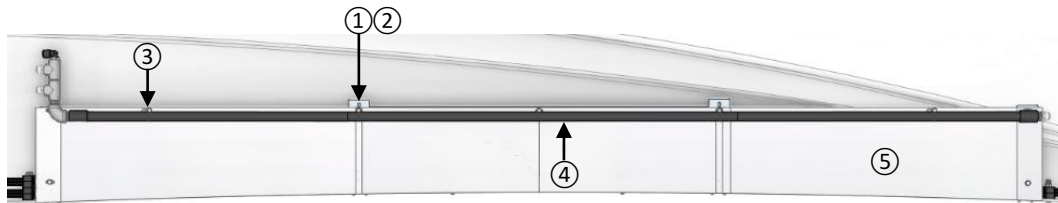
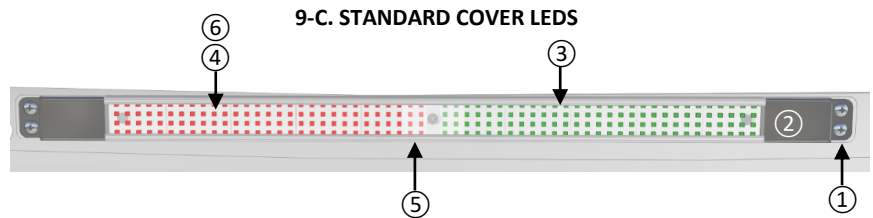
9-A. COVER FLEX PASS		
1	41550014	Hose, 1/2" x 94", Entr.
	42822	Hose, 1/2" x 114", Exit (NP)
2	42830	Hose, 1/2" x 50", Pods, Profile
3	23245-PB	Tube Fit Elbow 1/2T x 1/2npt
4	62031	Valve, Check 1/2" F x F
5		
6	M358930	Manifold, Flex Pass 1/2" x 72"



9-B. MACHINE COVERS, DECALS & LEDS		
1	M540100	Cover, F/R, Profile ABS
2	80040002	Decal, F/R Cover Profile MAX
	80040001	Decal, F/R Cover Profile ST (NP)
3	80040003	Decal, C-Channel RS
4	80040004	Decal, C-Channel, LS
	83925-5	Light Strip, LED Blue 5 meter (NP)



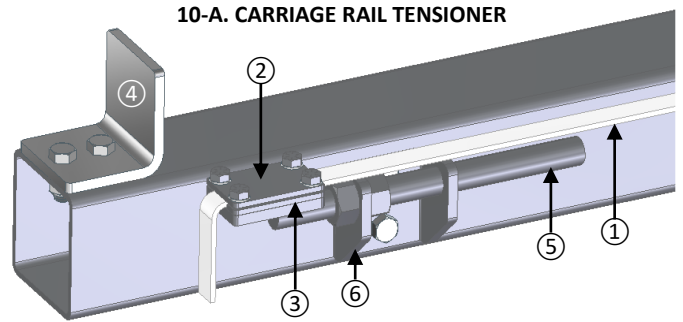
9-C. STANDARD COVER LEDS		
1	21000019	Bracket, Mount PVC Angled
2	21080014	Cap, End, LED-Rtnr, SST
3	34630005	LED Strip, 28mm Green
4	34630006	LED Strip, 28mm Red
5	21080028	Mount, Tray PVC White
6	21080027	Cover, Lens, Clear Acrylic



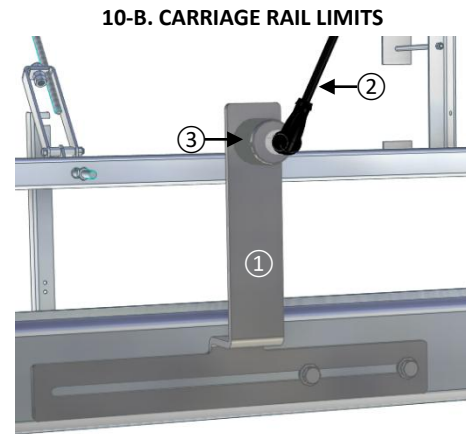
9-D. FOAM 'N FLOW COVER ASSEMBLY		
1	21020014	Bracket, Support Foam Sheet
2	M508990	Bracket, FP Manifold Mount
3	M519700	Clamp, FNF Manifold
4	M359015	Manifold, FNF Profile
5	M538924-P	Foam Sheet, FNF, SST



10-A. CARRIAGE RAIL TENSIONER		
1	9975	Belt, 15mm x 468"
2	21430003	Plate, Clamp
3	21430004	Plate, Backer
4	M100004	Bracket, Roller Stop
5	21430002	Slide, Belt Tensioner
6	21430001	Mount, Belt Tensioner
50480002		Kit, Update Belt tensioner (NP)



10-B. CARRIAGE RAIL LIMITS		
1	M508892	Bracket, Prox., Front Limit
	21040004	Bracket, Prox., Rear Limit (NP)
2	33270	Cord, Prox 15m
3	91926	Prox Switch, 30mm



10-C. E-CHAIN TROUGH ROLLER		
1	21080038	Sleeve, E-Chain Roller, UHMW
2	21080036	Shaft, E-Chain Roller
20170009		Install, Trough Guides (NP)
50450002		Kit, Update, E-Chain Support (NP)

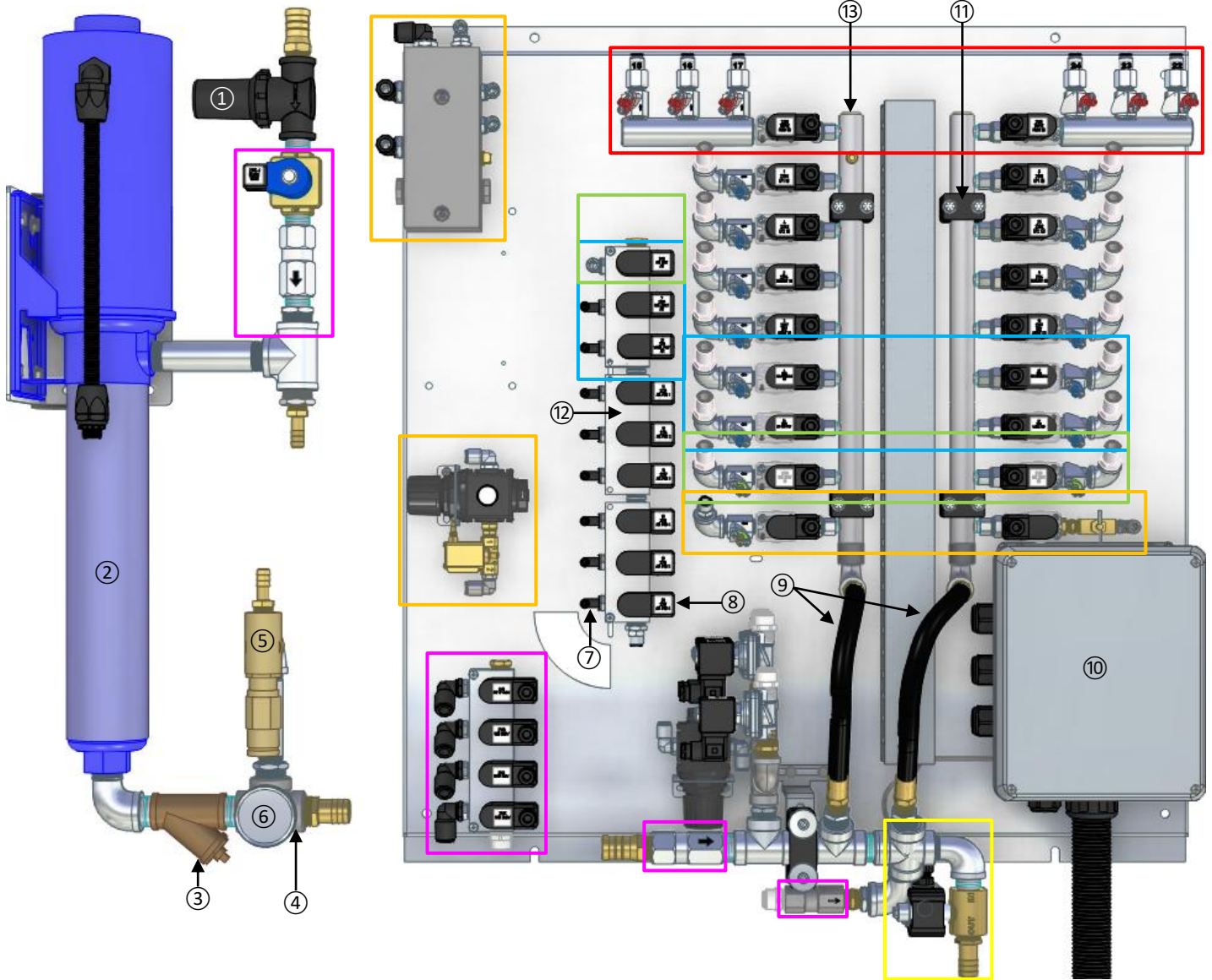


2026 PICTORIAL PARTS BOOK

PROFILE

LXP
PROFILE

APEX
PROFILE



11-A. PROFILE SDS PANEL

NOTE: Depicts fully optioned panel.

1	42230002	Filter, Water 3/4"	9	42836	Hose Assy. 1/2 x 1/2 x 15-3/4"
2	61057	Pump, Gould 3HP 3 PH 14 Stage	10	WW9224-KIT	Enclosure Assy, SDS Panel
3	2P810	Y-Strainer, 1" 80 Mesh	11	73905	Clamp, Pipe 1" Black
4	M100007	Tee, 1" w/Hole SST	12	61913	Valve Bank Assy., 3 port
5	46130002	Valve, Unloader Greaseable LP		61912	Rebuild Kit, Valve Bank (NP)
6	23920	Gauge, Pressure 0-160 psi	13	M358948	Manifold, Solution 9 port
7	23239-PB	Tube Fit Male Swvl 3/8Tx3/8npt	14	61915	Valve, 3/8", DEMA, NC SST
8	61939-C	Terminal Cord, w/DIN, 51"		34200002	Coil, Valve, 24V, DEMA (NP)

Options

Blowdown; see page 13

Foam 'N Flow; see page 13

TCF; see page 12

ESD; see page 12

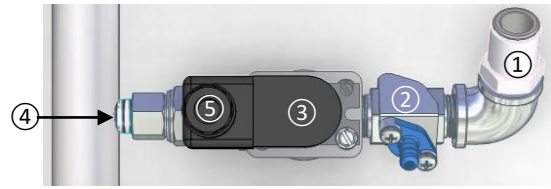
Big Shot; see page 13

Undercarriage; see page 13



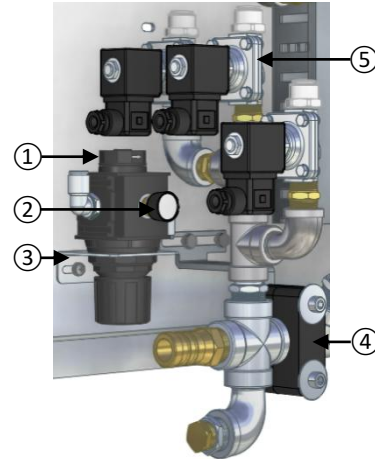
12-A. SOLUTION VALVE ASSEMBLY		
1	41150003	Fitting, 1/2" T x 3/8" NPT
2	62376-X	Injector, XFO Ring, Blue, .086 (NP)
	43300006	Injector, DEMA, Blue, .086
3	61915	Valve, DEMA, NC, 3/8"
	34200002	Coil, Valve, 24V, 50-60HZ, DEMA (NP)
4	43442-S	Fitting, Hyd. Swivel, 3/8" x 1/4"
5	61939-C	Terminal Cord, w/DIN, 51"

12-A. SOLUTION VALVE ASSEMBLY



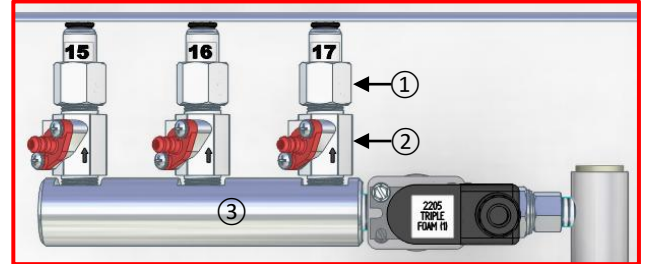
12-B. RINSE MANIFOLD AND AIR REGULATOR		
1	25050	Regulator, Air, 3/8"
2	23936	Gauge, Pressure, 0-300 psi
3	25200	Bracket, Air Regulator
4	73916	Clamp Tube 1" Pipe
5	61940	Valve, NC, 1/2", 24VAC

12-B. RINSE MANIFOLD AND AIR REGULATOR



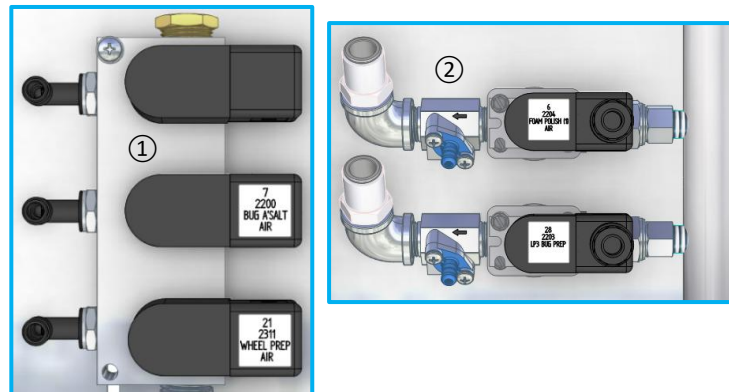
12-C. TRI COLOR FOAM		
1	22929-PB	Fitting, 3/8" T x 3/8" FNPT
2	62369-X	Injector, XFO Ring, Red, .057 (NP)
	43300004	Injector, DEMA, Red, .057
3	M358944	Manifold, 3 Hole

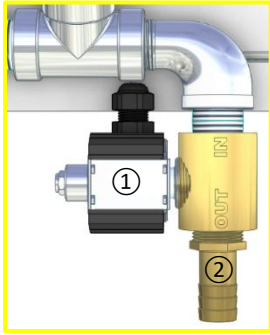
12-C. TRI COLOR FOAM



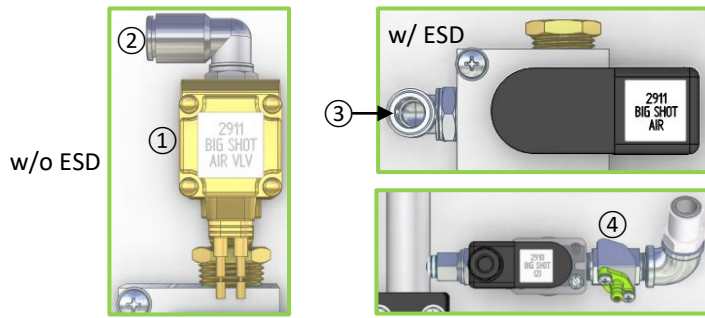
12-D. EXTENDED SOLUTION DELIVERY		
1	61913	Valve Bank, 3 port
2	62376-X	Injector, XFO Ring, Blue, .086, (NP)
	43300006	Injector, DEMA, Blue, .086

12-D. EXTENDED SOLUTION DELIVERY



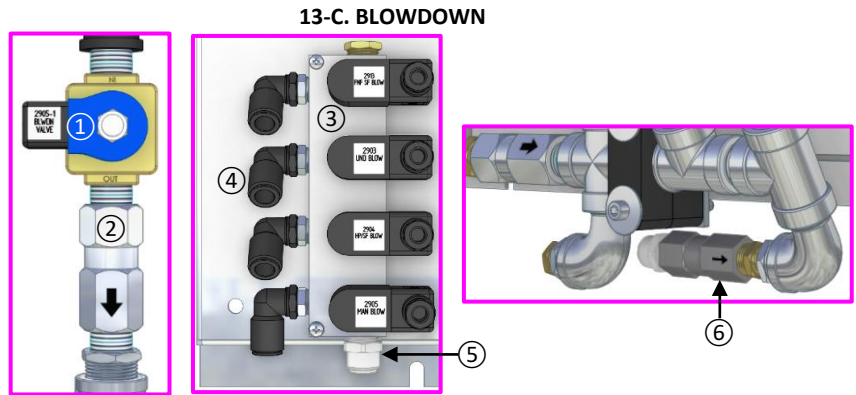


13-A. MEDIUM PRESSURE UNDERCARRIAGE		
1	61945	Valve, Piston, DEMA, 3/4"
2	67012-MHB	Hose Barb, 3/4" H x 3/4" MNPT

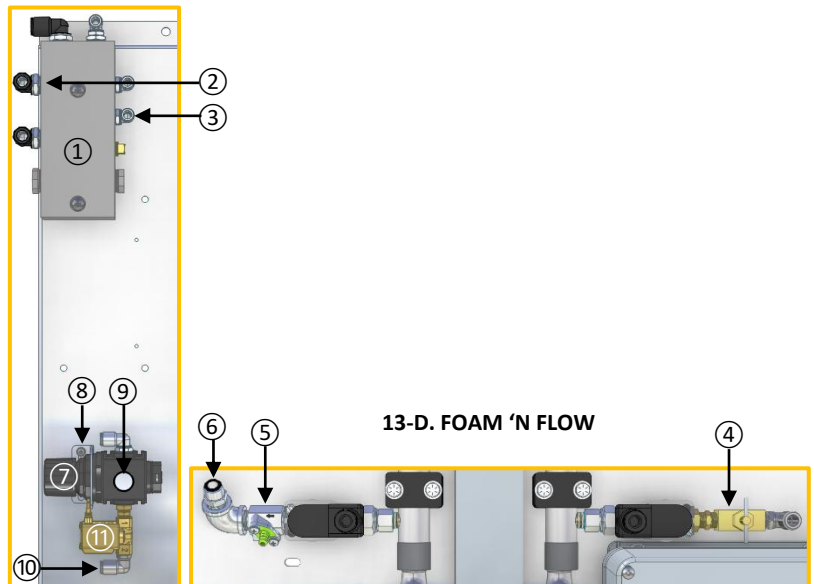


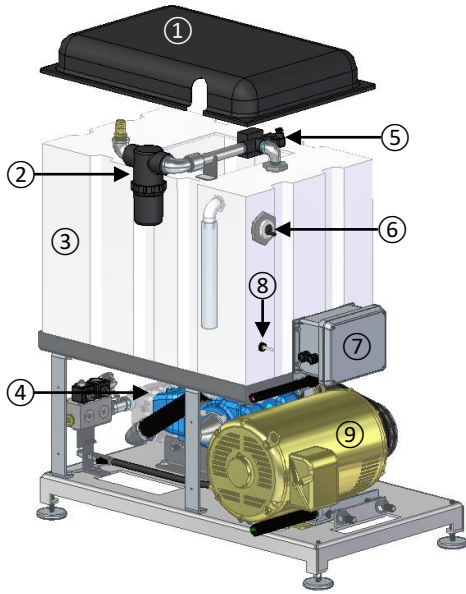
13-B. BIG SHOT		
1	46100001	Valve, NC, 1/4" NPT, 24VAC
2	23237-PB	Fitting, Swvl., 3/8" T x 1/4" MPT
3	23239-PB	Fitting, Swvl., 3/8" T x 3/8" NPT
4	62377-X	Injector, XFO Ring, Green, .098 (NP)
43300009		Injector, DEMA, Green, .098

13-C. BLOWDOWN		
1	46100008	Valve, NC, 24VAC, 3/4" NPT, BR
2	62030-F	Valve, Check, 3/4"
3	61914	Valve Bank, 4 port
4	23243-PB	Fitting, Elbow, 1/2" T x 1/4" NPT
5	23242-PB	Fitting, Tube, 1/2" T x 1/2" NPT
6	62031	Valve Check 1/2 FM x FM 3200

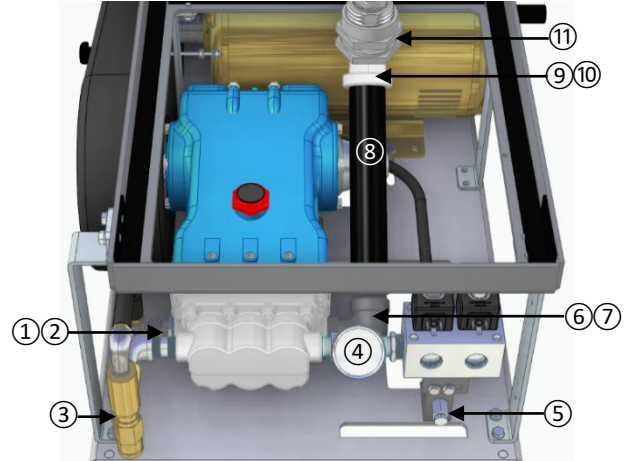


13-D. FOAM 'N FLOW		
1	21500003	Manifold, Mixing, PVC
2	23245-PB	Fitting, Elbow, 1/2" T x 1/2" NPT
3	23239-PB	Fitting, Swvl., 3/8" T x 3/8" NPT
4	62052	Valve, Needle, 1/4"
5	43300009	Injector, DEMA, Green, .098
6	22927-PB	Fitting, 3/8" T x 3/8" NPT
7	25050	Regulator, Air, 3/8"
8	25200	Bracket, Air Regulator
9	23920	Gauge, 0-160 psi
10	23237-PB	Fitting, Swvl., 3/8" T x 1/4" NPT
11	46100001	Valve, NC, 1/4" NPT, 24VAC

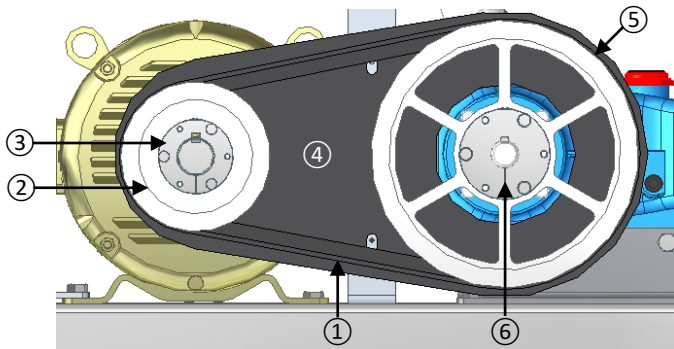




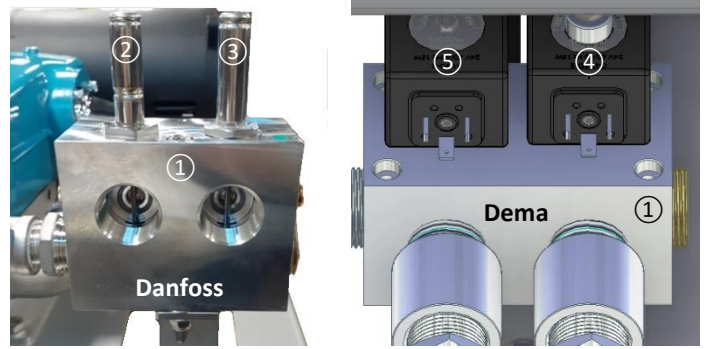
14-A. HIGH PRESSURE STAND		
1	M538919	Cover, Tank, Black
2	42230001	Filter, Water, 1"
3	M348895	Tank, Poly 20" x 30-1/2" x 23"
4	61605	Pump, CAT 2530
5	61941	Valve, 3/4" NPT, Plastic
6	91993	Sensor, Main Tank High Level P&F
7	WW9225-KIT	Enclosure Kit, HP Pump Assy.
8	29908	Float Switch, 1/4"
9	36930	Motor, 15HP 208/480/380-415V
41600001		Pipe, PVC, 1" (NP)



14-B. HIGH PRESSURE PUMP		
1	66609-S	Bushing, 1-1/4" x 1" SST
2	66602-S	Bushing, 1" x 1/2" SST
3	46130001	Valve, Unloader Greaseable HP
4	24000	Gauge, 0-2000 psi
5	61605-D	Kit, Drain, CAT 2530
6	66385-4S	Elbow, Street 1-1/4" SST
7	67029-MHN	Hose Barb, 1-1/4" NPT x 1-1/2" H
8	59965	Hose, 1-1/2" OD x 10"
9	66386-4P	Elbow, Street 45° 1-1/2" nylon
10	67030-MHN	Hose Barb, 1-1/2" NPT x 1-1/2" H
11	66579-TT	Bulkhead fitting, 1-1/2"
42200001		Kit, Seal, Cat 2530 (1/pump) (NP)
42200002		Kit, Valve, Cat 2530 (2/pump) (NP)
43949		Oil, Cat (NP)



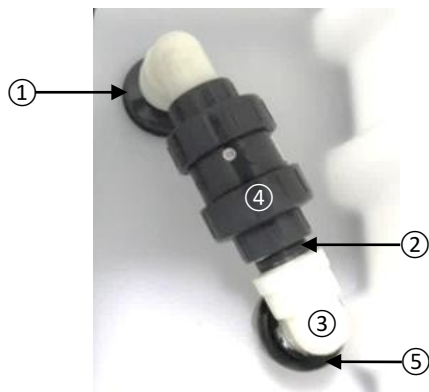
14-C. 15HP MOTOR & PUMP DRIVE		
1	9945-RBX	Belt, 51", 2V RBX51
2	10920-2SD	Sheave, 2B56 SDS
3	11417-SDS	Bushing, Sheave 1-5/8", SDS (Includes shaft key)
4	M358923	Belt Guard, Inner
5	10921-2SK	Sheave, 2B 11.0 SK
6	11407-SK	Bushing, Sheave, 30mm SK
M358924		Belt Guard, Outer (NP)
78495		Knob, 1/4" (NP)



14-D. HP PUMP DIVERTER VALVE		
1	61952	Valve, Sol. 1" NO/NC, Danfoss
	46100004	Valve, Sol. 1" NO/NC, DEMA
2	61953	Replace. Stem, NO, Danfoss
3	61954	Replace. Stem, NC, Danfoss
4	34200003	Coil, NC, 24V, DEMA
5	34200004	Coil, NO, 24V, DEMA
61939-C		Terminal Cord, 53" (NP)
46260004		Repair Kit, Stem, NO, DEMA (NP)
46260003		Repair Kit, Stem, NC, DEMA (NP)
61929		Coil, Danfoss (NP)
61952-KIT		Rebuild Kit (piston & spring), Danfoss (complete set needs 2) (NP)

15-A. RECLAIM (INSIDE TANK VIEW)

15-A. RECLAIM (INSIDE TANK VIEW)		
1	66579-TT	Bulkhead Fitting, 1-1/2"
2	65906-8P	Nipple Close, 1-1/2" PVC
3	66386-4N	Elbow, Street 1-1/2" Nylon
4	62043	Valve, Check 1-1/2" Union
5	64990	Strainer, Water 1-1/2"



15-B. RECLAIM

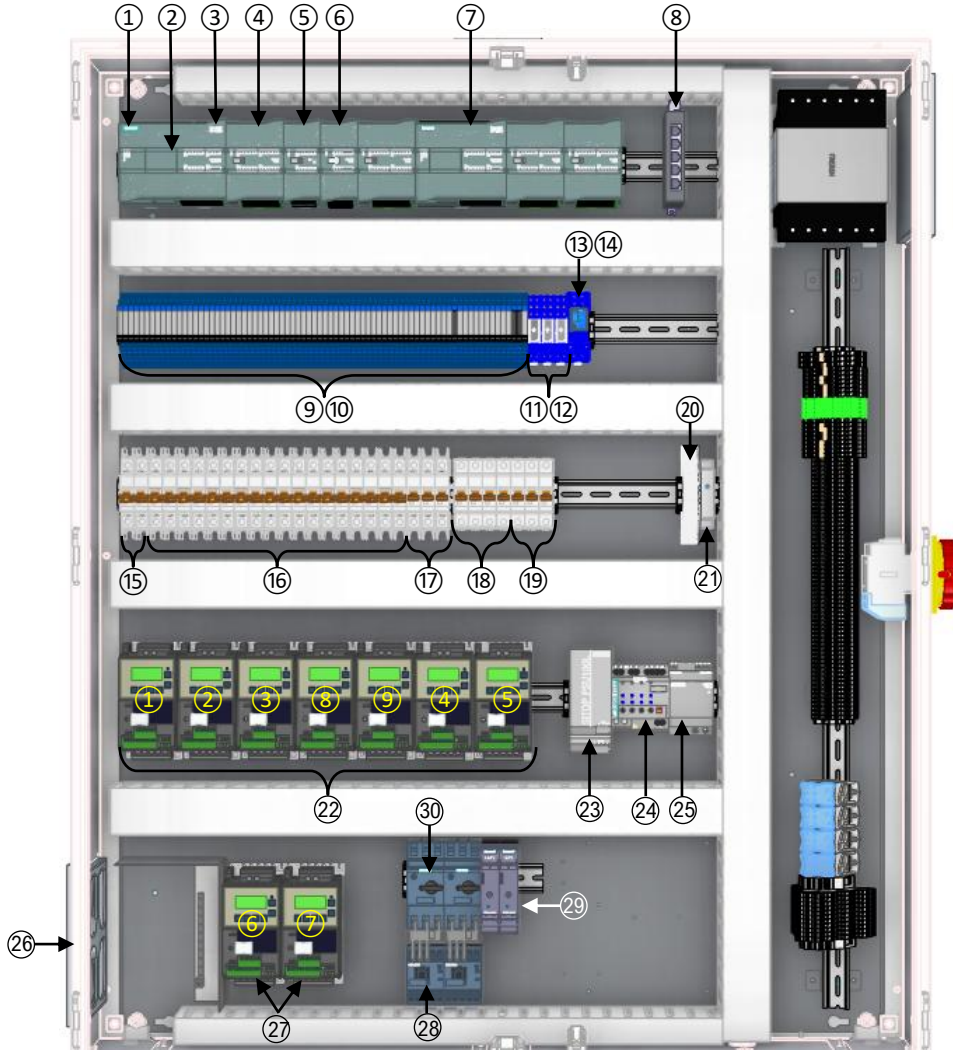
15-B. RECLAIM		
1	65904-K4S	Nipple, 1" x 5" SST
2	66385-4S	Tee, Pipe 1-1/4" SST
3	66609-S	Bushing, 1-1/4" x 1" SST
4	62496	Valve, Sol. 1" NC 24VAC
5	62041	Valve, Check 1" Union
6	67028-MHB	Hose Barb, 1-1/2"H x 1" BR



15-C. UCC

15-C. UCC		
<i>NOTE: Specify PLC and Washview software version</i>		
1	3682	HMI, Touch Panel 5.7" (complete)
	3682-B	HMI, Back Module, No Screen
2	3682-F	HMI, Face (Front screen replace)
3	30007	Button, System Stop
4	32110001	Disconnect, Switch, 600V, 100A, 3P
5	32640002	Key, UCC, Universal
6	33290001	Flash Drive, USB 3.0, 16G
30093-BASE		Base, System Stop (NP)
30093		Contact, NC System Stop (NP)





16-A. UCC (INTERNAL COMPONENTS)

***NOTE: Identification of the VFD and its operation needs to be determined when ordering. Refer to drive numbers 1 – 9 when ordering the 31400001 or 31410001, VFD for proper programming.**

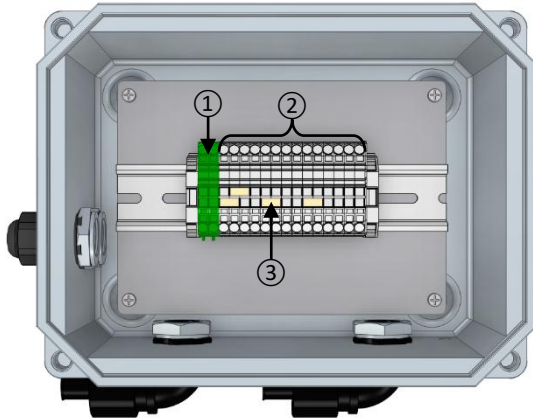
1	3705	PLC, Siem. CPU 1215	16	31650001	Cir. Brkr. 10A 2P (9 total, VFDs)
	33020001	PLC,CPU-1215,SIMATIC-S7-1200F		17	31590005
2	3707	Board, Siem., Com.	18	31590006	Cir. Brkr. 6A 1P
3	3750	Card, Memory, 4MB Simatic	19	31580001	Cir. Brkr. 4A 1P
4	3720	I /O Module SM1223	20	34160001	Terminal, 32 Conn.
5	3725	Card, Siem. Output SM1222	21	31915	Thermostat, Profile UCC
6	3730	Card, Siem. Analog SM 1231	22*	31400001	Drive, VFD 1/2HP
7	3710	PLC, Siem. CPU 1214	23	37450	Power Supply, 24VDC
	33270004	Router, Ewon, Cozy+ (NP)	24	32050001	Module, Circuit Prot. 4 channel
8	33190002	Eth. Switch 5-port	25	37455	Power Supply, 12VDC
9	10040-FI	Relay & Socket, 24VDC Finder	26	38690	Cooling Fan, 120VAC
10	10041-FI	Relay & Socket, 24VDC Solid State		32640001	Fan, Cooling, 230VAC, 1PH, Rittal
11	10042-FI	Relay, 24VDC 8 Pin (Cube)	27*	31410001	Drive, 1HP (Replaces 3/4 & 1HP)
12	10043-FI	Relay Base, 8 Pin		37628	Plate, Mounting VFD (required for replacing 3/4 & 1HP VFD)
13	30928	Relay, System Stop (Cube)	28	36440	Cir. Brkr. 9A-12.5A
14	30929	Relay Base, System Stop	29	31460001	Motor Starter, Sol. State
15	31640001	Cir. Brkr. 4A 2P	30	31200001	Contactor, 12A 24VAC

2026 PICTORIAL PARTS BOOK

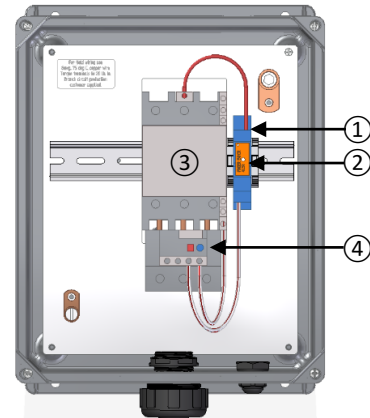
PROFILE

XP
PROFILE

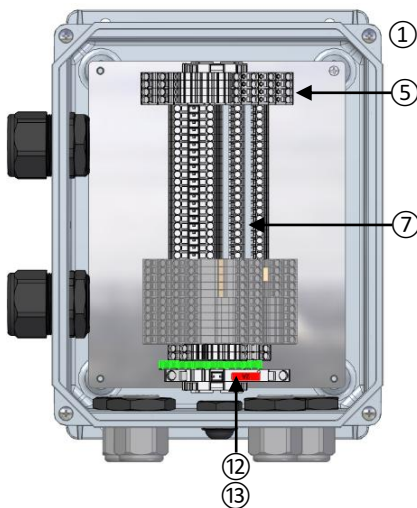
APEX
PROFILE



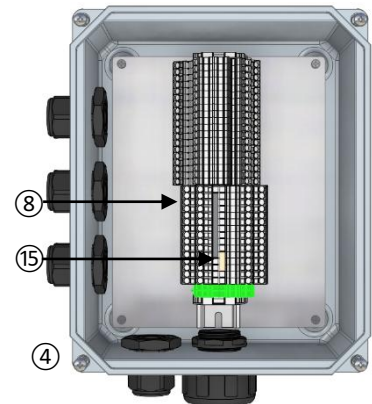
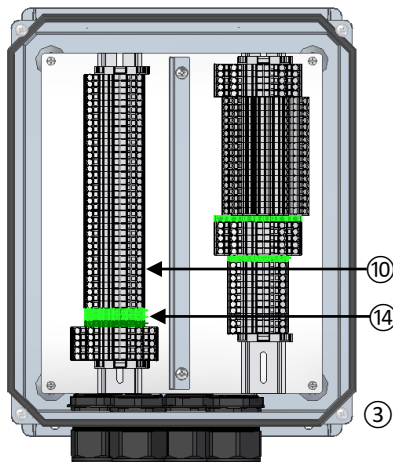
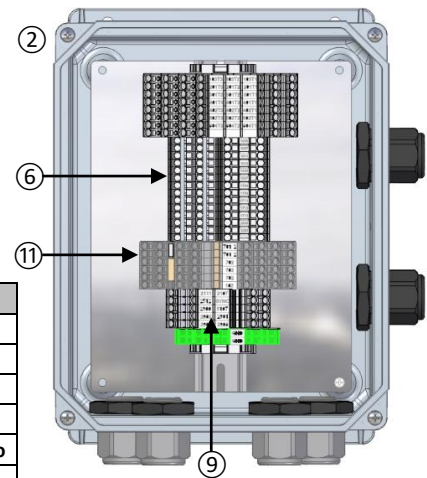
17-A. HIGH PRESSURE PUMP STATION BOX		
1	10009-WG	Term. Block 2P Ground
2	10007-WG	Term. Block 2P
3	10015-WG	Jumper, 2P Wago
WW9225-KIT		Enclosure Kit, Profile HP Pump



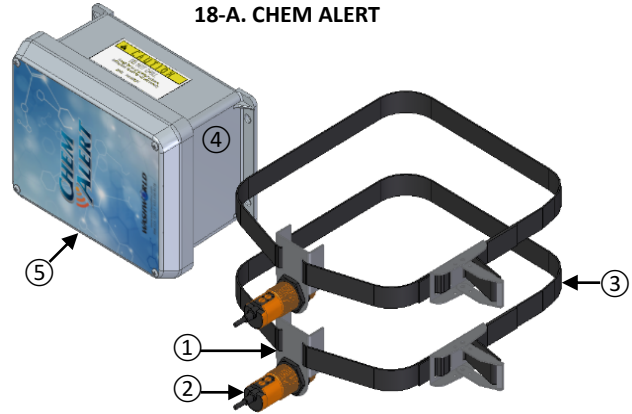
17-B. 15 HP PUMP MOTOR		
1	30995	Base, Relay
2	30907	Relay, 24VAC
3	29095-24	Contactora, 50A 24VAC Coil
4	29405	Overload, 37-50A
WW20036-460		Enclosure Assy., 15HP motor starter



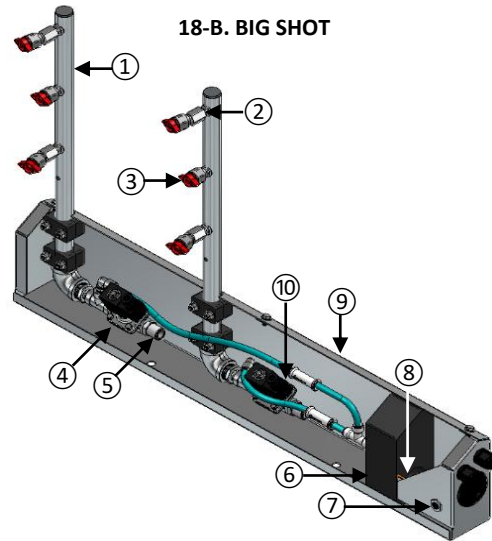
17-C. ENCLOSURE COMPONENTS		
1	30010009	Carriage Enclosure Assembly, LS
2	30010010	Carriage Enclosure Assembly, RS
3	30010007	Bay Enclosure Assembly
4	WW9224-Kit	LP Panel Enclosure Assembly
5	10027-WG	Terminal, Quad Deck Motor Wago
6	10010-WG	Terminal Block, 3W
7	10017-WG	Jumper Strip, (for 10010-WG terminals)
8	10008-WG	Terminal Block, 4P
9	34160003	Terminal, Dbl-Deck, 2-Pole
10	10007-WG	Terminal Block, 2P
11	34160004	Terminal, Dbl-Deck, 4-Pole
12	10028-WG	Terminal, Fuse Holder
13	35950-2	Fuse, 2A ATO-2
14	10009-WG	Terminal Block, 2P, Ground
15	10015-WG	Jumper, 2P Wago



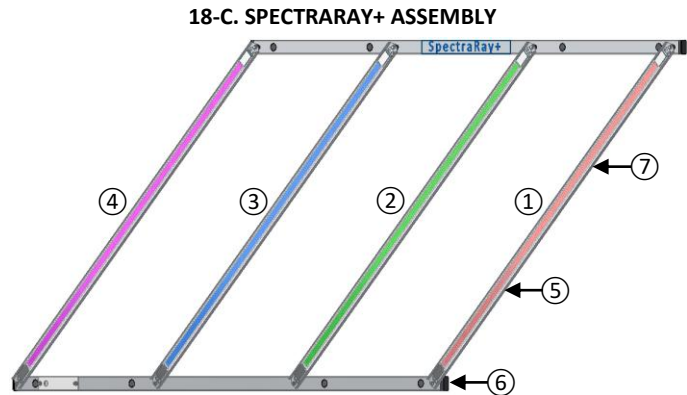
18-A. CHEM ALERT		
1	21040002	Sensor Bracket
2	91992	Main Tank Fill Sensor
3	65020001	Buckle Cinch Strap, 1"
4	30110001	Enclosure Assembly, 6 x 8"
5	80130004	Chem Alert Decal
	3720	I/O Module (NP)
	43975	Silicone Lubricant, 1cc (NP)



18-B. BIG SHOT		
1	21500007	Manifold, 3-Hole, 3/4"
2	41400003	Adapter, 1/4NPT, 10-Deg, SS
3	63540	Nozzle, Full Jet 1/4"
4	61915	Valve, 3/8", DEMA
5	41150003	Fitting, STR, 1/2T X 3/8NPT
6	22050005	Foam Insulator
7	92075-L	Transmitter, Telco, 15m (NP)
	92076-L	Receiver, Telco, 15m
8	M388871-A	Bracket w/ Heater Strip
9	21080039	Housing, Body, Left
	21080040	Housing, Body, Right
10	34440003	Conn, DIN ,15m
	21080041	Housing, Cover, Left (NP)
	21080042	Housing, Cover, Right (NP)
	80130002	Decal, Housing, Big-Shot (NP)

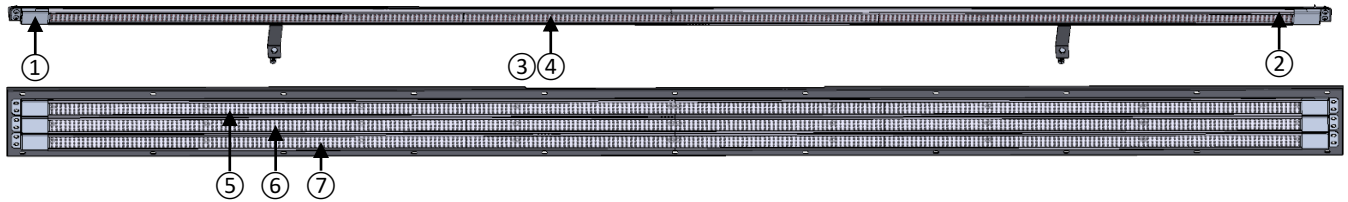
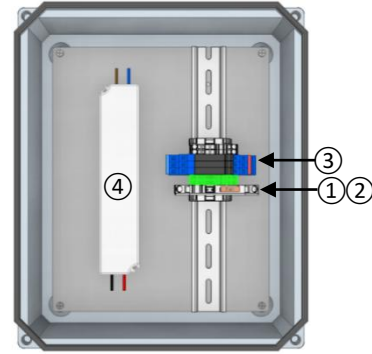


18-C. SPECTRARAY+ ASSEMBLY		
1	34630007	Quad LED Strip, Red
2	34630008	Quad LED Strip, Green
3	34630009	Quad LED Strip, Blue
4	34630010	Quad LED Strip, Magenta
5	21080043	Lens, Clear Acrylic
6	21080014	End Cap
7	21080044	Mount, LED Tray
	50380001	OPT, WALL-MNT, CMPLT
	50380002	OBDFSF-MNT-UPGRADE
	50380003	PED-MNT-UPGRADE



19-A. SPECTRARAY ENCLOSURE

19-A. SPECTRARAY ENCLOSURE		
1	31770001	Fuse, 7.5 ATO
2	10028-WG	Terminal, Fuse Holder
3	10041-FI	Relay & Socket 24VDC Solid State
4	32050002	Power, 24VDC IP67
	32050003	Power, 24VDC, 151W,47-63HZ (Int)
	30010005	Power Supply Enclosure Assembly



19-B. COLOR LED ASSEMBLY		
1	21080014	End Cap (2 per strip)
2	21080013	Mount, Channel (2 per strip)
3	21080012	Lens, Clear Acrylic (3 per strip)
Included with FNF or SpectraRay		
4	34630001	LED Strip, Red
Included with SpectraRay		
5	34650002	LED Strip, Green
6	34650003	LED Strip, Blue
7	34650004	LED Strip, Magenta

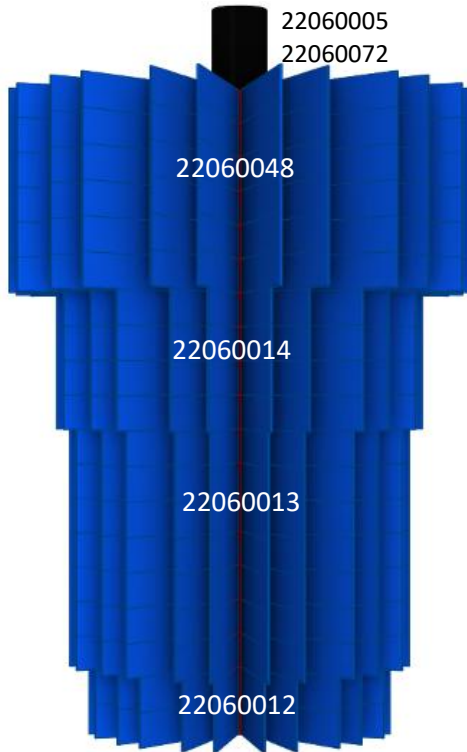


19-C. G&G LIGHTING KITS	
50380004	Bay-Lighting, RGBW, 8', 120V, 8-Count
50380005	Bay-Lighting, RGBW, 8', 120V, 6-Count



20-A. TOP BRUSH		
NOTE: Top Brush for Profile and Apex only		
Qty	Part #	Description
1	22060008	Shaft, Top Brush, Alum
2	22060006	SPACER,FOAM,BRUSH,3"X7",BLK
4	22060072	SPACER,FOAM,BRUSH,4"X7",BLK
22	22060002	Hub, Brush, 4"H, Plastic
276	22060003	Clip, Brush, Hub-Insert, Pla
264	22060012	Brush, Indv, 4mm, 4-1/2"x 36"
20010030		Brush, Top Assy, Blue, Apex

20-B. SIDE BRUSH



20-B. SIDE BRUSH		
NOTE: Left and right brushes are identical and used across lineup		
Qty	Part #	Description
1	22060007	Shaft, Side Brush, Alum
19	22060002	Hub, Brush, 4"H, Plastic
229	22060003	Clip, Brush, Hub-Insert, Pla
2	22060004	Plate, Rtner, Brush, STL
72	22060048	Brush, Ind, 114mm (4-1/2") x 1372mm (54")
24	22060012	Brush, Ind, 114mm (4-1/2") x 914mm (36")
79	22060013	Brush, Ind, 114mm (4-1/2") x 1016mm (40")
54	22060014	Brush, Ind, 114mm 4-1/2" x 1092mm (43")
20010031		Brush, Side Assy, Blue
2	22060005	SPACER,FOAM,BRUSH,2"X7",BLK
4	22060072	SPACER,FOAM,BRUSH,4"X7",BLK

2026 PICTORIAL PARTS BOOK

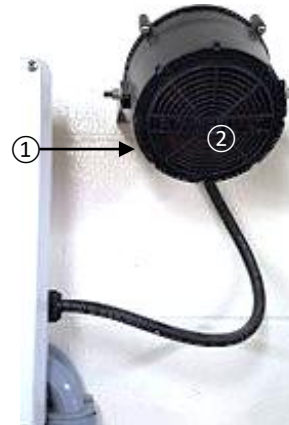
PROFILE

XP
PROFILE

APEX
PROFILE



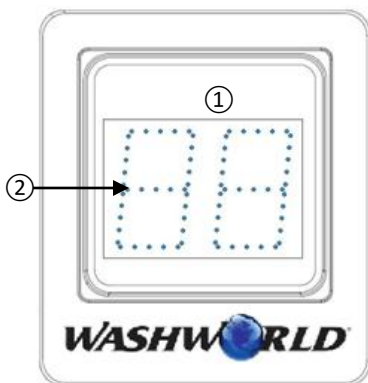
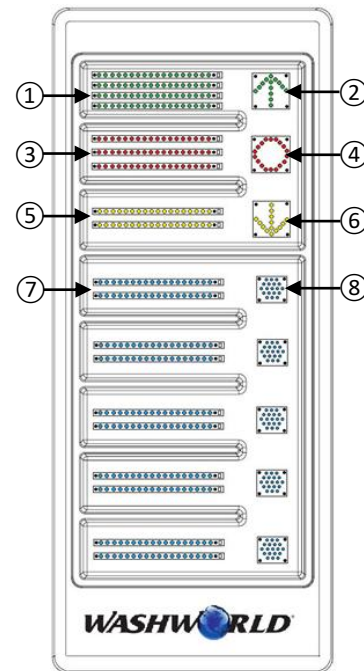
21-A. REMOTE & RECEIVER		
1	92016	Receiver, Lodar 10 function
2	92015	Transmitter, Lodar 10 Function



21-B. SPEAKER		
1	M519373-A	Bracket, Speaker Mount
2	33400001	Speaker, Alarm, 16 message
WW6620-B		Audio Prompt Funct. Assembly

21-C. 24VAC INTERIOR LED INSTRUCTIONAL SIGN

21-C. 24VAC INTERIOR LED INSTRUCTIONAL SIGN		
1	83894	LED Strip, Green
2	83880	LED Arrow, Green
3	83890	LED Strip, Red
4	83886	LED Stop, Red
5	83892	LED Strip, Amber
6	83882	LED Arrow, Amber
7	83896	LED Strip, Blue
8	83888	LED Globe, Blue
84914		Sign Face, 8-panel, TCF, LED (NP)
84915		Sign Face, 8-panel, Plain, LED (NP)
84917		Reseal Face Kit (NP) (Entails screws, instruction, gasket material & caulk)
WW20008-LED		Sign In-Bay 8-panel LED

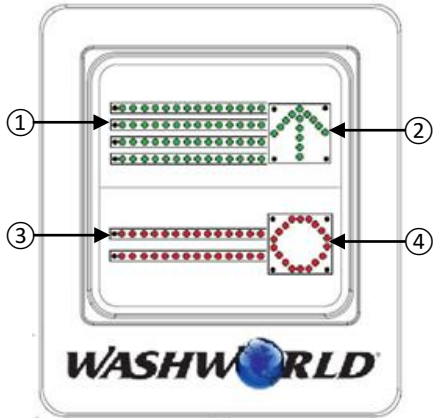


21-D. 24VAC LED DRYER COUNTDOWN TIMER		
1	84913	Sign Face, Countdown Timer
2	83878	LED Countdown Timer Board, Blue
WW20012-LED		Countdown Timer w/Stand LED



21-E. 12VDC ILLUMINATED CLEARANCE SIGN		
1	WW060-P	Sign, Clearance, 7'6", Illum, 12VDC
WW20000-PRSTD		Sign, Clearance, w/Stand, 7' 6" (NP)
M498926		Stand, Clearance Sign, 7' 6" (NP)



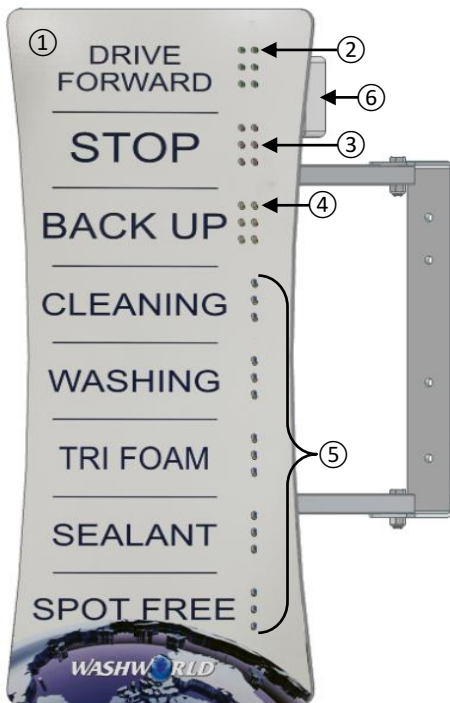


22-A. 24VAC LED DRIVE FORWARD/WAIT SIGN		
1	83903	LED Strip, Green 14 Light
2	83880	LED Arrow, Green
3	83904	LED Strip, Red 14 Light
4	83886	LED Stop, Red
	84916	Sign Face, 2-panel LED (NP)
	WW20030-LED	Sign, Drv Fwd/ Wait LED



22-B. 12VDC LED DRIVE FORWARD/STOP SIGN		
1	82702	Decal, Wait/Go, STD
	82703	Decal, Wait/Go/Wash Progress (NP)
	82872	Decal, In-Bay, 3-panel, (NP)
2	33904	Enclosure, 3" x 3" x 2-1/2"
3	83894-3	LED Strip, 3 Light, Green
4	83890-3	LED Strip, 3 Light, Red
	34600001	LED, Strip, White, 12VDC (WP only)
	21080096	Acrylic, Lens, Blue (WP only)
	WW9230	Sign, Wait/Go, 12VDC, LED
	WW9231	Sign, Wait/Go/Wash Progress, 12VDC, LED

22-C. 12VDC INTERIOR LED INSTRUCTIONAL SIGN



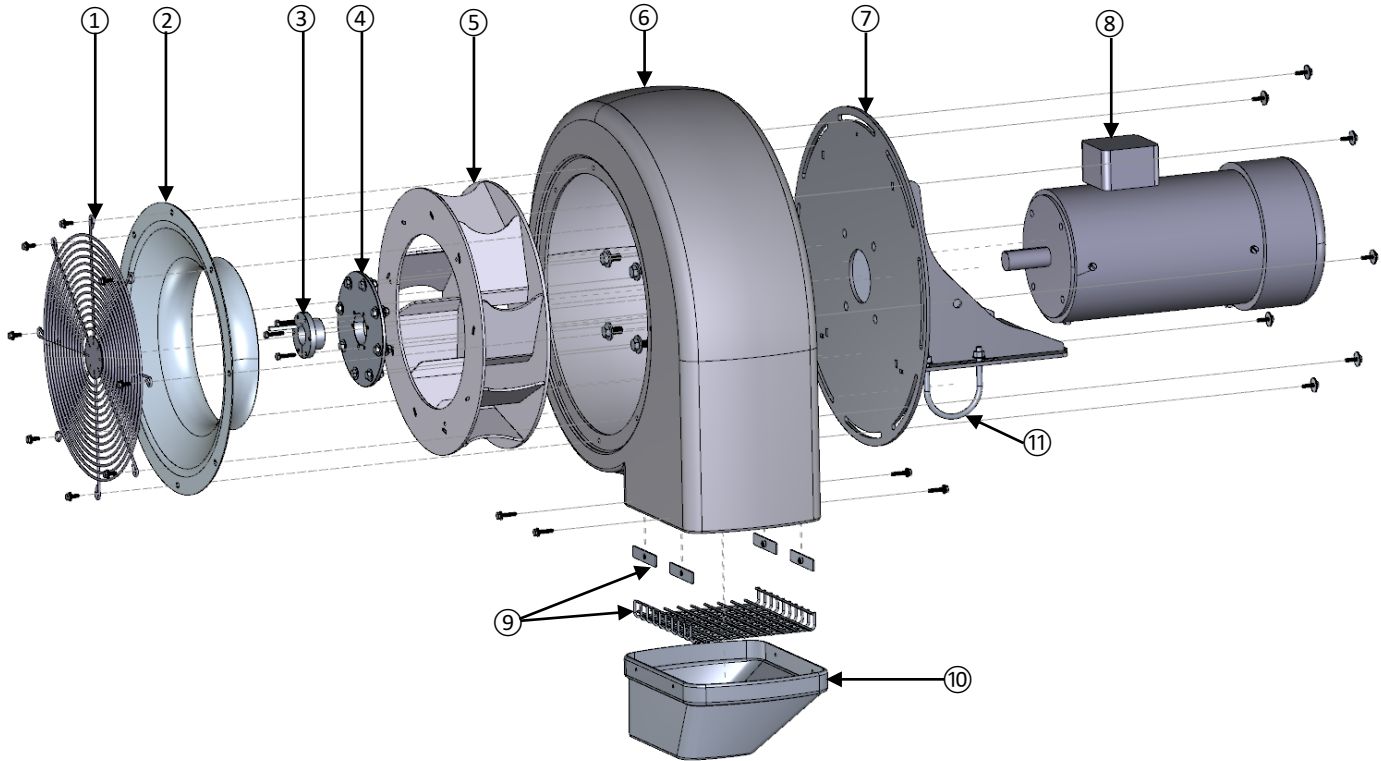
22-C. 12VDC INTERIOR LED INSTRUCTIONAL SIGN		
1	82700	Decal, In-Bay 8 Panel STD (NP)
	82701	Decal, In-Bay 8 Panel w/TCF
2	83894-3	LED Strip, 3 Light, Green
3	83890-3	LED Strip, 3 Light, Red
4	83892-3	LED Strip, 3 Light, Amber
5	83896-3	LED Strip, 3 Light Blue
6	33904	Enclosure, 3" x 3" x 2.6"
	WW9237	Sign, 12VDC Inbay 8 Panel w/TCF

2026 PICTORIAL PARTS BOOK

PROFILE

LXP
PROFILE

APEX
PROFILE

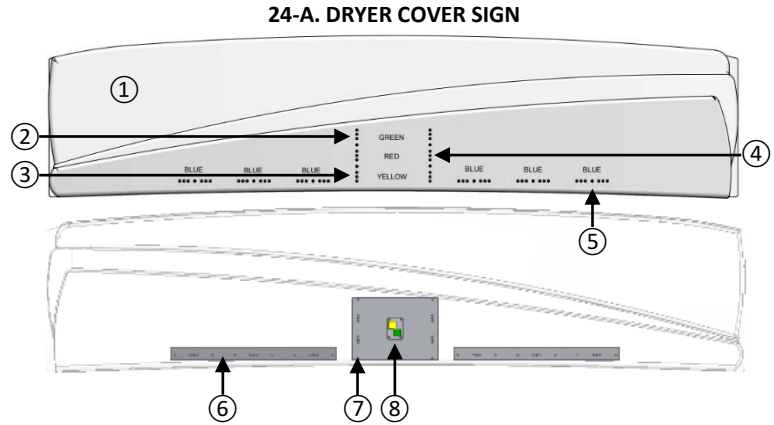


23-A. BLOWER ASSEMBLY

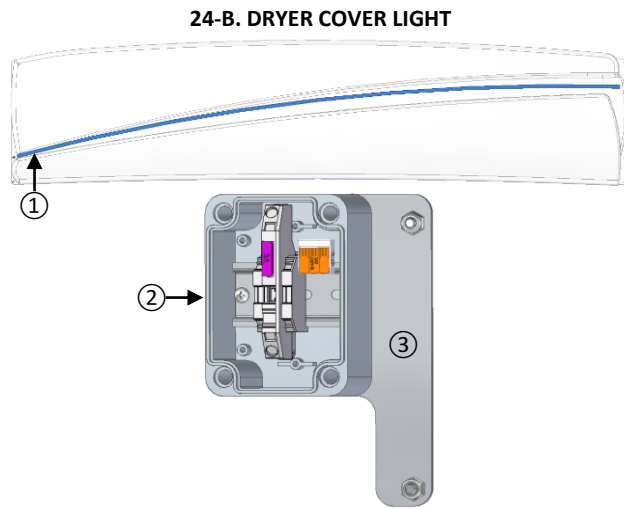
1	22040022	Screen, Dryer-Inl, Rnd, SS	8	36910	Motor 10hp TEFC Dryer
2	22040023	Inlet-Cone, Dryer, Rnd		36911	Motor 15hp TEFC Dryer
3	22040024	Bushing, Prdcr-Hub, 1x3/8", SS	9	31060001	Motor, 7.5HP, 208/230, 3PH, 60hz
4	22040025	Hub,Prdcr-Impir, 8-Hole, SS		22040034	Screen, Prdcr-Outlet, Sq, SS, hardware
5	22040026	Impeller-Wheel, Dryer, 7.5HP, RH	10	22040035	Nozzle, Dry-Outlet, Std, Cmpst
	22040027	Impeller-Wheel, Dryer, 7.5HP, LH		22040037	Nozzle, Dry-Outlet, Dual, Cmpst
	22040028	Impeller-Wheel, Dryer, 10HP, RH	22040021	Nozzle-Extension, Dry-Outlet, 8"Lg,Cmpst	
	22040029	Impeller-Wheel, Dryer, 10HP, LH	11	77098	U-Bolt, 3" X 5" Square
	22040030	Impeller-Wheel, Prdcr,15HP, RH		77099	U-Bolt, 5" X 3" Square
6	22040031	Impeller-Wheel, Prdcr, 15HP, LH	22040036	Nozzle, Prdcr-Outlet, Rnd, Cmpst (NP)	
	22040032	Housing, Prdcr, RH, Cmpst	22040038	Silencer, Prdcr, Cone, Fgl (NP)	
7	22040033	Housing, Prdcr, LH, Cmpst			
	22040019	Backplate, Str, Producer-Mnt, Slt			
	22040041	Backplate, Swivel, Producer-Mnt, Slt			



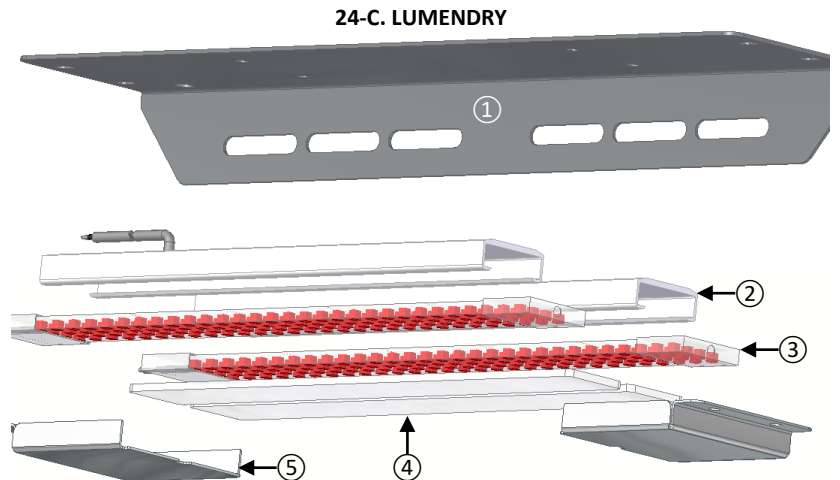
24-A. DRYER COVER SIGN		
1	21280008	Cover, Dryer, FR, w/LED, ABS
2	83894-3	LED strip, 3 Light Green 12VDC
3	83892-3	LED Strip, 3 Light, Amber 12VDC
4	83890-3	LED Strip, 3 Light, Red 12VDC
5	83896-3	LED Strip, 3 Light, Blue 12VDC
6	21000050	Bracket, Mnt, Dryer-LED, SS
7	21000051	Bracket, Mnt, Dryer-LED, SS
8	33904	Enclosure, 3 x 3 x 2.6, Poly
60100032		Kit, Hardware, Dryer Cover (NP)
80280001		Decal, Dryer w/ LED sign (NP)



24-B. DRYER COVER LIGHT		
1	83925-5	LED Strip, Blue 5m
2	50660007	Assy, Encl, Dryer-Cvr-Lt
3	21000044	Bracket, Mnt, Cvr-Encl, SS



24-C. LUMENDRY		
1	21000045	Bracket, MNT, Dual-LED, SS
2	21080062	Mount, LED-Tray, PVC, White
3	34630006	LED Strip, 28mm, Red
4	21080063	Cover, Lens, Clear Acrylic
5	21080061	Cap, End, Dual-LED, RTNR, SS

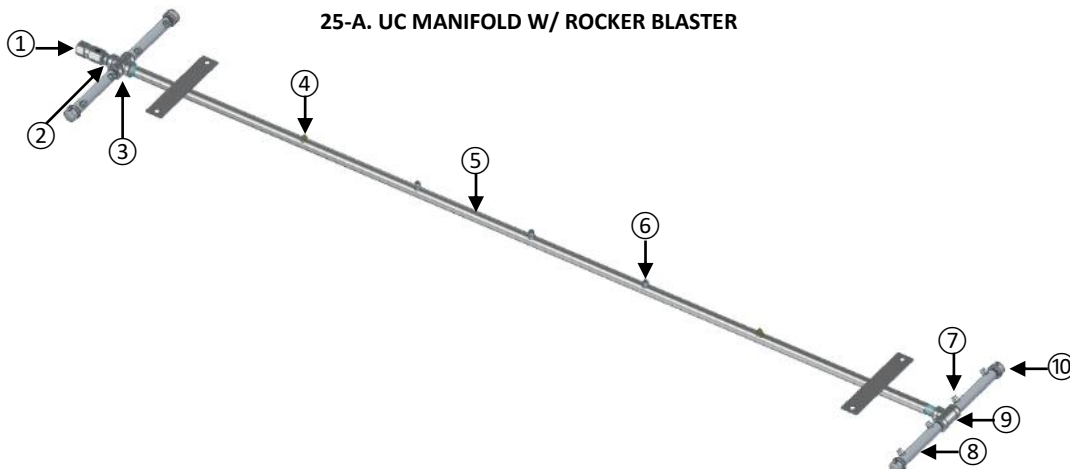


2026 PICTORIAL PARTS BOOK

PROFILE

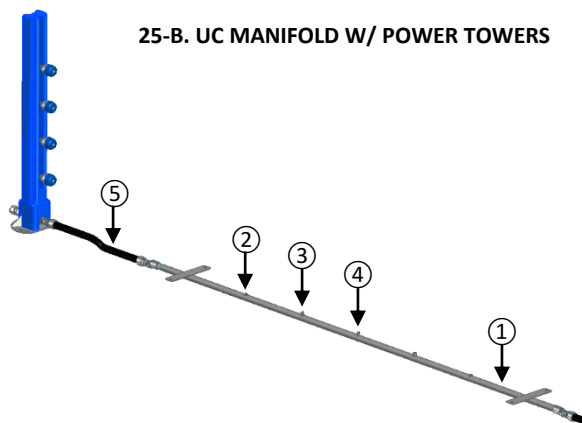
LXP
PROFILE

APEX
PROFILE



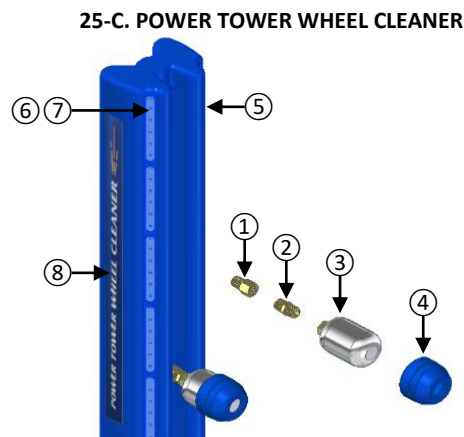
25-A. UC MANIFOLD W/ ROCKER BLASTER

25-A. UC MANIFOLD W/ ROCKER BLASTER		
1	62030-F	Valve, Check, 3/4"
2	65903-B4S	3/4" x 2" SS Nipple
3	41150002	3/4" SS Cross
4	66541-B	1/4" Brass Plug
5	M358927	Manifold, Center, 5-Hole
6	63525-4M	8003 Nozzles
7	62977-4M	1508 Nozzle
8	21500009	Manifold, 2 Hole, 3/4" pipe
9	66009-4S	3/4" SS Tee
10	66568-4S	3/4" SS Cap
50720001		U/C Rocker Blaster Nozzle Kit (NP)



25-B. UC MANIFOLD W/ POWER TOWERS

25-B. UC MANIFOLD W/ POWER TOWERS		
1	M358927	Manifold, Center, 5-Hole
2	66541-B	1/4" Brass Plug
3	63529-4M	8010 Nozzle
4	63060-4M	4020 Nozzle
5	41550009	Hose, Assy, 3/4", 2000PSI, SWVL
50430007		Retrofit, 4-nzl, Non-illuminated
50430008		Retrofit, 4-nzl, Illuminated



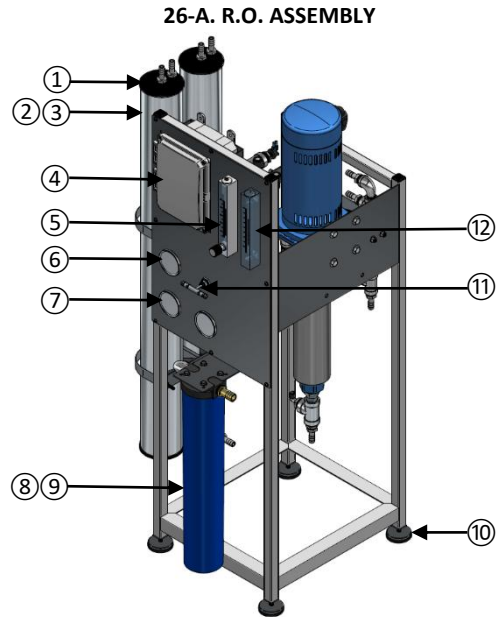
25-C. POWER TOWER WHEEL CLEANER

25-C. POWER TOWER WHEEL CLEANER		
1	41400004	Adapter, 1/4"
2	65941-4B	Hex, Nipple, 1/4", BR
3	63527	Nozzle, Turbo, 4 GPM
4	63535	Nozzle Protector, Blastec, Blue
5	21280015	Cover, Blue, Plastic
	21280016	Cover, w/LED-Slots, Blue, Plastic
6	83925-35	Blue LED Strip, 35-3/8"
7	M542050-35	LED Channel, 34-3/4"
8	80130003	Decal, Power Tower
21180002		Weldment, 4-Hole, w/Cross (NP)



26-A. R.O. ASSEMBLY

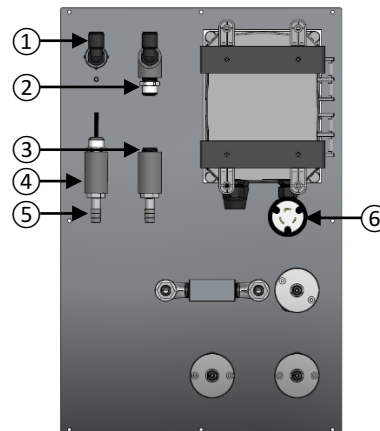
26-A. R.O. ASSEMBLY		
1	96426	RO Membrane Cap 4"
	96347	O-Ring Filter Housing
2	96300	Membrane, 4" x 40", ULP
3	96301	Membrane Housing, SST
	22060071	Membrane Housing, Fiberglass
4	33300002	Board, Controller & TDS meter
	22060043	Terminal-Board,ROC2,VEL-WTR
5	46070003	Valve, Flow Meter, 0.5-5 GPM, adjust.
6	23914	Pressure Gauge, 0-100psi
7	23936	Pressure Gauge, 0-300psi
8	96335	Filter, 5 micron, cartridge, 20"
9	96330	Filter Housing, 3/4" x 20"
10	13941-S	Leveling Pad SST 3/8"
11	46070002	Valve, Needle, 1/2" SST
12	46070001	Valve, Flow Meter, 0.5-5 GPM
	41530002	Hose, Polybraided, 3/4", blue (NP)



26-B. FRONT PANEL (BACKSIDE)

26-B. FRONT PANEL (BACKSIDE)		
1	23245-PB	Tube Fit Elbow, 1/2T x 1/2NPT
2	23242-PB	Tube Fitting, 1/2T x 1/2NPT str
3	66542-S	Plug, Pipe, 1/2", SS
4	66004-P	Tee Pipe 1/2" PVC
5	67006-MS	Hose Barb, 1/2"H x 1/2"NPT
6	4620001	Valve, Switch, LP
30020025		Wire, Power Cord (NP)

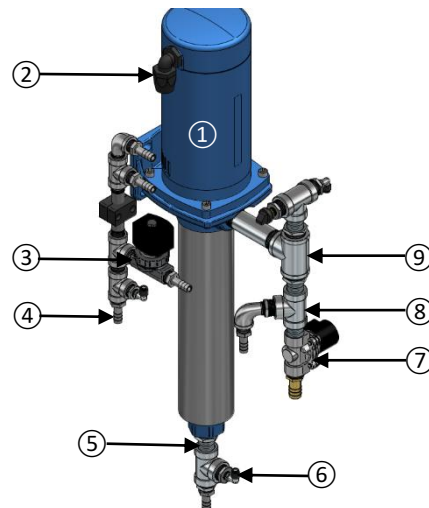
26-B. FRONT PANEL (BACKSIDE)



26-C. PRESSURIZATION PUMP ASSEMBLY

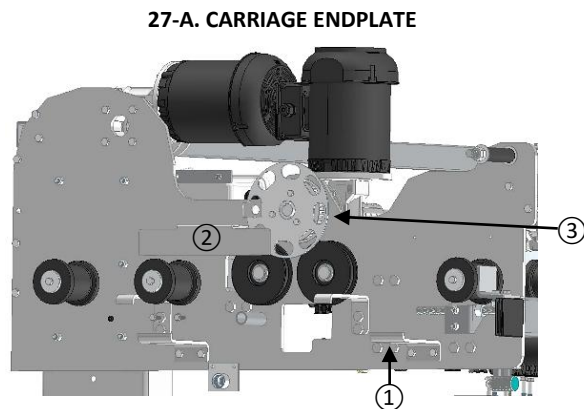
26-C. PRESSURIZATION PUMP ASSEMBLY		
1	61189	Pump, 1HP, 208/23V, 1PH (2400)
	42010011	Pump, 2HP, 208/230V, 1PH (4800/7200/9600)
2	34973	Conduit Connector, 1/2" adjust.
3	96320	Valve, Sol., 1/2", 220V
4	67006-MS	Hose Barb, 1/2"H x 1/2"NPT
5	65902-4S	Nipple Close, 1/2"SST
6	23225-PB	Fitting, Swvl, 1/4"T x 1/4"NPT
7	96321	Valve, Sol., 3/4", 220V
8	66009-4S	Tee Pipe, 3/4" SS
9	66014-4S	Tee Pipe, 1", SS

26-C. PRESSURIZATION PUMP ASSEMBLY



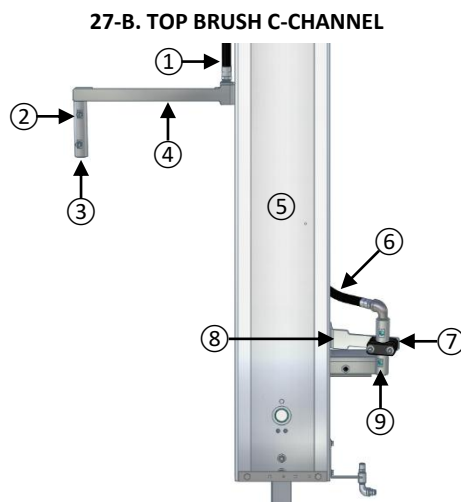


27-A. CARRIAGE ENDPLATE		
1	21040014	Bracket, Saf-Catch, Und-Rail
2	21080019	Flag, Crg, F/R, 11GA, SST
3	21080084	Encoder Flag
9969-K		Belt, 15mm x 396" (1258t) (NP)



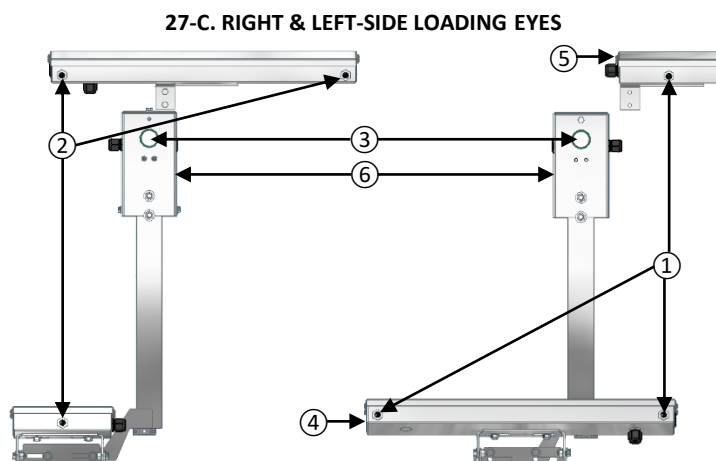
27-A. CARRIAGE ENDPLATE

27-B. TOP BRUSH C-CHANNEL		
1	41550013	Hose Assy., 1/2" x 87"
2	63300-4M	Nozzle, I-Meg, 1/4"
3	21500012	Manifold, 2-Hole, 1/2", 10°-RH
	21500013	Manifold, 2-Hole, 1/2", 10°-LH
4	21110002	Weldment, Spray-Manifold, LS
	21110003	Weldment, Spray-Manifold, RS
5	20010016	Set, C-Channel, LS, SST
	20010017	Set, C-Channel, RS, SST (NP)
6	42844	Hose Assy., 1/2" x 80"
	41550015	Hose Assy., 1/2" x 212"
7	65140005	Clamp, Pipe, 1-1/4"
8	21000048	Bracket, Mnt, Exit Man.
9	43000001	Nozzle, I-Meg, 1/4"
62196-24		Valve, 1/2", N.C. (NP)



27-B. TOP BRUSH C-CHANNEL

27-C. RIGHT & LEFT-SIDE LOADING EYES		
1	92075-L	Sensor, Transmitter
2	92076-L	Sensor, Receiver
3	91900-Side	P&F Sonar, Programmed, Side
4	21080005	Housing, Sensor
	23240003	Housing, Sensor, Cover
5	21080005	Housing, Sensor
	21080004	Housing, Sensor, Cover
6	23240011	Housing, Sonar, Cover
	23240003	Housing, Sonar, Cover, Ext. (NP)
	21210002	Housing, Sonar
34420001		Cord, Sensor, 5-Wire (NP)
33272		Cord, Sensor, 15m (NP)



27-C. RIGHT & LEFT-SIDE LOADING EYES



2026 PICTORIAL PARTS BOOK

PROFILE

LXR
PROFILE

APEX
PROFILE

28-A. COVER FLEX PASS

1	41550014	Hose Assy., 1/2" x 94", 1000PSI
2	41550013	Hose, 1/2"x 87", Pods
3	62031	Valve, Check, 1/2"

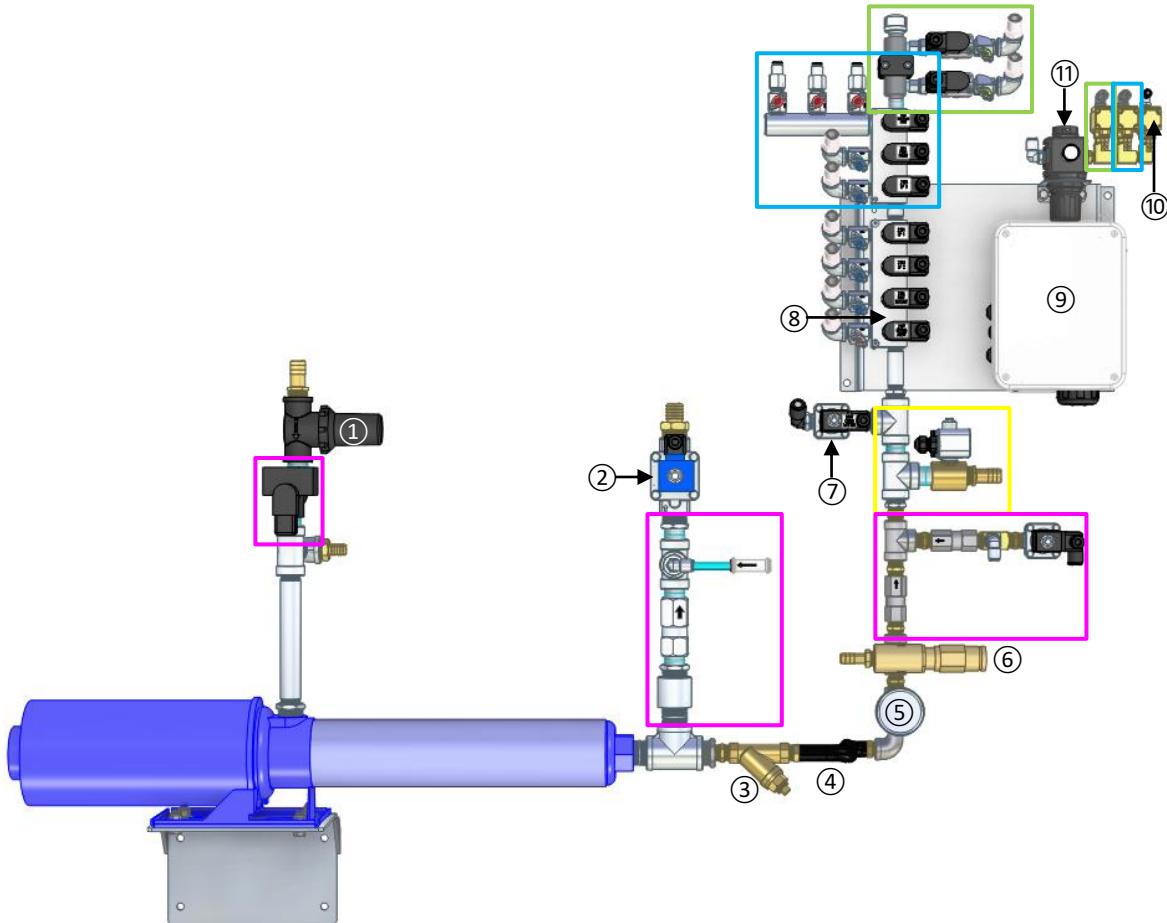


28-B. MACHINE COVERS, DECALS & LEDS

1	M540100	Cover, F/R Profile, ABS
2	80050001	Decal, Front



28-B. MACHINE COVERS, DECALS & LEDS



28-C. LXR LOW PRESSURE PUMP & PANEL

1	42230002	Filter, Water 3/4"	7	61940	Valve, NC, 1/2", 24VAC
2	62496	Valve Sol., 1" NC SST, 24VAC	8	61914	Valve Bank Assy. 4-port
3	2P808	1/2" 80 Mesh Y-Strainer		61912	Kit, Rebuild, Sol-Vlv-Bank
4	41550004	Hose Assy., 1/2" x 56"	9	30010008	Panel Enclosure Assembly
5	23936	Gauge, Pressure 0-300 psi	10	46100001	Valve, Sol, NC, 24VAC, 1/4" NPT
6	46130001	Valve, Reg, 3/4" NPT x 1/2" NPT	11	25050	Regulator, Air, 3/8"

Options

- ESD; see page 29
- Blowdown; see page 29
- Big Shot; see page 30
- Undercarriage Valve; see page 30



2026 PICTORIAL PARTS BOOK

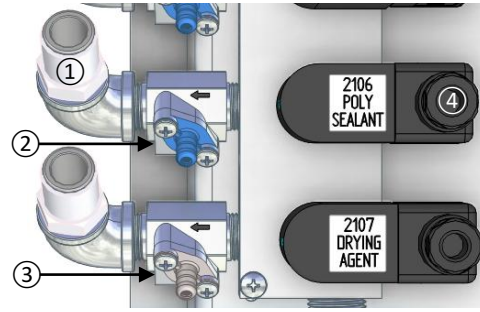
PROFILE

XP
PROFILE

APEX
PROFILE

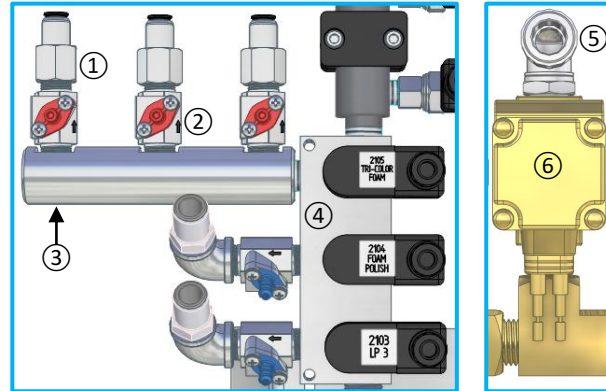
29-A. SOLUTION VALVE ASSEMBLY

29-A. SOLUTION VALVE ASSEMBLY		
1	41150003	Fitting, 1/2" T x 3/8" NPT
2	43300006	Injector, DEMA, Blue, .086
	62376-X	Injector, XFO Ring, Blue, .086 (NP)
3	43300005	Injector, DEMA, Grey, .083
	62375-X	Injector, XFO Ring, Grey, .083
4	61931-C	Terminal Cord, w/ Din, 39"



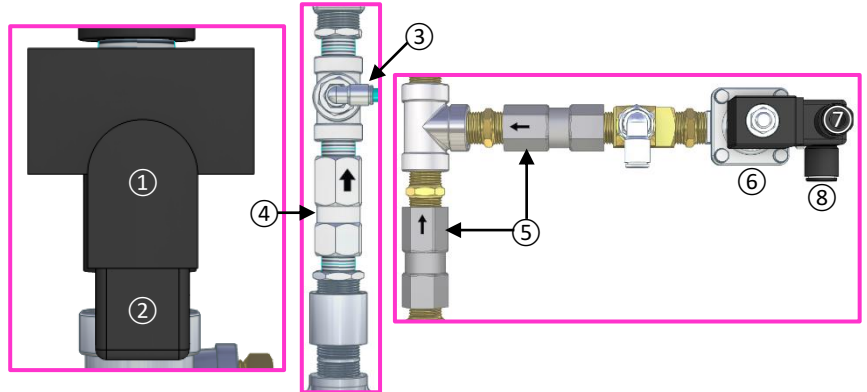
29-B. EXTENDED SOLUTION DELIVERY

29-B. EXTENDED SOLUTION DELIVERY		
1	22929-PB	Fitting, 3/8" T x 3/8" FNPT
2	43300004	Injector, DEMA, Red, .057
	62369-X	Injector, XFO Ring, Red, .057 (NP)
3	M358944	Manifold, 3 Hole
4	61913	Valve Bank, 3 port
5	23237-PB	Fitting, Swvl., 3/8" T x 1/4" MPT
6	46100001	Valve, NC, 1/4" NPT, 24VAC



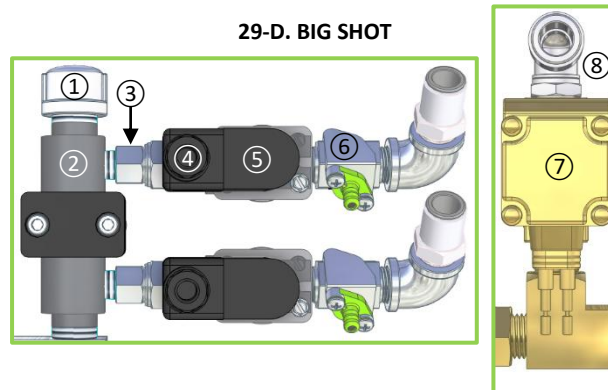
29-C. BLOWDOWN

29-C. BLOWDOWN		
1	46100008	Valve, Sol. 3/4" NPT
2	61931-R	Terminal Cord, w/ DIN, 63"
3	23239-PB	Fitting, Swvl., 3/8" T x 3/8" NPT
4	62030-F	Valve, Check, 3/4"
5	62031	Valve, Check, 1/2"
6	61940	Valve, DEMA, 1/2", NC, 24VAC
7	61931-C	Terminal Cord, w/ Din, 39"
8	23245-PB	Fitting, 1/2" NPT x 1/2" T, 90°

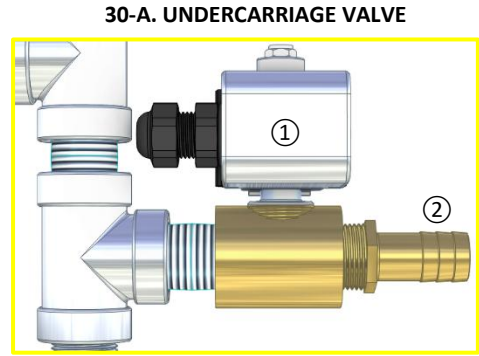


29-D. BIG SHOT

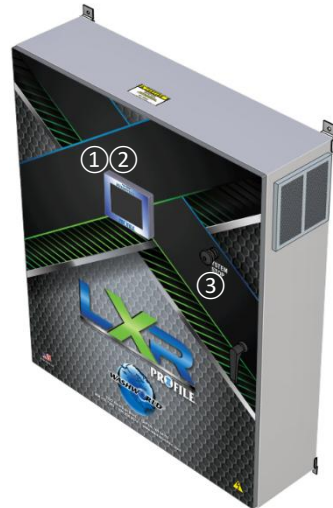
29-D. BIG SHOT		
1	41270001	Cap, Pipe, 1/2" FNPT
2	21500008	Manifold, 2 Hole, 1/2"
3	43442-S	Fitting, Hyd. Swivel, 3/8" x 1/4"
4	61931-C	Terminal Cord, w/ Din, 39"
5	61915	Valve, 3/8", DEMA, NC
6	43300009	Injector, DEMA, Green, .098
	62377-X	Injector, XFO Ring, Green, .098
7	46100001	Valve, NC, 1/4" NPT, 24VAC
8	23237-PB	Fitting, Swvl., 3/8" T x 1/4" MPT



30-A. UNDERCARRIAGE VALVE		
1	61945	Valve, Piston, DEMA, 3/4"
2	67012-MHB	Hose Barb, 3/4" H x 3/4" MNPT



30-B. REMOTE & RECEIVER		
1	92011	Receiver, Manual Remote
2	33460002	Transmitter, Manual Remote



30-C. UCC		
<i>NOTE: Specify PLC and Washview software version</i>		
1	3682	HMI, Touch Panel 5.7"
	3682-B	HMI, Back Module, No Screen (NP)
2	3682-F	HMI, Face (Front screen replace)
3	30007	Button, System Stop
30093-BASE		Base, System Stop (NP)
30093		Contact, NC System Stop (NP)



30-D. AUDIO BUZZER		
1	33420001	Buzzer, Audio, Pos-Prompt, 24VDC

30-E. TOP BRUSH		
Qty	Part #	Description
2	22060006	SPACER,FOAM,BRUSH,3"X7",BLK
8	22060072	SPACER,FOAM,BRUSH,4"X7",BLK
24	22060011	Indv, 4mm, 4-1/2"x 27-1/2" (699mm) Blue
192	22060010	Indv, 4mm, 4-1/2"x 31-1/2" (800mm) Blue
20010014		Brush, Flexifill, Blue, Complete

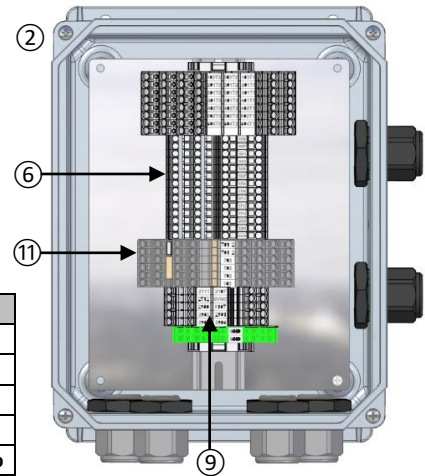
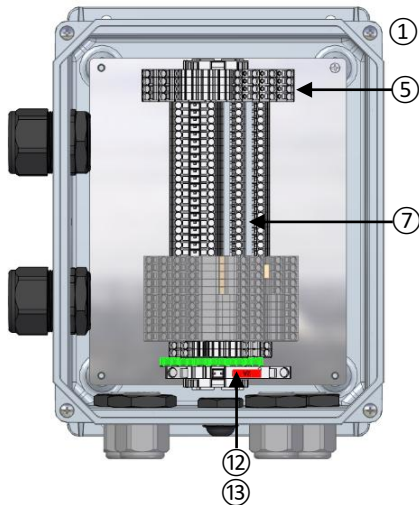


2026 PICTORIAL PARTS BOOK

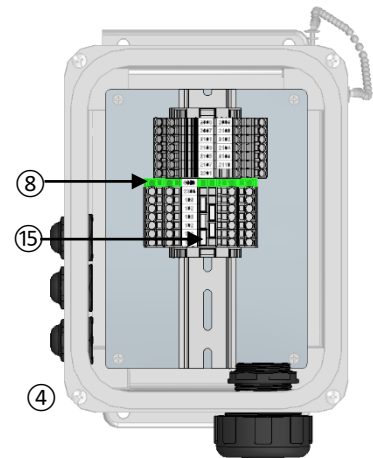
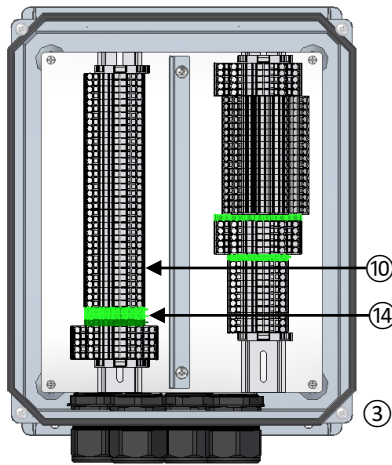
PROFILE

LXP
PROFILE

APEX
PROFILE

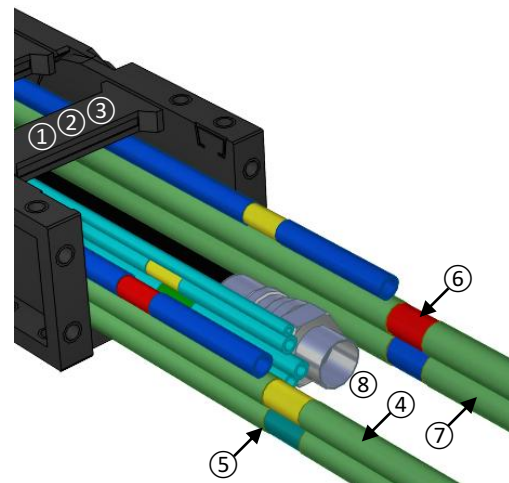


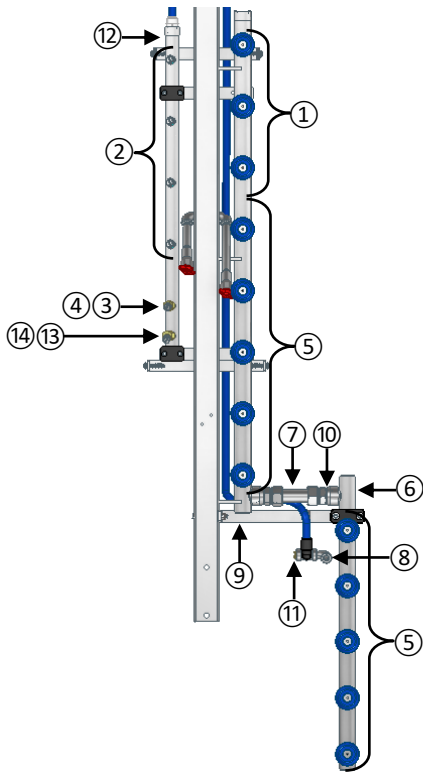
31-A. ENCLOSURE COMPONENTS		
1	30010009	Carriage Enclosure Assembly, LS
2	30010010	Carriage Enclosure Assembly, RS
3	30010007	Bay Enclosure Assembly
4	30010008	SDS Panel Enclosure Assembly
5	10027-WG	Terminal, Quad Deck Motor Wago
6	10010-WG	Terminal Block, 3W
7	10017-WG	Jumper Strip, (for 10010-WG terminals)
8	10005-WG	Terminal Block, 4P, Ground
9	34160003	Terminal, Dbl-Deck, 2-Pole
10	10007-WG	Terminal Block, 2P
11	34160004	Terminal, Dbl-Deck, 4-Pole
12	10028-WG	Terminal, Fuse Holder
13	35950-2	Fuse, 2A ATO-2
14	10009-WG	Terminal Block, 2P, Ground
15	10015-WG	Jumper, 2P Wago



31-B. CARRIAGE E-CHAIN		
NOTE: Specify feed side of machine		
1	33283-E	E-chain End Mount
2	40010016	E-Chain Assy., LS
	40010017	E-Chain Assy., RS
3	33284-C	E-Chain Crosslink, 450.25
4	34350011	Cable, LS, Yellow, 508"
	34350015	Cable, RS, Yellow, 376"
5	34350012	Cable, LS, Green, 376"
	34350016	Cable, RS, Green, 508"
6	34350013	Cable, LS, Red, 508"
	34350017	Cable, RS, Red, 376"
7	34350014	Cable, LS, Blue, 376"
	34350018	Cable, RS, Blue, 508"
8	42820	Hose Assy., 3/4" x 268"
	33283-L	E-Chain Linkage, E4.56.01 (NP)
	33283-P	E-Chain Pivot, E4.56.02.200 (NP)
	34210003	Blank E-Chain, 62-Links, (NP)
	21000042	Bracket Mount, Carr. E-Chain (NP)

31-B. CARRIAGE E-CHAIN

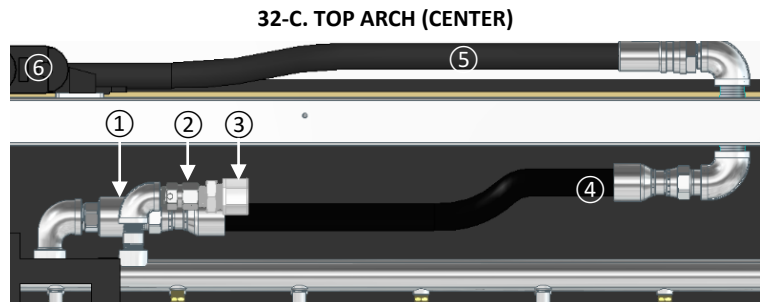




32-A. SIDE ARMS		
1	43060003	Nozzle, Rotating 2.0
2	63005-4M	Nozzle, 2503, 1/4"
3	63047-4M	Nozzle, 4006, 1/4"
4	64826	Adapter, 10°, 1/4"
5	63530	Nozzle, Turbo 3.0 GPM
6	21500018	Manifold, 5-hole, 1", LS
	21500020	Manifold, 5-hole, 1", RS (NP)
7	41600002	Pipe, 1 x 4-3/4"
8	63300-4M	Nozzle, 6510, 1/4"
9	21000086	Bracket, HP Manifold
10	41410005	Fitting, Comp., 1 x 3/4" NPT
11	21500019	Tee, Weld
12	215000021	Manifold, 6-hole, 3/4"
13	63045-4M	Nozzle, 4004, 1/4"
14	41400008	Adapter, 32°, 1/4"

32-B. SIDE ARM COVERS		
1	21280030	Cover, LS, Exit End, ABS (NP)
	21280032	Cover, RS, Exit End, ABS
2	21280031	Cover, LS, Entrance End, ABS (NP)
	21280033	Cover, RS, Entrance End, ABS

32-C. TOP ARCH (CENTER)		
1	41340003	Swivel, 3/4" NPT
2	41400009	Swivel, 1/2" NPT, SST
3	41410003	Fitting, Comp, 3/4" T x 1/2" NPT
4	41550022	Hose, 3/4"x 24-1/2"
5	41550026	Hose, 3/4"x 142"
6	34210008	E-Chain, Blank
	40010022	E-Chain, Assembled

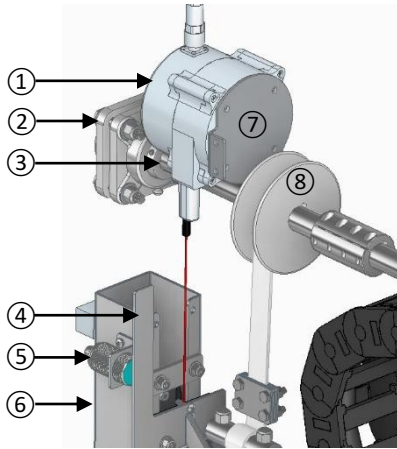


2026 PICTORIAL PARTS BOOK

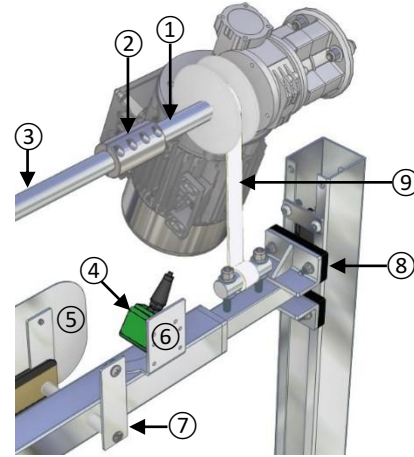
PROFILE

LXP
PROFILE

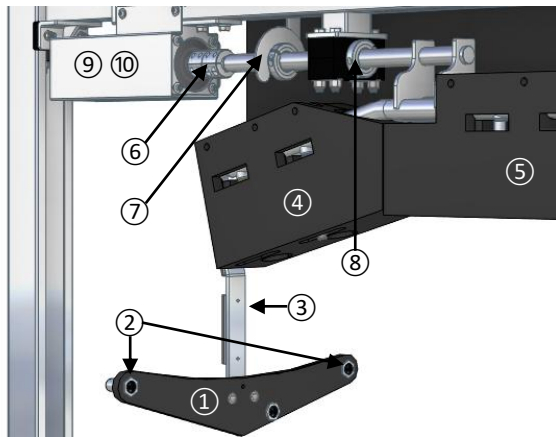
APEX
PROFILE



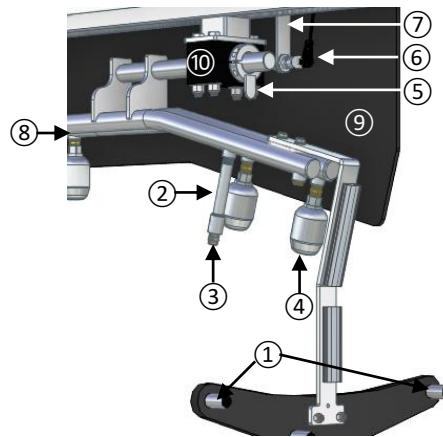
33-A. TOP ARCH ROLLUP (LEFT SIDE)		
1	33570002	String-Pot, Prgrmd, Arch, F&C
2	8907	Bearing Flange, 1"
3	23120003	Shaft, Bearing, 1"
4	21080082	Flag, Home Location
5	91926	Prox Switch, 30mm
6	20010046	C-Channel, Arch
7	21000109	Bracket, Mnt, String-Pot
8	M618952	Pulley, Arch Roll-Up



33-B. TOP ARCH ROLLUP (RIGHT SIDE)		
1	23120005	Shaft, Gear Box, 1"
2	12092	Coupling, 1"
3	23120004	Shaft, Drive, 1"
4	92070	Sensor, Level, P&F
5	21080092	Conceal Plate, SS
6	M508995	Bracket, Level Sensor
7	21080093	Plate, Conceal Plate Support
8	21080079	Slider, Bearing, C-Channel
9	50450012	Update, TB Lift Belt Set



33-C. TOP ARCH (LEFT SIDE)		
1	21080091	Plate, Photo-Eye Mount, Plastic
2	33510006	Sensor, Receiver, 12mm
3	21000089	Bracket, Photo-Eye Mount
4	22050015	Foam, Arch, LS Outside
	22050016	Foam, Arch, RS Outside
5	22050017	Foam, Arch, LS Inside
	22050018	Foam, Arch, RS Inside
6	22050020	Collar, 20mm
7	21080095	Flag, Zone Location
8	22050019	Collar, 1"
9	23010003	Gearbox, 10:1, 20mm-Shaft
10	31010006	Motor, Stepper, 1.8deg, Nema34, 2PH
	91919	Prox Switch, 12mm (NP)

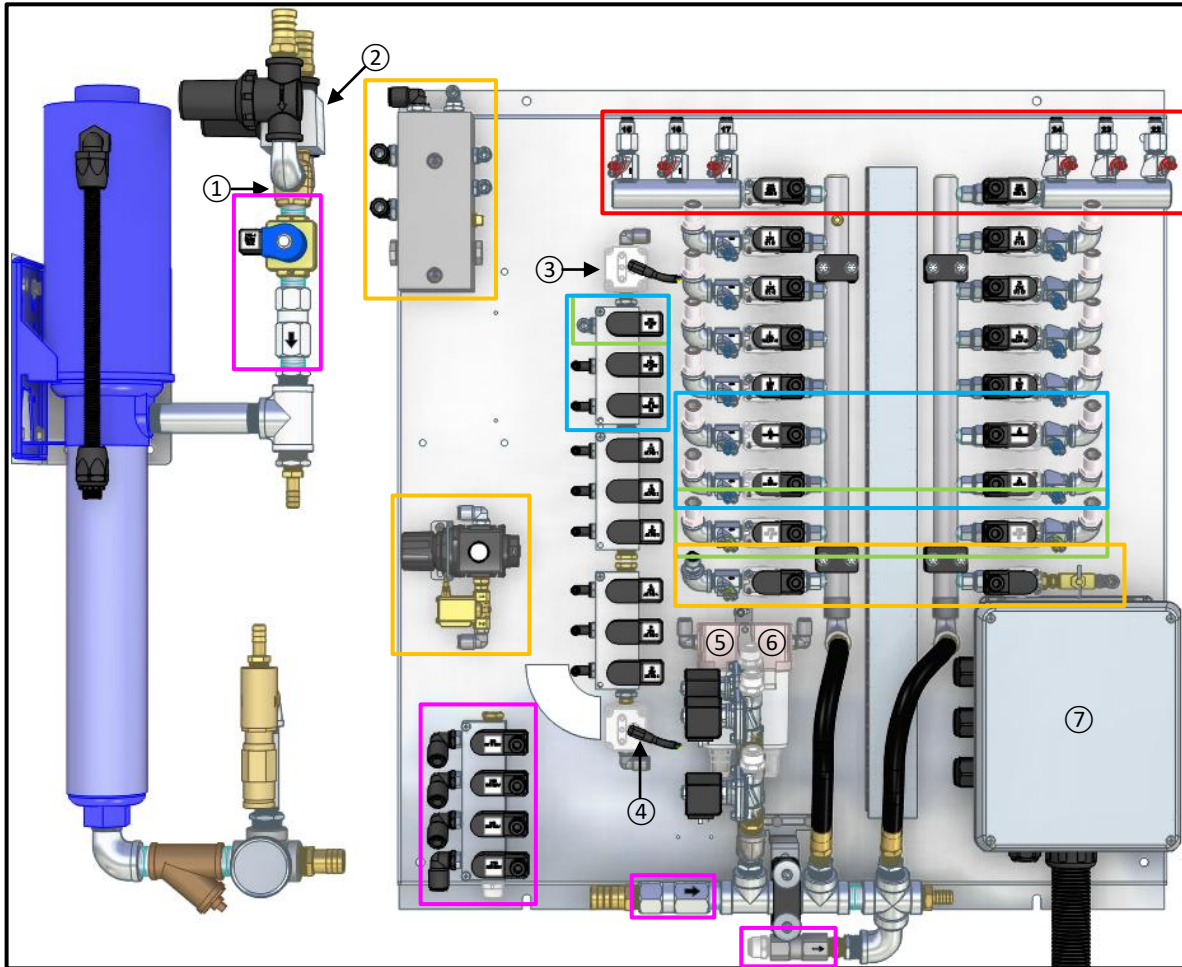


33-D. TOP ARCH (RIGHT SIDE)		
1	33510005	Sensor, Emitter, 12mm
2	41030011	Nipple, 1/4" x 4"
3	62980-4M	Nozzle, 2504, 1/4"
4	63527	Nozzle, 4GPM
5	21080081	Flag, Home Rotate
6	91921	Prox Switch, 18mm
	33270	Cable, 90 Deg., 15m
7	21040008	Bracket, Home Rotate Prox
8	21160006	Top Arch, Manifold Weldment
9	22050021	Conceal Sheet, Foam
10	23030006	Bearing, Nylatron, 1"



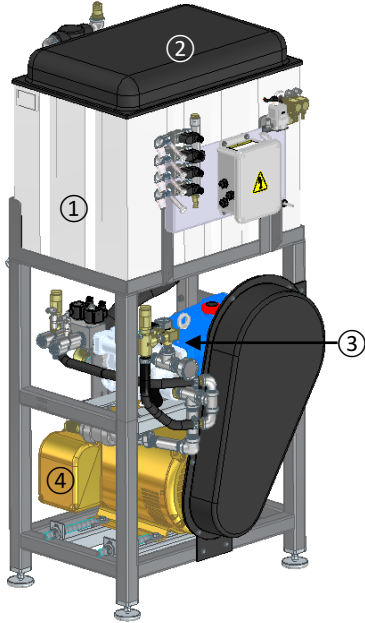
34-A. MACHINE COVERS & DECAL

34-A. MACHINE COVERS & DECAL		
1	M540100	Cover, F/R Profile Carr., ABS
2	80070001	Decal, F/R Cover
	83925-5	Light Strip, LED Blue 5 meter (NP)

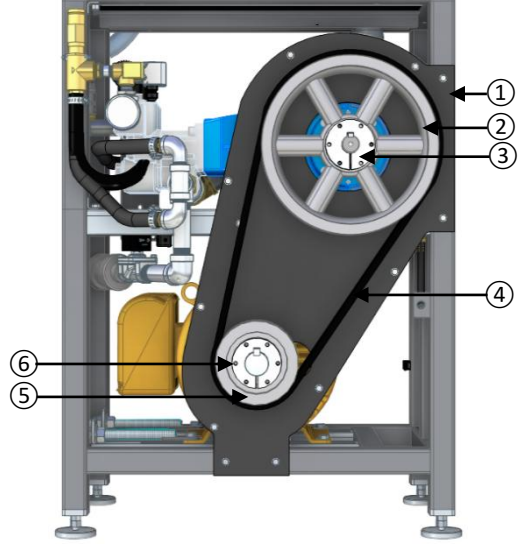


34-B. SDS PANEL					
1	46100009	Valve, 3-Way, 24VAC, 3/4" NPT	5	25035	Filter, Air, 5μ, 1/4"
2	34200005	Coil, Actuator, 24VAC, NC, L-Switch	6	25036	Filter, Air, 3μ, 1/4"
3	25205	Regulator, Air, 4-20mA	7	30010014	Enclosure Assembly
4	33250	Cable, Air Regulator			
Options					
Blowdown; see page 13		Foam 'N Flow; see page 13		TCF; see page 12	
Big Shot; see page 13				ESD; see page 12	



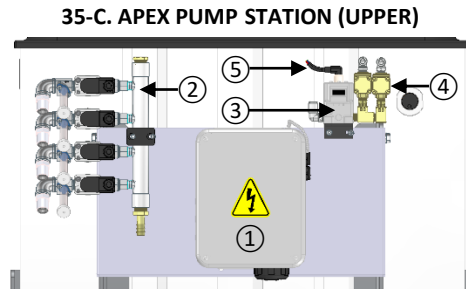


35-A. APEX PUMP STATION		
1	M348894	Tank, Poly
2	M538919	Cover, Tank
3	61589	Pump, CAT 3535
4	36919-A	Motor, 25HP 284T 208/230/460V

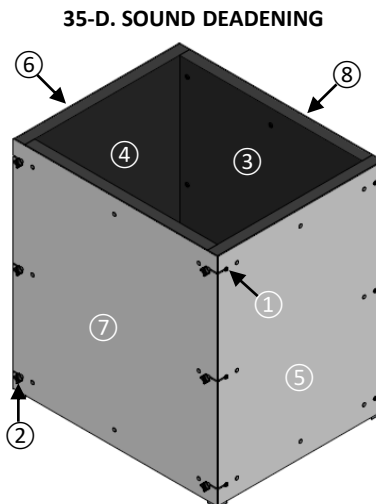


35-B. APEX PUMP STATION (LOWER)		
1	M538921	Belt Guard Inner
	M538920	Belt Guard Outer (NP)
2	10932-3SK	Sheave, 3B13.6 SK Cat Pump
3	11408-SK	Bushing, Sheave 35mm SK
4	9956-3BX	Belt, 3V 67"
5	10917-3SD	Sheave, 3B6.2 SD
6	11421-SD	Bushing, Sheave 1-7/8" SD

35-C. APEX PUMP STATION (UPPER)		
1	30010014	Enclosure Assembly, HP Panel
2	21500002	Manifold, 4-hole
3	25205	Regulator, Air, 4-20 mA
4	46100001	Valve, Sol., NC, 1/4"
5	33250	Cable, Air Regulator



35-D. SOUND DEADENING		
1	78488	Well Nut, 1/4" Rubberized
2	65030001	Knob, 1/4", 1" stud
3	22050022	Foam, Convoluted, 37" x 43"
4	22050023	Foam, Convoluted, 33-1/2" x 43"
5	21250004	ABS Panel, White, 33-1/2" x 44"
6	21500003	ABS Panel, White, 33-1/2" x 44"
7	21500002	ABS Panel, White, 41" x 44"
8	21500001	ABS Panel, White, 41" x 44"
78480		Rivet, Nylon, Interlocking (NP)
65210003		Ratcheting Push Rivet, 1/4" (NP)



36-A. UCC		
<i>NOTE: Specify PLC and Washview software version</i>		
1	3682	HMI, Touch Panel 5.7"
2	3682-F	HMI, Face (Front screen replace)
3	30007	Button, System Stop
4	32110001	Disconnect, Switch, 600V, 100A, 3P
	30093-BASE	Base, System Stop (NP)
	3682-B	HMI, Back Module, No Screen (NP)
	30093	Contact, NC System Stop (NP)
	32640002	Key, UCC, Universal (NP)
	33240001	Card, Memory, SD, 24MB (NP)



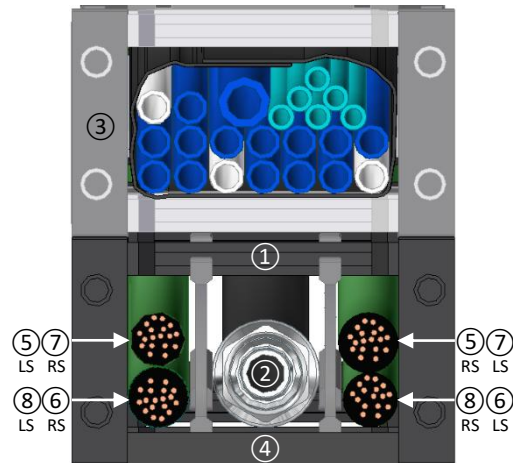
36-B. STEPPER DRIVE COMPONENTS		
1	31400002	Drive, Stepper, 20-80VDC
2	32060001	Power Supply, 48V
	31460001	Motor Starter, Sol. State (NP)

36-B. STEPPER DRIVE COMPONENTS



36-C. CARRIAGE E-CHAINS		
<i>NOTE: Cable length change for machines 80-0059 and newer</i>		
1	34220009	E-chain Cross Link, 450.10
2	41550030	Hose, 1 x 292" w/ Wrap
3	40010024	Assembled E-Chain, Sol., LS/RS
	34210006	Blank E-Chain, Sol.
4	40010034	Assembled E-Chain, Elec., RS
	40010035	Assembled E-Chain, Elec., LS
5	34350039	Cable, LS, Yellow, 534"
	34350043	Cable, RS, Yellow, 391"
6	34350040	Cable, LS, Blue, 391"
	34350044	Cable, RS, Blue, 534"
7	34350037	Cable, LS, Red, 534"
	34350041	Cable, RS, Red, 391"
8	34350038	Cable, LS, Green, 391"
	34350042	Cable, RS, Green 534"
	21000078	Bracket, Carriage Mnt. (NP)
	21000091	Bracket, Trough Mnt, SST (NP)
	33286-P	E-chain Link, Outer (NP)
	34220001	E-Chain Link, Outer (NP)

36-C. CARRIAGE E-CHAINS



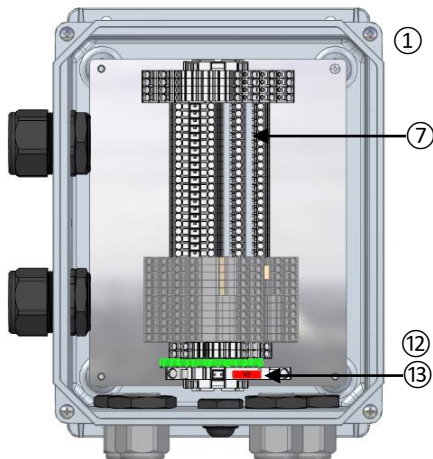
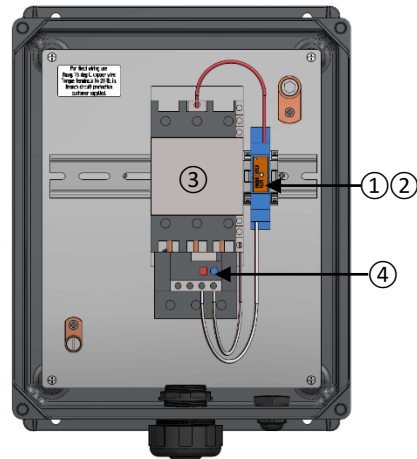
36-D. E-CHAIN SUPPORT ROLLER		
1	23180005	Roller, Suprt, Rlr-Case, 10106-1A
2	23180002	Roller, Suprt, Shaft, SS, 10106-1A
3	23180008	Roller, Suprt, End-Stop, UHMW
	10106-1A	Roller Assembly, 7-1/8"

36-D. E-CHAIN SUPPORT ROLLER

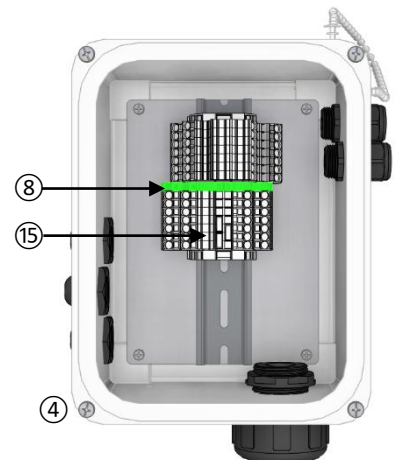
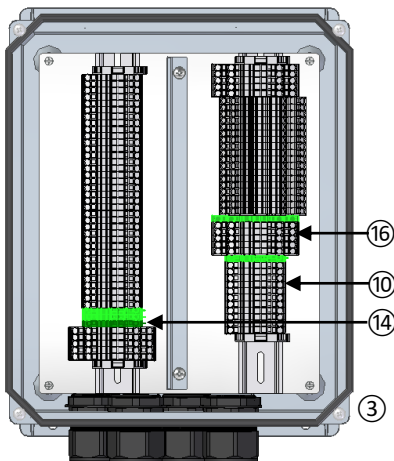
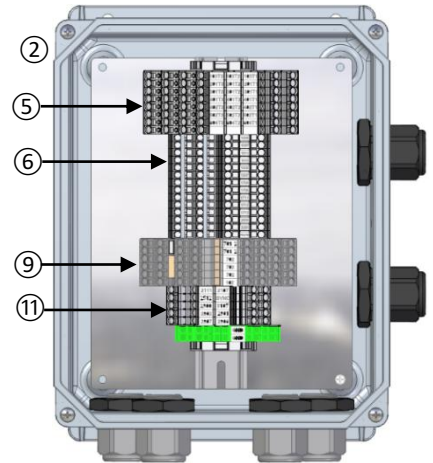


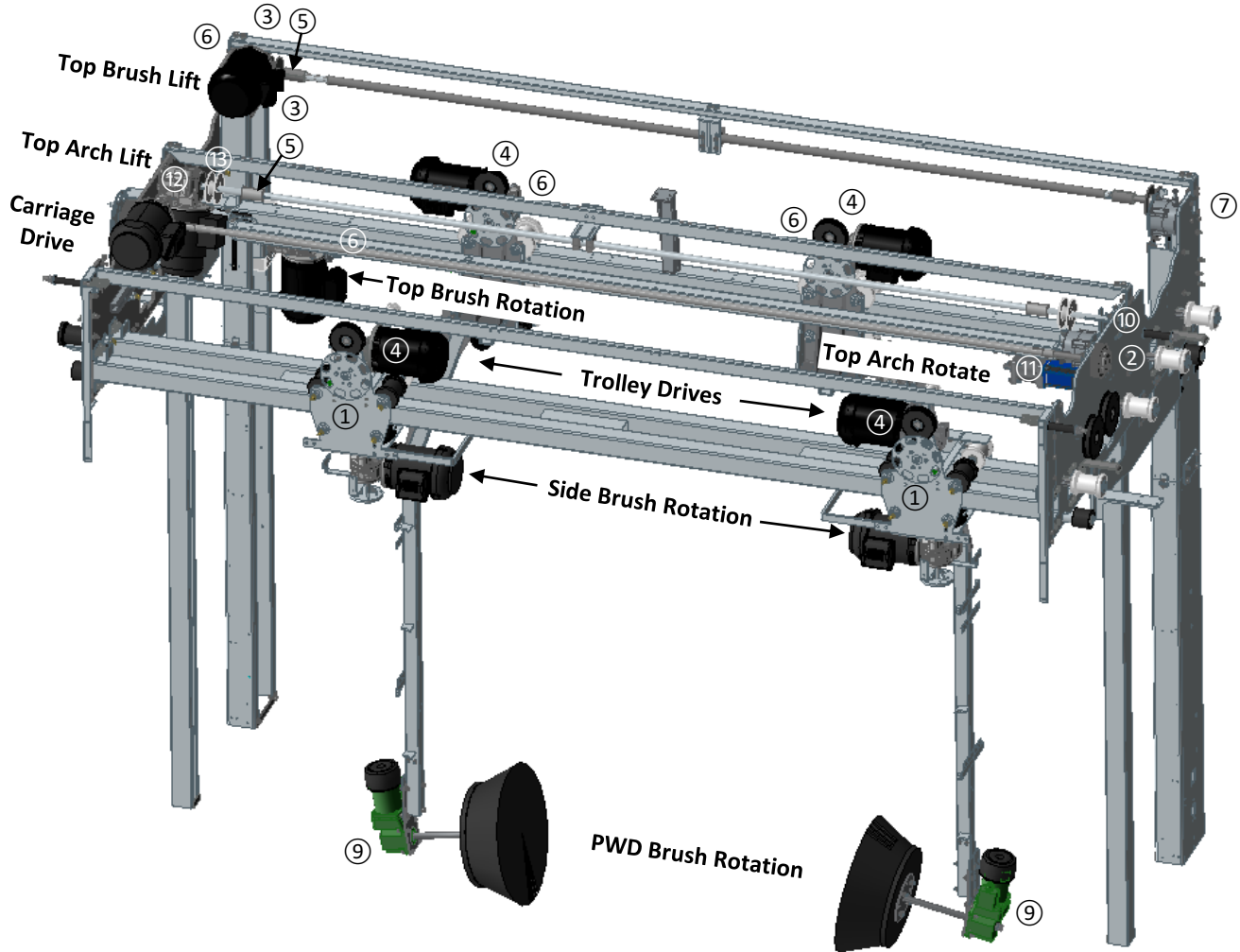
37-A. 25HP MOTOR STARTER BOX		
1	30995	Base, Relay
2	30907	Relay, 24VAC
3	29091	Contactora, 80A 24VAC Coil
4	29396	Overload, 63-80A
WW20036-CE		Loaded Enclosure Assy.

37-A. 25HP MOTOR STARTER BOX



37-B. ENCLOSURE COMPONENTS		
1	30010011	Carriage Enclosure Assembly, LS
2	30010012	Carriage Enclosure Assembly, RS
3	30010013	Bay Enclosure Assembly
4	30010014	HP Panel Enclosure Assembly
5	10027-WG	Terminal, Quad Deck Motor Wago
6	10010-WG	Terminal Block, 3W
7	10017-WG	Jumper Strip, (for 10010-WG terminals)
8	10005-WG	Terminal Block, 4-Pole, Ground
9	34160004	Terminal, Dbl-Deck, 4-Pole
10	10007-WG	Terminal Block, 2-Pole
11	34160003	Terminal, Dbl-Deck, 2-Pole
12	10028-WG	Terminal, Fuse Holder
13	35950-2	Fuse, 2A ATO-2
14	10009-WG	Terminal Block, 2-Pole, Ground
15	10015-WG	Jumper, 2-Pole Wago
16	10008-WG	Terminal Block, 4-Pole



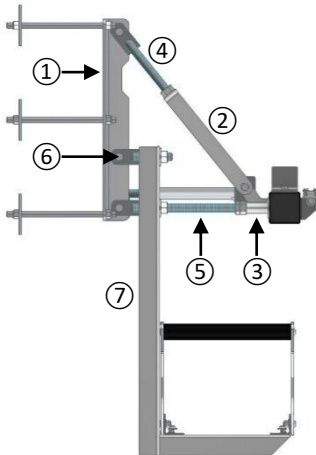


PROFILE/APEX/LXR - MOTOR/GEARBOX AND KEY REFERENCE CHART

38-A. PROFILE/APEX/LXR GEARBOXES AND MOTORS			
Assembly	Qty.	Part #	Description
Carriage Drive	1	17957	Gearbox, 43:1
	1	36922	Motor, 3/4HP
Top Brush Lift	1	17958	Gearbox, 60:1
	1	36917	Motor, 1/2HP
Trolley Drives	4	17957	Gearbox, 43:1
	4	36917	Motor, 1/2HP
Side Brush Rotation	2	17954	Gearbox, 18:1
	2	36922	Motor 3/4HP
Top Brush Rotation	1	17953	Gearbox, 14:1
	1	31030001	Motor, 1HP
APEX SPECIFIC			
PWD Brush Rotation	2	50530001	Assy, Filter & Motor
Top Arch Rotation	1	23010003	Gearbox, 10:1
	1	31010006	Motor, 12Nm
Top Arch Lift	1	17958	Gearbox, 60:1
	1	31030001	Motor, 1HP

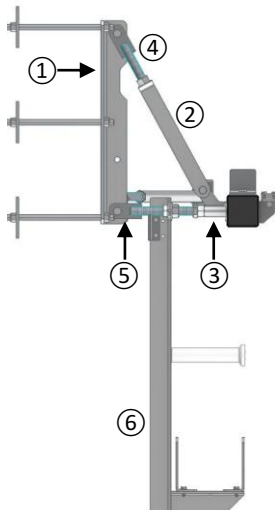
38-B. REPLACEMENT KEYS				
Item	Qty.	Part #	Key Size	Application
1	4	M688932	1/4" x 1-1/4"	Pulse flag
2	1	M688943-2	1/4" x 1-1/2"	Carriage Drive Gear
3	1	M688943-1.6	1/4" x 1-5/8"	Lift Belt Pulley
4	4	M688943-1.88	1/4" x 1-7/8"	Trolley Shaft/Gearbox
5	2	M688943-3.3	1/4" x 3-3/8"	Driveshaft coupling
6	4	M688943-3.25	1/4" x 3-1/4"	SB/TB Rotation, TB Lift Gearbox
7	1	M688943-4.25	1/4" x 4-1/4"	Lift Belt Pulley & Coupling
8	1	M688943-5.3	1/4" x 5-3/16"	TB Lift Shaft Coupling
9	2	23150001	6mm x 32mm	PWD Shaft/Gearbox
APEX SPECIFIC				
10	1	M688943-6.3	1/4" x 6-3/8"	Shaft coupling, Top Arch Pulley, & Carriage Drive Gear Box
11	1	23150001	6mm x 32mm	Top Arch Rotate
12	1	M688943-3.25	1/4" x 3-1/4"	Top Arch Lift Gearbox
13	1	M688943-2.5	1/4" x 2-1/2"	Top Arch Lift Pulley

39-A. WALL MOUNT - PROFILE



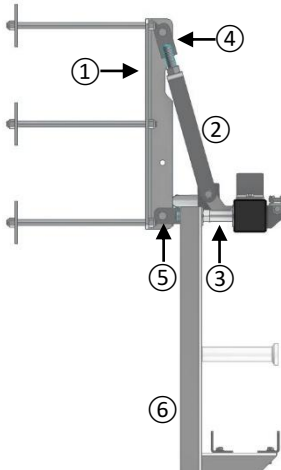
39-A. WALL MOUNT - PROFILE		
<i>NOTE: Some parts are bay width specific e.g. 15'4"-16'</i>		
1	M528918-S	Angle, Wall Mount, SST, 15'4"-16'8"
	M528931-S	Angle, Wall Mount, SST, 16'8"-18"
2	M308982-S	Bracket, Rail Support SST
3	M309077	Bracket, Rail Mount
4	M389013-S	Tie Rod, 3/4 x 14-5/8", 15'4"-16'
	M389011-S	Tie Rod, 3/4 x 16-3/4", 16'-16'9"
	M389012-S	Tie Rod, 3/4 x 28-3/4", 16'9"-18"
5	M389010-S	Tie Rod, 3/4 x 24-3/4", 15'4"-16'
	M389012-S	Tie Rod, 3/4 x 28-3/4", 16'-16'9"
	M389018-S	Tie Rod, 3/4 x 35-3/8", 16'9"-18"
Trough		
6	M389013-S	Tie Rod, 3/4 x 14-5/8", 15'4"-16'9"
	M389010-S	Tie Rod, 3/4 x 24-3/4", 16'9"-18"
7	21340009	Bracket, Trough, SST

39-B. WALL MOUNT - APEX



39-B. WALL MOUNT - APEX		
<i>NOTE: Some parts are bay width specific e.g. 14'8"-16'</i>		
1	M528918-S	Angle, Wall Mount, SST, 14'8"-16'9"
	M528931-S	Angle, Wall Mount, SST, 16'9"-18"
2	M308982-S	Bracket, Rail Support SST
3	M309077	Bracket, Rail Mount
4	M389013-S	Tie Rod, 3/4 x 14-5/8", 14'8"-16'
	M389011-S	Tie Rod, 3/4 x 16-3/4", 16'-16'9"
	M389012-S	Tie Rod, 3/4 x 28-3/4", 16'9"-18"
5	M389010-S	Tie Rod, 3/4 x 24-3/4", 14'8"-16'
	M389012-S	Tie Rod, 3/4 x 28-3/4", 16'-16'9"
	M389018-S	Tie Rod, 3/4 x 35-3/8", 16'9"-18"
Trough		
6	21340004	Bracket, Trough, SST

39-C. WALL MOUNT - LXR



39-C. WALL MOUNT - LXR		
<i>NOTE: Some parts are bay width specific e.g. 14'-16'</i>		
1	M528918-S	Angle, Wall Mount, SST, 14'-16'9"
	M528931-S	Angle, Wall Mount, SST, 16'9"-18"
2	M308982-S	Bracket, Rail Support SST
3	M309077	Bracket, Rail Mount
4	M389013-S	Tie Rod, 3/4 x 14-5/8", 14'-16'
	M389011-S	Tie Rod, 3/4 x 16-3/4", 16'-16'9"
	M389012-S	Tie Rod, 3/4 x 28-3/4", 16'9"-18"
5	M389010-S	Tie Rod, 3/4 x 24-3/4", 14'-16'
	M389012-S	Tie Rod, 3/4 x 28-3/4", 16'-16'9"
	M389018-S	Tie Rod, 3/4 x 35-3/8", 16'9"-18"
Trough		
6	21220004	Bracket, Trough, SST

2026 PICTORIAL PARTS BOOK

PROFILE

LX
PROFILE

APEX
PROFILE

Item Number	Item Description	Price (\$)
011-B	O-Ring 1-1/8ID 3/32 C/S 1-5/16	1.50
011-BU-T	Backup Ring 3/32nom 1.143ID	1.00
10005-WG	Terminal Block 4-pole Grd-Wago	10.25
10007-WG	Terminal Block 2-pole - Wago	2.50
10008-WG	Terminal Block 4-pole - Wago	3.25
10009-WG	Terminal Block 2-pole Grd-Wago	6.75
10010-WG	Terminal Block 3W - Wago	7.75
10011	Terminal Block End Stop	2.00
10012-WG	Terminal Block 2P End Cap Wago	1.50
10013-WG	Terminal Block 4P End Cap Wago	1.75
10014-WG	Terminal Block 3W End Cap Wago	1.25
10015-WG	Jumper - Wago	1.00
10017-WG	Terminal Block 3W Jumper, Wago	17.00
10020-WG	Terminal 2-pole 6GA - Wago	6.00
10021-WG	Terminal 2-pole GND 6GA wago	13.00
10026-WG	Terminal, Double Deck Wago	6.50
10027-WG	Terminal, Quad Deck Motor Wago	20.25
10028-WG	Terminal, Fuse Holder Wago	14.00
10031-AB	Circuit Breaker 1A - AB	178.00
10032-AB	Circuit Breaker 2A - AB small	170.00
10033-AB	Circuit Breaker 7A - AB	170.00
10033-SM	Circuit Breaker, 7A 1P Siemens	36.00
10034-AB	Circuit Breaker 10A - AB	170.00
10035-AB	Circuit Breaker 15A - AB	170.25
10040-FI	Relay & Socket 24VDC Finder	16.75
10041-FI	Relay & Socket 24VDC Solid Stat	38.50
10042-FI	Relay, 24VDC 8 Pin Finder	6.77
10043-AB	Relay Base SPDT - AB	28.00
10043-FI	Relay Base, 8 Pin Finder	7.00
10047-AB	Relay DPDT 10A 24vac - AB	55.00
10106-1A	Roller Assembly, E-Chain	211.25
10106-2A	Roller Assy, E-Chain FSF OBD (202.75
10106-3A	Roller Assy., E-Chain FSF (9-1	306.00
106-B	O-Ring 1-3/16ID 1/8C/S 1-7/16	1.00
106-BU-T	Backup Ring 1/8Nom 1.203 ID	1.50
10714	Ball 7/16 440 SS (Spray Arch)	1.05
10715	Ball 3/8" 440 SS (VA Spray Arc	1.05
10715-R	Virtual Attendant Retainer	8.35
10789	Manifold Grease 4-hole	43.80
10790	Manifold Grease 5-hole	28.50
10793	Manifold Grease Block 8-hole	45.00
10917-3SD	Sheave 3B 6.2 3 Groove Type SD	140.00
10920-2SD	Sheave, 2B56 SDS	120.00
10921-2SK	Sheave, 2B 11.0 SK	160.00
10932-3SK	Sheave 3B 13.6 3 Groove SK	280.00
10934-3SK	Sheave, 7.4x3B-SK	130.00
11407-SK	30mm Bushing	38.00
11408-SK	Bushing Sheave 35mm Type SK	45.00
11409-SK	Bushing Sheave 40mm Type SK	45.00
11417-SDS	Bushing, Sheave 1-5/8" SDS	29.00
11421-SD	Bushing Sheave 1-7/8 Type SD	47.00
11421-SK	Bushing Sheave 1-7/8 Type SK	33.00
11802-1.90S	Key 5/16 x .19 x 2.0L SS	15.84
11802-2S	Key 5/16 x .25 x 2.0L SS	23.25

Item Number	Item Description	Price (\$)
12091	Drive Coupling 1-3/16 x 1-3/16	114.40
12092	Drive Coupling 1"	132.00
12389	Snap Ring 1"	0.75
13906	Bumper Compression GBR-7	33.05
13920	Bumper, Compression, Belt Tens	25.49
13925	BUMPER,COMP,URETHANE,90 DURO	55.00
13937	Pavement Marker / Reflector	13.50
13938	Epoxy Kit f/ Pavement Markers	65.00
13940-S	Leveling Pad, SS 1/2"-13 thd	21.00
13941-S	Leveling Pad SS 3/8"-16 thd DI	11.00
13976	Bumper Compression GBA-8	75.00
15789	Tire 410/3.50-4 4-ply TubeType	32.00
15790	Tube Inner 410-4	12.00
15791-S	Tire Rim 4 x 1-5/16 Stainless	26.00
17940-R3	Gear Box 30:1 D80 Flange	1400.00
17941-R3	Gear Box 50:1 D71 Flange-R3	1765.00
17942-R3	Gear Box 50:1 D80 Flange-R3	1765.00
17953	Gearbox, Bravo 14:1 1-1/8" Bor	754.71
17954	Gearbox, Bravo 18:1 1-1/8" Bor	695.00
17955	Output Flange, Bravo Gear Box	64.00
17956	Output Spacer Bravo Gearbox	117.75
17957	Gearbox, Bravo 43:1 1" Bore 56	640.50
17958	Gearbox, Bravo 60:1 1" Bore 56	691.00
20010014	BRUSH, TOP, ASSY, BLUE, LXR	3213.17
20010030	BRUSH, TOP, ASSY, BLUE, APEX/PRO	3520.00
20010031	BRUSH, SIDE, ASSY, BLUE, APEX, PRO,	3250.47
20010035	C-CHANNEL, ARCH, LS/RS, SST	407.00
20010046	C-CHANNEL, ARCH, LS/RS, SST, SPCR-	335.00
21000002	BRACKET, SIDEPOD-MNT, 1.75X2.5",	13.50
21000009	BRACKET, MNT, OHD-MANF, SST	36.75
21000013	BRACKET, 7.00X4.75", 304SST, RZR	39.00
21000014	BRACKET, MNT, OBD-BTM-CVRS, 1.5X2	118.00
21000017	BRACKET, MNT, DRYER-SONAR, 25THK	92.00
21000018	BRACKET, MNT, TUBE, DRYER-SONAR, 1	65.00
21000019	BRACKET, MOUNT, LED, PRO-CVR, PVC	58.00
21000020	BRACKET, MNT, OBD-FG-BTM-CVR, SST	66.00
21000021	BRACKET, LED-MNT, SR, PROFILE, SST	145.00
21000022	BRACKET, LED-MNT, FNF, PROFILE, SS	85.00
21000023	BRACKET, LED-MNT-ATTACH, FNF, PRO	11.00
21000024	BRACKET, MNT, CRG-CVR, RS-ENT/LS-	112.50
21000025	BRACKET, MNT, CRG-CVR, LS-ENT/RS-	112.50
21000026	BRACKET, MNT, LATCH, CARR-CVR, SST	14.25
21000030	BRACKET, MNT, TCF, LS, FRMD, SST	25.25
21000031	BRACKET, MNT, TCF, RS, FRMD, SST	25.25
21000032	BRACKET, MNT, TCF, INS-CVR-PLATE,	46.00
21000037	BRACKET, HSG-MNT, 2-HOLE, SLTD, SS	11.75
21000042	BRACKET, MNT, CRG-ECHAIN, SST, LXR	151.50
21000044	BRACKET, MNT, CVR-ENCL, SST	24.25
21000045	BRACKET, MNT, DUAL-LED, SST	21.00
21000046	BRACKET, MNT, FOAMER-HEAD, SST	37.75
21000048	BRACKET, MNT, 7" LG, SST, EXIT-SPRA	33.25
21000050	BRACKET, MNT, DRYER-LED, HORIZ, SS	62.75
21000051	BRACKET, MNT, DRYER-LED, VERT, SST	101.00
21000052	BRACKET, MNT, DIV-VLV, SST, DEMA	34.00



2026 PICTORIAL PARTS BOOK

PROFILE

XP
PROFILE

APEX
PROFILE

Item Number	Item Description	Price (\$)
21000053	BRACKET,MNT,DRAIN-VLV,SST	30.75
21000054	BRACKET,MNT,DIV-VLV,SST,DEMA,P	32.00
21000055	BRACKET,MNT,MANF,SIDE-BLSTR	38.25
21000056	BRACKET,MNT,UC-EYE,4"-DROP,SST	32.50
21000061	BRACKET,MNT,FOAMER-HEAD,EXI,SS	35.25
21000065	BRACKET,MNT,CRG-ECHAIN,RZR	115.00
21000069	BRACKET,MNT,SR,CRG,APEX	41.25
21000070	BRACKET,MNT,CVR,RS-EXIT	126.50
21000071	BRACKET,MNT,CVR,LS-EXIT	114.00
21000072	BRACKET,MNT,CVR,RS-ENTR	261.00
21000073	BRACKET,MNT,CVR,LS-ENTR	280.00
21000078	BRACKET,MNT,CRG-ECHAIN,APEX	169.00
21000079	BRACKET,MNT,OBD-ECHAIN,APEX	200.00
21000089	BRACKET,MNT,PHOTO-EYES,ARCH,AP	73.00
21000090	BRACKET,MNT,DIV-VLV,PRO-CRG,SS	48.00
21000091	BRACKET,MNT,E-CHAIN,DBL-STACK,	39.00
21000093	BRACKET,MNT,BELT-TNSN,SIDE-ARM	46.50
21000100	BRACKET,MNT,FP/TCF,LS,FRMD,SST	62.25
21000101	BRACKET,MNT,FP/TCF,RS,FRMD,SST	62.50
21000105	BRACKET,MNT,FLEX-PASS,W/O-TCF,	49.00
21000106	BRACKET,MNT,FLEX-PASS,W/O-TCF,	49.00
21004	Valve Sol 4-way 1/4npt 24vac	127.00
21020002	BRACKET,SUPP,INL-VLV,TANK,RZR	17.00
21020004	BRACKET,SUPP,E-CHAIN-RLR,OB-D-W	22.00
21020008	BRACKET,SPRT,CVR-PROP-ROD,7GA,	63.25
21020011	BRACKET,SPRT,TIRE-SNSR-HSG,PRO	12.25
21020014	BRACKET,SPRT,FNF-SH,PF	32.25
21020016	BRACKET,SPRT,E-CHAIN,SIDE-BR,L	52.50
21020018	BRACKET,RTNR,WLD,1/2"COLLAR,SS	73.00
21020019	BRACKET,RTNR,FORMED,11GA,SST	39.75
21020020	BRACKET,SPRT,TRLY-E-CHAIN,304S	64.00
21020021	COLLAR,SPLIT,RTNR,W/-WLD-BOLT	144.75
21020029	BRACKET,SPRT,CBL-ROUTING,304SS	57.00
21020030	BRACKET,SPRT,TBG-ROUTING,304SS	50.25
21020031	TROUGH,E-CHAIN,AL,LS,PRO	205.25
21040002	BRACKET,SNSR-MNT,14GA,SST	20.50
21040003	BRACKET,TOP-SNR,7GA,SST	54.25
21040004	BRACKET,PROX,F/R,CRG-RAIL,SST	74.00
21040005	BRACKET,SONAR-MNT,DRYER-NZL-SH	20.00
21060002	BRACKET,SAF-CATCH,UND-RAIL,LXR	51.50
21060005	BRACKET,MECH-STOP,ARCH,SST	127.00
21080004	FLAG,CARR,F/R,2.75X11.25"LG,11	14.25
21080006	COVER,LED,END-PTCT,3W,SST	11.00
21080012	COVER,LED-LENS,SR,ACRYLIC,CLR	7.50
21080013	MOUNT,LED-TRAY,EXIRN,PVC,WHT	35.25
21080014	CAP,END,LED-RTNR,SST	8.50
21080015	PLATE,ADPTR,GRBX,CARR-TRLY,REV	138.00
21080016	SHROUD,CARR,BELT-HTR,CC,SST	231.25
21080019	FLAG,CRG,F/R,11GA,SST,LXR	67.25
21080027	COVER,LED-LENS,R/G,ACRYLIC,CLR	4.00
21080028	MOUNT,LED-TRAY,EXIRN,PVC,WHT,P	86.00
21080029	ROD,PROP,CVR-SPRT,SST	121.00
21080032	BLOCK,HINGE,CARR-CVR,PVC,GREY	28.00
21080033	HOUSING,SNR+PHOTO-EYES,VEH-POS	567.25

Item Number	Item Description	Price (\$)
21080034	HOUSING,PHOTO-EYE,TIRE-SNSR,PR	52.00
21080035	PLATE,COVER,SNR-ACCESS,VEH-POS	13.00
21080036	SHAFT,ROLLER,E-CHAIN,RND-BAR,3	87.50
21080037	STRIP,WEAR,TRLY-E-CHAIN,PVC,GR	14.00
21080038	SLEEVE,E-CHAIN-RLR,UHMW,BLK,PR	83.00
21080039	HOUSING,BIG-SHOT,BODY,LEFT,16G	217.00
21080040	HOUSING,BIG-SHOT,BODY,RIGHT,16	217.00
21080041	HOUSING,BIG-SHOT,CVR,LEFT,16GA	57.75
21080042	HOUSING,BIG-SHOT,CVR,RIGHT,16G	57.75
21080043	COVER,LED-LENS,SR+,ACRYL,CLR	23.00
21080044	MOUNT,LED-TRAY,EXIRN,PVC,WHT,S	180.00
21080045	MOUNT,LED-ASSY,TOP,SST	614.75
21080046	MOUNT,LED-ASSY,BOT,SST	676.15
21080047	MOUNT,XBAR,LED-ASSY,SST	417.50
21080059	HOUSING,PHOTO-EYE,UC,SST	70.25
21080061	CAP,END,DUAL-LED-RTNR,SST	10.75
21080062	MOUNT,LED-TRAY,EXIRN,PVC,WHT,L	51.00
21080063	COVER,LED-LENS,ACRYL,CLR,LUMEN	3.50
21080067	BLOCK,2x2.875x5"LG,UHMW,BLK	54.00
21080069	BRACKET,BENT,W/CPLG,3/8"	87.25
21080070	PLATE,2.5"X4",ARCH-CVR,DBL-BRL	40.25
21080072	HOUSING,SONAR,2.5" TUBE,SST,PTD	68.50
21080073	PLATE,CLAMP,LIFT-BELT,304SST	5.00
21080074	PLATE,BACKER,WHEEL-SPINNER	31.00
21080079	SLIDER,BEARING,ARCH-CHAN,NYLAT	393.75
21080091	PLATE,MNT,ARCH-PHOTO-EYES,PLST	117.75
21080092	PLATE,CNCL,ARCH,SST,APEX	160.50
21080096	COVER,LED-LENS,WP,ACRYL,BLU	11.75
21080098	PLATE,SPRT,GBR-10,304SST	11.25
21080099	BLOCK,SAF-STOP,1"X3.75",UHMW,B	27.25
21080100	BLOCK,SAF-STOP,1.75"X3.75",UHM	29.25
21080101	ANGLE,2.0X2.0X42.88X.13"THK,30	81.00
21080106	PLATE,RETAINER,SST,ARCH,DBL-BR	21.75
21080107	PLATE,LIFT,SST,ARCH,DBL-BRL	98.25
21110002	WELDMENT,SPRAY-MANF,LS	463.00
21110003	WELDMENT,SPRAY-MANF,RS	463.00
21120002	TROLLEY,FORMED,SIDE-BR,SST,APE	360.25
21160001	WELDMENT,ARCH,SIDE,SST,DBL-BRL	1770.00
21160002	WELDMENT,ARCH,TOP,SST,DBL-BRL	1030.00
21160003	WELDMENT,ARCH,TOP,SST,APEX	2668.00
21160004	WELDMENT,ARCH,SIDE,SST,HYPFRC	2470.00
21160005	WELDMENT,ARCH,TOP,SST,HYPFRC	1454.50
21160006	WELDMENT,ARCH,TOP,100.64"OAL,S	2429.75
21180002	WELDMENT,PWR-TWR,4-HOLE,W/CROS	430.00
21220001	PEDESTAL,WLDMT,1" TUBEX38"LG,SS	132.75
21220002	PEDESTAL,WLDMT,1" TUBEX8"LG,SST	67.00
21220003	PEDESTAL,WLDMT,2" TUBEX79"LG,SS	367.00
21220005	PEDESTAL,WLDMT,2" TUBEX70",SST	485.00
21220006	WLDMNT,DROP-DWN,E-CHAIN-SPRT,F	240.25
21220009	WLDMNT,2"NIP-W/PLATE,1/4NPT,SS	52.25
21230002	PANEL,PMP-STN,LP,SST,LXR	139.75
21230003	PANEL,PMP-STN,LP,SST,APEX	120.00
21250001	PANEL,44"X41",ABS,WHT,W/KO	225.25
21250002	PANEL,44"X41",ABS,WHT	216.75



2026 PICTORIAL PARTS BOOK

PROFILE

XP
PROFILE

APEX
PROFILE

Item Number	Item Description	Price (\$)
21250003	PANEL,44"X33.5",ABS,WHT,W/KO	233.75
21250004	PANEL,44"X33.5",ABS,WHT	216.75
21280001	COVER,CARR,FR,W/SPECTRARAY-LED	1265.00
21280003	COVER,CARR,REAR,W/FNF-LED-MNT,	1252.00
21280007	COVER,CARR,OBJ-BTM,FRMD,ABS,WH	795.00
21280008	COVER,DRYER,FR,W/LED,ABS	1012.00
21280009	COVER,CARR,F/R,ABS,FRMD,XR-7	888.00
21280015	COVER,PWR-TWR,BLU,PLSTC	101.00
21280016	COVER,PWR-TWR,W/LED-SLOTS,BLU,	115.00
21280017	COVER,SPRAY-ARCH,LWR-REAR,BLUE	149.50
21280018	COVER,SPRAY-ARCH,LWR-FR,BLUE,P	170.00
21280019	COVER,SPRAY-ARCH,MID-REAR,BLUE	227.70
21280020	COVER,SPRAY-ARCH,MID-FR,BLUE,P	115.00
21280021	COVER,SPRAY-ARCH,TOP-REAR,BLUE	150.00
21280022	COVER,SPRAY-ARCH,TOP-FR,BLUE,P	132.25
21280030	COVER,SIDE-ARM,LS-HP,ABS,WHT	660.00
21280031	COVER,SIDE-ARM,LS-LP,ABS,WHT	660.00
21280032	COVER,SIDE-ARM,RS-HP,ABS,WHT	660.00
21280033	COVER,SIDE-ARM,RS-LP,ABS,WHT	660.00
21280034	COVER,PWD,LS,T+TL,ABS,WHT	660.00
21280035	COVER,PWD,RS,T+TL,ABS,WHT	660.00
21280042	COVER,SA,SIDE,BLUE,PLSTC,HYPFR	216.00
21280044	COVER,SA,MID-FR,BLUE,PLSTC,HYP	120.00
21280045	COVER,SA,TOP,BLUE,PLSTC,HYPFRC	183.00
21320001	ROD,TIE,21"LG,SST,RAIL-MNT	114.25
21320002	ROD,TIE,28"LG,SST,RAIL-MNT/TEN	132.00
21320003	ROD,TIE,34.5"LG,SST,RAIL-MNT	135.50
21320004	ROD,TIE,13"LG,SST,TENSIONER	102.50
21320005	ROD,TIE,15"LG,SST,TENSIONER	113.50
21320006	ROD,THREADED,3/4-10UNC,15"LG,S	38.50
21320007	ROD,THREADED,1/2-13UNC,14.5"LG	22.75
21380002	TUBE,4X4X13.75"LG,FSF-EXI,304S	184.00
21380011	WELDMENT,RISER,FSF-EXI,SST	240.00
21420001	BUMPER,COMP,5/8ID,POLYURETHANE	32.00
21420002	BUMPER,COMP,1100LBS,GBR-10	85.00
21430001	MOUNT,CARR-RAIL,BELT-TENS,SST	14.75
21430002	SLIDE,CARR-BELT-TENS,SST	57.75
21430003	PLATE,CLAMP,CARR-BELT-TENS,SST	9.50
21430004	PLATE,BACKER,CARR-BELT-TENS,SS	7.50
21500001	MANIFOLD,3-HOLE,FNF,PUMP-ST,SS	73.50
21500002	MANIFOLD,4-HOLE,HYPRFLX,PUMP-S	85.14
21500003	MANIFOLD,MXG,FNF,PUMP-ST,PVC	258.00
21500004	MANIFOLD,1.5DIAX8"LG,W/2HOLES,	74.50
21500005	MANIFOLD,MXG,HYPRFLX,CARR,RZR,	346.50
21500006	MANIFOLD,W/FOAMER-PINS,1",SST	132.50
21500007	MANIFOLD,3-HOLE,3/4PIPE,SCH40,	248.00
21500008	MANIFOLD,2-HOLE,1/2"NPT,SST,MA	136.75
21500009	MANIFOLD,RCKR-BLSTR,2-HOLE,3/4	50.50
21500012	MANIFOLD,2-HOLE,1/2",10-DEG-RH	130.50
21500013	MANIFOLD,2-HOLE,1/2",10-DEG-LH	130.50
21500014	WELDMENT,TUBE,1/2"TX1"NPT-ADPT	214.75
21500015	MANIFOLD,WLD,VIRTUAL-ATTENDANT	529.00
21500018	MANIFOLD,WLD,1"PIPE,5-HOLE,LS,	334.75
21500019	WELDMENT,TEE,1/4",W/DROP-BRKT,	54.75

Item Number	Item Description	Price (\$)
21500020	MANIFOLD,WLD,1"PIPE,5-HOLE,RS,	335.25
21500021	MANIFOLD,WLD,6-HOLE,1/2PIPE,SS	174.75
21500022	MANIFOLD,WLD,2-HOLE,1/2"NPT,SS	78.50
21500023	MANIFOLD,WLD,6-HOLE,1/2"NPT,SS	203.50
21500024	MANIFOLD,BLOCK,3-HOLE,7-DEG,SS	106.75
21550001	LINE,GREASE,CARR,LS,EX,IDLER	24.25
21550002	LINE,GREASE,CARR,LS,ENT,IDLER	21.00
21550003	LINE,GREASE,CARR,RS,EX,IDLER	23.00
21550004	LINE,GREASE,CARR,RS,ENT,IDLER	20.00
22040019	BACKPLATE,STR,PRODUCER-MNT,SLT	Call For Price
22040021	NOZZLE-EXTENSION,DRYER-OUTLET,	Call For Price
22040022	SCREEN,DRYER-INL,RND,SST	Call For Price
22040023	INLET-CONE,DRYER,RND	Call For Price
22040024	BUSHING,DRYER-HUB,1X3/8",SST	Call For Price
22040025	HUB,DRYER-IMPIR,8-HOLE,SST	Call For Price
22040026	IMPELLER-WHEEL,DRYER,7.5HP,RH	Call For Price
22040027	IMPELLER-WHEEL,DRYER,7.5HP,LH	Call For Price
22040028	IMPELLER-WHEEL,DRYER,10HP,RH	Call For Price
22040029	IMPELLER-WHEEL,DRYER,10HP,LH	Call For Price
22040030	IMPELLER-WHEEL,DRYER,15HP,RH	Call For Price
22040031	IMPELLER-WHEEL,DRYER,15HP,LH	Call For Price
22040032	HOUSING,DRYER,RH,CMPST	Call For Price
22040033	HOUSING,DRYER,LH,CMPST	Call For Price
22040034	SCREEN,DRYER-OUTLET,SQ,SST	Call For Price
22040035	NOZZLE,DRYER-OUTLET,STD,CMPST	Call For Price
22040036	NOZZLE,DRYER-OUTLET,RND,CMPST	Call For Price
22040037	NOZZLE,DRYER-OUTLET,DUAL,CMPST	Call For Price
22040038	SILENCER,DRYER,CONE,FGL	Call For Price
22040041	BACKPLATE,SWIVEL,PRODUCER-MNT,	Call For Price
22050001	SPRING,1.25LG,.688OD,.50ID,302	7.00
22050002	SPRING,1.25LG,.72OD,.576ID,302	7.00
22050003	SPACER,.5LG,.75OD,.38ID,NYLON,	2.00
22050004	SPRING,1.75LG,.72OD,.55ID,302S	7.00
22050005	FOAM,INSULATOR,BIG-SHOT,3"X3"X	20.00
22050006	FOAM,INSULATOR,PHOTO-EYE-HSG	18.00
22050007	SPACER,3"LG,5/16"ID,3/4"OD,NYL	3.00
22050008	FOAM,ARCH-FACE,LWR-HP,BLK,DBL-	75.00
22050009	FOAM,ARCH-FACE,MID-HP,BLK,DBL-	45.00
22050010	FOAM,ARCH-FACE,LWR-LP,BLK,DBL-	75.00
22050011	FOAM,ARCH-FACE,MID-LP,BLK,DBL-	45.00
22050012	SLEEVE,COMP,1/2"ID,PLSTC,HDPE	21.00
22050013	ADAPTER,INP-FLANGE,GRBX	83.00
22050015	FOAM,ARCH-FACE,LS-OUT	111.25
22050016	FOAM,ARCH-FACE,RS-OUT	111.25
22050017	FOAM,ARCH-FACE,LS-MID	156.25
22050018	FOAM,ARCH-FACE,RS-MID	156.25
22050019	COLLAR,SPLIT,1"ID,SST	22.00
22050020	COLLAR,HALF-SPLIT,20MM-ID,SST	115.00
22050021	FOAM,SHEET,ARCH-CNCL,NPRN,GRY	107.50
22050022	FOAM,CONVOLUTED,2"X43"X37.23",	100.00
22050023	FOAM,CONVOLUTED,2"X43"X33.5",B	110.00
22050026	FOAM,ARCH-FACE,LWR,LS,BLK,HYPF	85.00
22050027	FOAM,ARCH-FACE,LWR,RS,BLK,HYPF	72.00
22050028	FOAM,ARCH-FACE,MID,LS,BLK,HYPF	53.00



2026 PICTORIAL PARTS BOOK

PROFILE

XP
PROFILE

APEX
PROFILE

Item Number	Item Description	Price (\$)
22050029	FOAM,ARCH-FACE,MID,RS,BLK,HYPF	53.00
22060001	CAP,1x1",PLSTC,BLK	0.75
22060002	HUB,BRUSH,4"H,PLSTC	Call For Price
22060003	CLIP,BRUSH,HUB-INSR,PLSTC	Call For Price
22060004	PLATE,RTNR,BRUSH,STL	Call For Price
22060005	SPACER,FOAM,BRUSH,2"X7",BLK	Call For Price
22060006	SPACER,FOAM,BRUSH,3"X7",BLK	Call For Price
22060007	SHAFT,SIDE-BRUSH,AL,85.875	Call For Price
22060008	SHAFT,TOP-BRUSH,AL,110"	Call For Price
22060009	BRUSH,INDV,4MM,4"X31",BLUE	6.75
22060010	BRUSH,INDV,4MM,4.5"X31.5",BLUE	6.75
22060011	BRUSH,INDV,4MM,4.5"X27.5",BLUE	6.00
22060012	BRUSH,INDV,4MM,4"X35.5",BLUE	8.00
22060013	BRUSH,INDV,4MM,4.5"X40",BLUE	9.00
22060014	BRUSH,INDV,4MM,4"X42.5",BLUE	5.50
22060015	BRUSH,INDV,4MM,4"X49.5",BLUE	7.00
22060024	BRUSH,INDV,4MM,4"X40",BLUE	5.00
22060025	BRUSH,INDV,4MM,4"X43",BLUE	5.50
22060026	BRUSH,INDV,4MM,4"X47",BLUE	6.00
22060071	HOUSING,RO-MEMBRANE,4"X40",FGL	295.00
22060072	SPACER,FOAM,BRUSH,4"X7",BLK	14.00
22910-FB	Compression Fitting, Straight	3.00
22913-PB	Tube Fit Male 1/4T x 1/8npt	7.00
22914-PB	Tube Fit Male 1/4T x 1/4npt	6.25
22925-PB	Tube Fit 3/8T x 1/4npt	5.25
22927-PB	Tube Fit 3/8 x 3/8npt	10.25
22928-PB	Tube Fit 3/8T x 1/4npt w/BV	31.00
22929-PB	Tube Fit 3/8T x 3/8fnpt	5.00
22930-NY	Tube Fit 3/8" Tee nylon	7.00
23010001	GEARBOX,50:1,1-5/16"SS-BORE,NO	1031.25
23010002	GEARBOX,25:1,1"SS-BORE,NO-PNT,	683.00
23010003	GEARBOX,10:1,20MM-SHAFT	945.00
23030001	BEARING,NYLATRON,SPLIT,3/4"THK	56.60
23030002	BEARING,FLG,1-1/8"DIA,PLSTC	160.00
23030003	BEARING,4-BOLT-FLG,BRUSH-SHAFT	218.65
23030004	BEARING,SPLIT,DRIVE-SHAFT-SPRT	15.25
23030005	BUSHING,PWD,PIVOT,UHMW	44.75
23030006	BEARING,SPLIT,1"ID,NYLATRON	149.75
23030007	BUSHING,BEARING,2-1/8"ID,3.5"O	80.00
23056-PB	Tube Ftg, Union 1/2"T x 3/8"T	2.50
23060001	PULLEY,FIXED,1.25"OD,1/4"GRV,U	99.75
23060002	ROLLER,IDLER-PUL,5.38"DIA,CRG	198.00
23060-PB	Tube Fit Union 1/2" Composite	3.50
23090002	SHEAVE,3-GROOVE,3.5"TPR-BORE,6	247.00
23120002	SHAFT,HOLLOW,1-3/16DIA	352.50
23120003	SHAFT,BEARING,ARCH-ROLLUP,1",3	163.50
23120004	SHAFT,DRIVE,ARCH-ROLLUP,1",303	456.00
23120005	SHAFT,GRBX,ARCH-ROLLUP,1",303S	232.75
23120006	SHAFT,ECCENTRIC,1",SIDE-ARM,SS	160.50
23170-FB	Compression Fitting, Elbow	5.00
23180002	ROLLER,SPRT,SHAFT,SST,10106-1A	67.00
23180003	ROLLER,SPRT,SHAFT,SST,10106-2A	100.25
23180004	ROLLER,SPRT,SHAFT,SST,10106-3A	95.00

Item Number	Item Description	Price (\$)
23180005	ROLLER,SPRT,RLR-CASE,UHMW,10106-1A	48.00
23180006	ROLLER,SPRT,RLR-CASE,UHMW,10106-2A	68.00
23180007	ROLLER,SPRT,RLR-CASE,UHMW,10106-3A	82.25
23180008	ROLLER,SPRT,END-STOP,UHMW,10106-1/2/3A	46.00
23180009	ROLLER,SPRT,SHAFT,SST,10110-1A	132.00
23180010	ROLLER,SPRT,RLR-CASE,UHMW,10110-1A	99.75
23180011	ROLLER,SPRT,END-STOP,UHMW,10110-1A	94.25
23180012	ROLLER,SPRT,ASSY,CRG-E-CHAIN,F	269.75
23180013	ROLLER,SPRT,SHAFT,SST,23180012	79.00
23180014	ROLLER,SPRT,RLR-CASE,UHMW,2318	81.50
23210001	BELT,3V-BAND,68",BX65,COGGED	117.50
23210003	BELT,3V-BAND,67"OD,BX64,COGGED	120.00
23225-PB	Tube Fit Male Swvl 1/4Tx1/4npt	4.00
23237-PB	Tube Fit Swivel 3/8Tx1/4mpt	15.00
23239-PB	Tube Fit Male Swvl 3/8Tx3/8npt	18.00
23240001	GUARD,SPLASH,PMP-STN,1/4"THK,A	60.00
23240003	COVER,PHOTO-EYE-HSG,STOP-BU,SS	35.75
23240004	COVER,PHOTO-EYE-HSG,UC,SST	17.00
23240012	PLATE,SAF,BR-ROT,304SST	32.50
23242-PB	Tube Fitting 1/2Tx1/2npt nylon	7.50
23243-PB	Tube Ftg, Elbow 1/2"T x 1/4"np	7.75
23245-PB	Tube Fit Elbow 1/2T x 1/2npt	7.50
23247-PB	Tube Ftg, 1/2"Tx3/8"NPT 90deg	7.75
23256-PB	Tube Ftg, 1/2Tx1/2Tx1/4T	24.00
23260-PB	Tube Ftg, Tee 1/4"mpt x 1/2"T	8.50
23914	Pressure Gauge, 0-100 psi R.O.	45.00
23920	Gauge 0-160psi 1/8cbm 1-1/2	22.00
23936	Pressure Gauge, 0-300psi R.O.	31.00
24000	Gauge 0-2000psi 1/4cbm Liq.	32.00
25035	FILTER,AIR,5 MICRON,1/4NPT	61.00
25036	FILTER,AIR,3 MICRON,1/4NPT	95.00
25037	BRACKET,FILTER,MODULAR/JOINER	9.80
25049	Regulator 1/4 Mini 125psi	119.00
25050	Regulator 3/8"	154.00
25199	Bracket Regular Mini	22.00
25200	Bracket Regulator 3/8"	28.00
25205	REGULATOR,AIR,EL PNEU,4-20MA	388.51
25210	BRACKET,REGULATOR,AIR,EL PNEU	16.75
280-120	Wago Screw Driver, Metal	15.50
28894	Contactactor 9A 24vac (Tele)	88.75
28894-AB	Contactactor 9A 24vac AB	193.25
28916-24AB	Contactactor 12A 24vac - AB	270.00
28994	Contactactor 32A 24v 50/60Hz Coil	164.00
29091	Contactactor 80A 24vac (Tele)	316.25
29095-24	Contactactor 50A 24vac (Tele)	273.00
29097	Contactactor, 9A 24VAC Siemens	55.00
29391-AB	Overload Relay 1-5A - AB	135.75
29396	Overload Relay 63-80A	131.50



2026 PICTORIAL PARTS BOOK

PROFILE

LX
PROFILE

APEX
PROFILE

Item Number	Item Description	Price (\$)
29402	Overload Relay 23-32 A- LC1D32	68.00
29405	Overload Relay 37-50	109.50
29408-AB	Overload 3.2-16A AB	135.75
29412	Overload Relay 16-24A (Tele)	68.00
29908	Switch Float 1/4 Bung	53.00
29994	Switch Push Button 22mm, Black	6.75
29999-2POS	Switch Selector Key 7/8 2pos	26.50
29999-3POS	Switch Selector Key 7/8 3pos	26.50
2P808	1/2" 80 Mesh Y-Strainer	54.50
2P810	1" 80 Mesh Y-Strainer BR	125.00
30000	Key, Square D Key Switch	29.00
30004	Switch, Push/Pull E-Stop	21.00
30005	Switch, Push/Pull E-Stop (AB)	110.75
30007	Switch, Push/Pull Black SQD	33.75
30010001	ENCL,ASSY,PMP-STN,FR-PNL,5.5X9	520.25
30010002	ENCL,ASSY,CARR,12X10",RZR	575.50
30010003	ENCL,ASSY,TRLY,6X8",RZR	376.75
30010004	ENCL,ASSY,BAY,12x10",RZR	444.50
30010005	ENCL,ASSY,PWR-SPLY,SR,RZR	606.75
30010006	ENCL,ASSY,HYPER-FLEX-OPT,RZR	368.75
30010007	ENCL,ASSY,CRG-BAY-BOX,LXR	658.00
30010008	ENCL,ASSY,PMP-STN,FR-PNL,LXR	354.25
30010009	ENCL,ASSY,LS-CRG,LXR	529.00
30010010	ENCL,ASSY,RS-CRG,LXR	566.25
30010011	ENCL,ASSY,LS-CRG,APEX	843.50
30010012	ENCL,ASSY,RS-CRG,APEX	797.75
30010013	ENCL,ASSY,CRG-BAY-BOX,APEX	713.25
30010014	ENCL,ASSY,PMP-STN,FR-PNL,APEX	420.00
30010015	ENCL,ASSY,208V,MOT-STARTER,HYP	1734.50
30010016	ENCL,ASSY,460V,MOT-STARTER,HYP	699.00
30010017	ENCL,ASSY,575V,MOT-STARTER,HYP	699.00
30010018	ENCL,ASSY,415V,MOT-STARTER,HYP	903.00
30020025	KIT,WIRE,PWR-CORD,RO	44.25
30030001	KIT,ASSY,PC,RASP-PI,UCC	412.25
30093	Contact Block, N.C. - SQD	13.00
30093-BASE	Base, Contact Block - SQD	4.50
30094	Contact Block, 1 NO	11.50
30098	Contact Block, 1 NC - AB	47.50
30099	Contact Block, 1 NC	11.75
30110001	ENCL,ASSY,CHEM-ALERT,6X8",FGL	355.75
30789	Joystick Operator, 4-pos	208.25
30907	Relay SPDT 10A 24vac Coil	9.50
30913	Relay SPDT 10A 24vdc Coil	8.00
30927	Relay DPDT 10A 24vac Coil	23.75
30928	Relay, SPDT 24vac 8 BL Siemens	16.50
30929	Relay Base, SPDT 24vac Siemens	8.00
30995	Relay Socket 5 BL	6.91
31000	Relay Socket 14 BL	8.25
31010001	MOTOR,1/2HP,208/230VAC,IEC71L-	398.00
31010006	MOTOR,STEPPER,1.8DEG,NEMA34,2P	540.25
31019	Relay Socket 11-pin Carlo	18.50
31030001	MOTOR,1HP,230/460V,3PH,1745RPM	581.50
31060001	MOTOR,7.5HP,230V,60HZ,3PH	Call For Price
31060002	PRODUCER,FIXED,5HP,60HZ	Call For Price

Item Number	Item Description	Price (\$)
31090001	MOTOR,1/8HP,230/460V,60HZ,3PH,	1089.00
31140001	MOTOR,40HP,230/460V,60HZ,3PH,B	4500.00
31200001	CONTACTOR,12A,24VAC,NO-SPRG,SI	66.25
31220001	CONTACTOR,24VAC/VDC,115A,3P,50	663.00
31400001	DRIVE,VAR-FREQ,1/2HP/0.37KW,1P	434.00
31400002	DRIVE,STEPPER,20-80VDC,NEMA23/	722.50
31410001	DRIVE,VAR,3/4HP & 1HP,SIEM	516.00
31420001	DRIVE,VF,1HP,240VAC,3PH,PF523-	1019.00
31420002	DRIVE,VF,1HP,200-240VAC,1PH,PF	1150.00
31430001	DRIVE,VF,2HP,240VAC,3PH,PF523-	1275.00
31460001	MOT-STR,SOL-STATE,REVRSG,24VDC	300.00
31520001	OVERLOAD,250VAC,0.8-12A,3P	75.75
31540001	OVERLOAD,1000V,50-200A,3P,50/6	375.75
31580001	CIR-BRKR,4A,1P,C-TRIP,L9-4/1/C	27.25
31590001	CIR-BRKR,10A,1P,C-TRIP,SS	19.75
31590002	CIR-BRKR,6A,1P,C-TRIP,L9-6/1/C	27.25
31590003	CIR-BRKR,10A,1P,C-TRIP, L9-10/	27.25
31590004	CIR-BRKR,7A,1P,C-TRIP, L8-7/1/	19.75
31590005	CIR-BRKR,2A,1P,C-TRIP, L8-2/1/	19.75
31590006	CIR-BRKR,6A,1P,C-TRIP, L8-6/1/	19.75
31600001	CIR-BRKR,15A,1P,C-TRIP,L9-15/1	27.25
31640001	CIR-BRKR,4A,2P,D-TRIP,L9-4/2/D	84.50
31650001	CIR-BRKR,,10A,2P,C-TRIP, L9-10	54.25
31660001	CIR-BRKR,13A,2P,D-TRIP, L9-13/	62.50
31730001	PROTECTOR,CIRCUIT,4.5-6.3A,3P,	204.00
31760001	FUSE,3A,ATO-3	1.13
31770001	FUSE,7.5A,ATO-75	1.00
31850001	FILTER,PROT,HYDRO-PHBC,PWD-MTR	53.00
31915	Thermostat, Profile UCC	35.50
32010001	XFMR,75VA,120/240VAC-24VAC,1PH	112.50
32050001	MODULE,PWR-SPLY,4-CHAN,24VDC,0	232.25
32050002	PWR-SPLY,24VDC,151.2W,IP67,CL2	121.75
32050003	PWR-SPLY,24VDC,151W,47-63HZ,IP	140.00
32050004	MODULE,PWR-SPLY,4-CHAN,24VDC,1	276.00
32060001	PWR-SPLY,48V,AC/DC,480W,10A	277.25
32070001	PWR-SPLY,12VDC,35W,IP67,CL2	60.00
32110001	DISCONNECT,SWITCH,600V,100A,3P	456.75
32640002	KEY,UCC,UNIVERSAL	40.25
32710001	CONTACT,BLOCK,NO,SQD	9.25
33020001	PLC,CPU-1215,14DI/10DO/2AI/2AO	1866.25
33120001	ANALOG,I/O,24VDC,60MA,4INP-2OU	759.00
33190002	SWITCH,ETHERNET,5-PORT,18-30V,	217.75
33225-A	Cable, 6 Cond. Audio Preassemb	31.00
33240001	CARD,MEMORY,SD,24MB,SIMATIC	569.25
33250	CABLE,REGULATOR,AIR,EL PNEU	80.25
33250001	DISPLAY,HMI,7"SCRN,24V,TFT	1430.25
33255	Cord Temperature Probe 50'	69.00
33259	Cord Prox 2m 90deg	11.75
33263	Cord Prox 90deg 5m	17.50
33270	Cord, Prox 15m 90deg P&F	24.25
33270004	ROUTER,REM-ACCESS,EXP,EWON,COS	1295.00
33272	Cord, P&F Sonar 15m	73.25
33276-L	E-Chain Linkage KR190 KS	18.00
33276-SL	E-Chain Linkg w/Slot KR190 KS	15.00



2026 PICTORIAL PARTS BOOK

PROFILE

LXP
PROFILE

APEX
PROFILE

Item Number	Item Description	Price (\$)
33277-C	Crosslink, KS KR130	15.00
33281-L	E-Chain Linkage Igus 27.07.200	15.00
33283	E-Chain Igus - Carriage	1231.75
33283-A	E-Chain Assembly	3329.75
33283-C	E-Chain Crosslink Igus 450.10	6.50
33283-D	E-Chain Divider Igus 401	3.25
33283-E	E-Chain End Mnt Igus	80.00
33283-L	E-Chain Linkage Igus E4.56.01	18.50
33283-P	E-Chain Pivot Igus E4.56.02.20	16.00
33284-C	E-Chain Crosslink, Igus 450.25	13.00
33285	E-Chain Divider KS	0.75
33287	E-Chain Crosslink 5.22" KS	4.25
33289-S	Festoon Connector Clamp SS	48.00
33290001	DRIVE,FLASH,USB-3.0,16GB	53.00
33290002	CARD,MICRO-SD,16GB,UHS-1	130.00
33291	Festoon Cable Clamp Stationary	33.00
33292-S	Festoon Track Rail SS 13'.124	322.00
33293	Festoon Roller f/Rail	37.00
33294-S	Festoon Support Bracket SS	40.00
33300002	BOARD,CONTROLLER,RO	925.00
33300-A-DS/LS	E-Chain, Profile Igus LS Preas	6676.00
33300-A-PS/RS	E-Chain, Profile Igus RS Preas	6632.75
33301	E-Chain, Igus Side Brush	186.00
33302	E-Chain, Igus Wheel Scrubber	401.35
33303	E-Chain, Igus Top Brush	121.00
33365	Cable, 4 Cond. 18 ga Chainflex	3.50
33381	CABLE,18-COND,378"LG,CRG,CF05-	386.00
33382	CABLE,18-COND,133"LG,TRLY,RS,C	120.00
33400001	SPEAKER,AUDIO,24VDC,16-MESSAGE	600.00
33460002	REMOTE,TRANSMITTER,6-FUNC,LXR	246.12
33460003	REMOTE,TRANSMITTER,8-FUNC,APEX	428.05
33510001	SENSOR,PELEC,EMITTER,10-30VDC,	88.00
33510002	SENSOR,PELEC,RCVR,10-30VDC,25M	120.25
33510003	SENSOR,PELEC,EMITTER,18M-RNG	46.00
33510004	SENSOR,PELEC,RCVR,40M-RNG	65.00
33510005	SENSOR,PELEC,12MM,EMITTER	254.00
33510006	SENSOR,PELEC,12MM,RCVR	374.50
33530001	SENSOR,ULTRSN,30MM,ANLG-4-20M	534.00
33530003	SENSOR,ULTRSN,30MM,4-20MA,STR,PLSTC,LH-SIDE	583.75
33530004	SENSOR,ULTRSN,30MM,4-20MA,STR,PLSTC,RH-SIDE	583.75
33530005	SENSOR,ULTRSN,30MM,4-20MA,STR,PLSTC,RZR-REAR	583.75
33530006	SENSOR,ULTRSN,30MM,4-20MA,STR,PLSTC,PRO-TOP	583.75
33560001	SENSOR,LEVEL,90DEG,20-30VDC,IF	261.25
33570002	SENSOR,STRING-POT,PRGMD,ARCH,F	1845.00
33570003	SENSOR,STRING-POT,PRGMD,TOP-BR	1800.00
33610001	SENSOR,CNDCT,TDS-METER	85.00
33789	Grounding Lug 14-4awg Copper	7.50
33800	Enclosure 6 x 8	122.25
33801	Panel 6 x 8	30.50
33802	Enclosure 12 x 10	162.75

Item Number	Item Description	Price (\$)
33803	Panel 12 x 10	30.00
33904	Enclosure 3 x3 x2.6 Poly w/Cvr	45.50
33914	Enclosure 5.5x9 Poly w/1" Cvr	153.00
33939	Enclosure 220x300x150 pvc J3	320.00
33944	Enclosure 220x170x80 J4	190.00
33949	Enclosure 15 x 11 Poly J2	425.75
33959	Enclosure Poly 10 x 7 J6	170.00
33961	Window Kit Poly f/IB Washview	388.00
34130001	JUMPER,STRIP,20W,36A,250V,BLUE	2.75
34130002	JUMPER,STRIP,20W,36A,250V,RED	2.75
34150001	CAP,END,FUSE-TERM,WAGO	1.50
34160001	CAP,END,TERM,32-CONN,WEID	1.75
34160002	TERMINAL,PYRAMID,32-CONN,WEID	41.00
34200003	COIL,VALVE,1"NC,24V,50-60HZ,DE	51.50
34200004	COIL,VALVE,1"NO,24V,50-60HZ,DE	58.65
34200005	COIL,ACTUATOR,24VAC,NC,L-SWITC	139.25
34210004	E-CHAIN,CRG,201.5"LG,IGUS,E4-8	1590.00
34210006	E-CHAIN,CRG,INS,APEX	1616.00
34210007	E-CHAIN,CRG,OUT,APEX	2589.50
34210008	E-CHAIN,TOP-ARCH,APEX	621.75
34210009	E-CHAIN,SIDE-BR,APEX	79.50
34210010	E-CHAIN,TOP-BR,49-LINKS	72.75
34220001	LINK,E-CHAIN,INS-PIVOT,HYPFLX,	34.00
34220002	LINK,E-CHAIN,END-MNT,TRLY,MALE	36.25
34220003	LINK,E-CHAIN,END-MNT,TRLY,FEMA	36.25
34220007	LINK,E-CHAIN,OUT-STA,CRG,RZR,E	21.00
34220008	LINK,E-CHAIN,INS-PIVOT,CRG,RZR	21.00
34350001	CABLE,PRO,20AWG,534",25-COND,L	860.25
34350002	CABLE,PRO,20AWG,378",25-COND,L	629.50
34350003	CABLE,PRO,18AWG,534",25-COND,L	866.47
34350004	CABLE,PRO,18AWG,378",18-COND,L	531.50
34350005	CABLE,PRO,20AWG,378",25-COND,R	629.50
34350006	CABLE,PRO,20AWG,534",25-COND,R	841.50
34350007	CABLE,PRO,18AWG,378",25-COND,R	590.00
34350008	CABLE,PRO,18AWG,534",18-COND,R	709.00
34350009	CABLE,25-COND,20AWG,SHLD,600V,	17.25
34350010	CABLE,25-COND,18AWG,SHLD,600V,	18.25
34350011	CABLE,LXR,LS,18-COND,20AWG,YEL	724.00
34350012	CABLE,LXR,LS,18-COND,20AWG,GRN	365.00
34350013	CABLE,LXR,LS,18-COND,18AWG,RED	668.00
34350014	CABLE,LXR,LS,7-COND,18AWG,BLU,	237.00
34350015	CABLE,LXR,RS,18-COND,20AWG,YEL	414.75
34350016	CABLE,LXR,RS,18-COND,20AWG,GRN	535.00
34350017	CABLE,LXR,RS,18-COND,18AWG,RED	457.00
34350018	CABLE,LXR,RS,7-COND,18AWG,BLU,	269.25
34350020	CABLE,APEX,LS,36-COND,18AWG,RE	1709.75
34350021	CABLE,APEX,LS,36-COND,18AWG,GR	1228.00
34350022	CABLE,APEX,LS,25-COND,17AWG,BL	1069.75
34350024	CABLE,APEX,RS,36-COND,18AWG,RE	1295.75
34350025	CABLE,APEX,RS,36-COND,18AWG,GR	1745.00
34350027	CABLE,APEX,ARCH,4-COND,14AWG,2	190.50
34350028	CABLE,7-COND,18AWG,SHLD,600V,C	7.75
34350029	CABLE,18-COND,18AWG,SHLD,600V,	15.75
34350030	CABLE,18-COND,20AWG,SHLD,600V,	14.00



2026 PICTORIAL PARTS BOOK

PROFILE

XP
PROFILE

APEX
PROFILE

Item Number	Item Description	Price (\$)
34350031	CABLE,25-COND,17AWG,SHLD,600V,	24.75
34350032	CABLE,36-COND,18AWG,SHLD,600V,	28.00
34350033	CABLE,APEX,RS,25-COND,20AWG,YE	609.75
34350034	CABLE,APEX,RS,25-COND,18AWG,BL	902.00
34350035	CABLE,APEX,LS,25-COND,20AWG,YE	813.50
34350036	CABLE,APEX,LS,25-COND,18AWG,BL	649.75
34350037	CABLE,APEX,534",18AWG,36COND,L	1275.00
34350038	CABLE,APEX,391",18AWG,36COND,L	938.75
34350039	CABLE,APEX,534",20AWG,25COND,L	771.00
34350040	CABLE,APEX,391",18AWG,25COND,L	613.00
34350041	CABLE,APEX,391",18AWG,36COND,R	938.75
34350042	CABLE,APEX,534",18AWG,36COND,R	1275.00
34350043	CABLE,APEX,391",20AWG,25COND,R	568.50
34350044	CABLE,APEX,534",18AWG,25COND,R	830.50
34420001	CORD,SENSOR,5-WIRE,90-DEG,5M-L	30.00
34440001	CONN,WIRE,SOL-VLV,2-COND,54"LG	8.00
34440002	CONN,DIN,2-COND,18GA,11"LG	24.25
34440003	CONN,DIN,2-COND,18GA,15M-LG	42.75
34440004	CONN,DIN,2-COND,18GA,78"LG	13.19
34440005	CONN,DIN,2-COND,18GA,300"LG	84.25
34450001	RELIEF,STRAIN,25MM-NPT,9-16MM,	8.00
34600001	LED,STRIP,2-LT,WHT,12VDC	2.25
34630001	LED,STRIP,QUAD-ROW,RED,24VDC,2	495.00
34630002	LED,STRIP,QUAD-ROW,GREEN,24VDC	495.00
34630003	LED,STRIP,QUAD-ROW,BLUE,24VDC,	495.00
34630004	LED,STRIP,QUAD-ROW,PINK,24VDC,	495.00
34630005	LED,STRIP,QUAD-ROW,24VDC,28MM,GREEN	59.00
34630006	LED,STRIP,QUAD-ROW,24VDC,28MM,RED	59.00
34630007	LED,STRIP,QUAD-ROW,RED,28MM,24	320.00
34630008	LED,STRIP,QUAD-ROW,GREEN,28MM,	320.00
34630009	LED,STRIP,QUAD-ROW,BLUE,28MM,2	320.00
34630010	LED,STRIP,QUAD-ROW,PINK,28MM,2	320.00
34894-1/2	Conduit, 1/2" Flexible Non-Met	2.75
34895-3/4	Conduit, 3/4" Flexible Non-Met	3.50
34896-1	Conduit, 1" Flexible Non-Met	4.50
34969	Conduit Connector 1/2" Str.	3.50
34970	Conduit Connector 3/4" Str.	6.00
34972	Conduit Connector 1" Str.	8.25
34973	Conduit Connector 1/2" Adjust	11.00
34977	Conduit Connector 1" 90 deg.	8.75
35042	Locknut 1/2"	1.25
35061	Knockout Adaptor 1 x 3/4	1.25
35062	Knockout Adaptor 1-1/2 x 1	2.75
35287	Strain Relief 1/4npt w/Nut Ins	2.50
35290	Strain Relief PG11 w/Nut	2.50
35291	Strain Relief PG13 w/Nut	3.61
35295	Strain Relief M20 x1.5 w/Seal	4.00
35304	Strain Relief 1/2 .31-.56 Cord	3.75
35306	Strain Relief .688 - .812	17.50
35950-2	Fuse, 2A Littlefuse ATO-2	1.30
3610	Analog Input 4 pt. 1762-IF4	1068.50
3629	PLC Base 1764 24 BWA	2000.00

Item Number	Item Description	Price (\$)
3632	PLC 1764 LRP	1400.00
3637	Memory Module 1764 MM2RTC	1540.00
3637-R	Battery Replacement,Memory Mod	175.00
36429-SM	Circuit Breaker, 2A 1P Siemens	56.00
36432-SM	Circuit Breaker, 4A 1P C Trip	66.75
36435	Circuit Breaker 3A 1-pole	198.00
36436-MG	Circuit Breaker 6A 1P D Curve	163.75
36440	Circuit Breaker, 9A-12.5A Siem	225.00
36441	Circuit Breaker, 2.8A-4A Sieme	172.75
36444-MG	Circuit Breaker 13A 1P D Curve	153.75
3645	Module End Cap 1769 ECR	102.25
36458-SM	Circuit Breaker, 10A 2P Siemen	116.00
36464-SM	Circuit Breaker, 13A 2P D Trip	134.00
36475-MG	Circuit Breaker 4A 3P D-Trip	407.75
36477-MG	Circuit Breaker 6A 3P D-Trip	473.25
36477-SM	Circuit Breaker, 6A 3P C Trip	216.00
36480-AB	Circuit Breaker 10-16A 3P	452.25
36482-AB	Circuit Breaker 16A 2-pole	306.75
36482-SM	Circuit Breaker, 16A 2P Siemen	133.75
3650	AnalogCard 17691F4XOF2	1805.75
3651	InputCard 16pt 1769 IQ16	716.75
36556-MG	Circuit Breaker 6A 2P - AB	295.50
36556-SM	Circuit Breaker, 6A 2P D Trip	216.00
3659	OutputCard 16pt 1769 OB16	942.50
3672	PLC 1400 DC In Relay Out RZR2	2444.25
3673	PLC ML1400 L32BWAA (RZR3)	3045.75
3674	Memory Module 1400	580.00
3676	Input Card 1400 16pt	642.75
3678	Output Module 1400 16pt	779.25
3680	Analog Module 1400	1636.00
3682	HMI Touch Panel 5.7" Color	1614.25
3682-B	HMI, Back Module, No Screen	1250.50
3682-F	HMI, Face Only	1026.25
36898-D	Motor 0.5hp B5 1800rpm	423.25
36902-T	Motor 1.3hp 1800rpm Trolley	565.80
36905	Motor .37kW, 1/2hp Carr/Trlly	443.00
36907	Motor .75hp Carrg/OBD w/Cplg	1068.50
36910	Motor 10hp TEFC Dryer	2395.00
36911	Motor 15hp TEFC Dryer	2604.00
36917	Motor, 1/2HP 208-230/460 3PH 1	385.00
36919-A	Motor 25hp 284T 1760 230/460 3	3059.00
36922	Motor, 3/4HP 208-230/460 3PH 1	410.00
36924	Motor, Wheel Scrubber	1100.00
36929	MOTOR,25HP,575V,60Hz,WEG	2673.00
36930	MOTOR,15HP,208/460/380,50/60Hz	2010.00
3705	PLC, Siem. CPU 1215	1291.25
3710	PLC, Siem. CPU 1214	854.50
3720	I/O Module, SM1223	608.00
3725	Card, Siem. Output SM1222	384.00
3730	Card, Siem. Analog SM 1231	816.25
3735	Card, Eth. Comm. CSM 1277	338.25
37402-AB	Power Supply AB-24vdc 2.1A	251.00
37403	Power Supply 12vdc, 75W	88.75
37409	Transformer, 208/24 HV/Razor	330.75



2026 PICTORIAL PARTS BOOK

PROFILE

XP
PROFILE

APEX
PROFILE

Item Number	Item Description	Price (\$)
37410	Transformer, Buck Boost 250VA	283.25
37412	Transformer, Buck Boost 750VA	639.75
37415	Transformer, Buck Boost 1KVA	647.75
37450	Power Supply, 24VDC/5A Siemens	233.53
37455	Power Supply, 12VDC/4.5A Sieme	165.00
3750	Card, Memory SD Flash 4MB SIMA	139.75
37620	Drive, VFD 1HP 1PH SIMATIC	350.00
37628	PLATE, MOUNT, V20 A/B, SINAMICS	12.75
37789	Heater Strip 1x 3" 24vac 7.5w	33.00
37791	Heater Strip 1x 123" 120v 185w	171.50
37793	Heater Strip 1x 22" 24vac 80w	47.00
37801	Heater Strip 1x 300" 220v 450w	374.00
38498	Junction Box Outdoor 2 x 4	14.50
38502	Cover Plate Weatherproof Blank	4.50
38690	Cooling Fan, 110VAC Profile UC	485.00
40010004	KIT, E-CHAIN, CRG, TCF, RZR	175.50
40010005	KIT, E-CHAIN, CRG, FNF, RZR	223.00
40010006	E-CHAIN, ASSY, RS, CRG, BASE, RZR	3705.50
40010007	E-CHAIN, ASSY, LS, CRG, BASE, RZR	3705.50
40010008	E-CHAIN, ASSY, RS, TRLY, RZR	1100.75
40010009	E-CHAIN, ASSY, LS, TRLY, RZR	1100.75
40010010	E-CHAIN, ASSY, HYPRFLX, RZR	1998.75
40010019	E-CHAIN, ASSY, RS, TRLY, DBL-BRL, R	1172.25
40010020	E-CHAIN, ASSY, LS, TRLY, DBL-BRL, R	1156.00
40010027	E-CHAIN, ASSY, SIDE-ARM, LS, APEX	1499.00
40010028	E-CHAIN, ASSY, SIDE-ARM, RS, APEX	1499.00
41000001	ELBOW, PIPE, 1-1/2" NPT, BR	56.50
41030002	NIPPLE, 3/4NPTX8" LG, SCH80, PVC	7.25
41030003	NIPPLE, 3/4NPT, CLOSE, SCH80, SST	12.50
41050001	TEE, THRD, 3/4NPT, SCH80, FGD, SST	52.75
41050002	TEE, PUSH-LOC, 1/2", PLSTC	10.00
41070001	HOSEBARB, 1/2" HX3/4NPT, BR	14.00
41110001	COUPLING, FULL, 1-1/2NPT, SST	24.00
41110004	COUPLING, FULL, 1/2", SST	6.00
41140001	FITTING, TUBE, SWVL-ELB, 1/4TX3/8	4.25
41150001	FITTING, Y-BR, 3/8" T, PLSTC, PUSH-	6.50
41150002	CROSS, CONN, 3/4NPT, SST	32.25
41150003	FITTING, STR, 1/2TX3/8NPT, PLSTC,	6.00
41150004	FITTING, TEE, 1/2X1/2X3/8, PLSTC,	8.50
41150005	REDUCER, STEM, 1/2" TX3/8" T, PLSTC	7.50
41150006	FITTING, STR-ADPTR, 1/2TX3/4NPT,	132.50
41150007	FITTING, COMP-TEE, 1/2" T, PLSTC, W	18.00
41150009	FITTING, ELBOW, 1/2TX1/2STEM, PLS	13.00
41150010	FITTING, Y-BR, 1/2X3/8X3/8, PLSTC	13.00
41150011	FITTING, ELBOW, 3/8TX3/8STEM, PLS	7.75
41150012	FITTING, Y-BR, 1/2" T, PLSTC, PUSH-	10.50
41150014	FITTING, STR, 3/8STEMX1/4T, PLSTC	4.00
41150018	FITTING, ELB, 3/8" TX1/2" NPT, PLST	8.00
41150019	FITTING, TEE, 1/2" TX1/2" NPT, PLST	7.50
41300001	PLUG, HEX, #6-SAE, W/O-RING, SST	8.50
41340001	SWIVEL, 90-DEG, 1" NPT, SST, W/COUP	389.75
41340003	SWIVEL, STR, 3/4" NPT, SST	148.25
41400001	FITTING, TUBE, 90DEG, DBL-3/8TX1/	24.50
41400002	ADAPTER, RDCCR, HEX, 3/4NPTX1/2NPT	5.25

Item Number	Item Description	Price (\$)
41400003	ADAPTER, 1/4NPT, 10-DEG, SST	55.75
41400004	ADAPTER, STR, 1/4NPT, BRS	4.40
41400008	ADAPTER, 1/4NPT, 32-DEG, BRS	71.25
41400009	ADAPTER, SWIVEL, STR, 1/2" NPT, SST	80.25
41410001	CONNECTOR, STR, 3/4" T, PLSTC	14.00
41410002	FITTING, COMP, 3/4" TX3/4NPT, WHIT	9.00
41410003	FITTING, COMP, 3/4TX1/2NPT, WHITE	8.75
41410004	FITTING, COMP, ELBOW, 1/2T, WHT, PL	13.50
41410005	FITTING, COMP, STR, 1" TUBEX3/4" NP	121.75
41430001	FITTING, HYD, ADAPT, 3/4FMX3/4NPT	15.00
41430002	FITTING, HYD, ADAPT, 3/8FMX3/8NPT	37.00
41530001	HOSE, CORR, 1-1/2" X15.5" LG, 250PS	82.00
41530002	HOSE, POLYBRAID, 3/4" ID, 10'	33.25
41550001	HOSE, ASSY, 3/8" X30.50" LG, 300PSI	46.00
41550002	HOSE, ASSY, 3/8" X32.50" LG, 300PSI	42.00
41550003	HOSE, ASSY, 1/2" X41" LG, 300PSI, 1/	53.00
41550004	HOSE, ASSY, 1/2" X56" LG, 300PSI, 1/	62.75
41550005	HOSE, CORR, 2" DIA X16.13" LG, BLK	26.25
41550006	TUBING, VINYL, 3/4" ID X1" ODX 10' LG	38.00
41550007	HOSE, ASSY, 3/8" X42.50" LG, 300PSI	44.00
41550008	HOSE, ASSY, 3/8" X44.50" , 300PSI, 3	47.00
41550009	HOSE, ASSY, 3/4", 2000PSI, 3/4" SWV	79.00
41550010	HOSE, ASSY, 1/2" X69", 1000PSI, 1/2	68.25
41550011	HOSE, ASSY, 1" X11", 2000PSI, 1" MNP	144.00
41550012	HOSE, ASSY, 1" X211.5", 2000PSI, 1"	781.00
41550013	HOSE, ASSY, 1/2" X87", 1000PSI, 1/2	90.00
41550014	HOSE, ASSY, 1/2" X94", 1000PSI, 1/2	85.25
41550015	HOSE, ASSY, 1/2" X121", 1000PSI, 1/	153.00
41550016	HOSE, ASSY, 3/8" X108", 1000PSI, 3/	61.00
41550017	HOSE, ASSY, 3/8" X264", 1000PSI, 3/	112.85
41550018	HOSE, ASSY, 1/2" X125", 300PSI, 1/2	110.50
41550019	HOSE, ASSY, 3/4" X12", 2000PSI, 3/4	68.00
41550020	HOSE, ASSY, 3/4" X18.5", 2000PSI, 3	77.50
41550021	HOSE, ASSY, 3/4" X22", 2000PSI, 3/4	78.75
41550022	HOSE, ASSY, 3/4" X24.5", 2000PSI, 3	91.75
41550023	HOSE, ASSY, 3/4" X26", 2000PSI, 3/4	83.00
41550024	HOSE, ASSY, 3/4" X67", 2000PSI, 3/4	120.00
41550025	HOSE, ASSY, 3/8" X180", 1000PSI, 3/	120.00
41550026	HOSE, ASSY, 3/4" X142", 2000PSI, 3/	467.00
41550027	HOSE, ASSY, 3/4" X145", 2000PSI, 3/	365.00
41550028	HOSE, ASSY, 1" X12.88", 2000PSI, 1"	143.75
41550029	HOSE, ASSY, 1" X21.25", 2000PSI, 1"	130.75
41550030	HOSE, ASSY, 1" X292", 2000PSI, 1" SW	956.00
41550031	HOSE, ASSY, 3/8" X105.75", 1000PSI	74.50
41550032	HOSE, ASSY, 3/4" X64", 2000PSI, 3/4	116.75
41550033	HOSE, ASSY, 1" X180", 2000PSI, 1" MN	678.00
41550034	HOSE, ASSY, 1/2" X67", 2000PSI, 1/2	62.25
41550035	HOSE, ASSY, 1/2" X24.5", 2000PSI, 1	42.50
41550036	HOSE, ASSY, 3/4" X70", 2000PSI, 3/4	130.00
41570003	TUBING, POLY, 3/4" OD, BLU, 100FT-S	484.00
41570004	TUBING, POLY, 3/4" OD, BLU, 250FT-S	1210.00
41600002	PIPE, SST, 1" ID X4.75" LG, SCH40, 30	27.00
41937-28	Hose Assy, 3/8 x 1/4 x 28 L	33.50
41938-28	Hose Assy, 3/8 x 3/8 x 28 L	30.50



2026 PICTORIAL PARTS BOOK

PROFILE

XP
PROFILE

APEX
PROFILE

Item Number	Item Description	Price (\$)
41938-30	Hose Assy, 3/8 x 1/4 x 30 L	33.25
41939-41	Hose Assy, 3/8" x 41" OAL	31.00
42010001	PUMP,2HP,208-230/460,3PH,60HZ,	1695.00
42010002	PUMP,2HP,380V,3PH,50HZ,15ST	1875.00
42010011	PUMP,BOOSTER,2HP,230V,1PH,50/6	1567.00
42010012	PUMP,CAT,45GPM,1000PSI,3545SHS	Call For Price
42010013	PUMP,BOOSTER,1HP,380/415V,50HZ	1300.00
42090001	PUMP,SUMP,3/4HP,115V,SST	775.00
42200001	KIT,REBUILD,SEALS,CAT-2530,REQ	407.00
42200002	KIT,REBUILD,VALVE,CAT-2530,REQ	345.75
42230001	FILTER,SST-MESH,1"FNPT,PLSTC	98.50
42230002	FILTER,SST-MESH,3/4"FNPT,PLSTC	60.00
42280001	GAUGE,PRESS,0-1000PSI,1/4CBM,L	23.00
42280002	GAUGE,PRESS,0-3000PSI,1/4CBM,L	39.00
42790-22	Hose Assy, 1" x 22" OAL	86.25
42790-24.5	Hose Assy, 1" x 24.5" OAL	201.75
42791	Hose Assy, 1" x 18" OAL 2000psi	92.75
42800	Hose Assy, 1" x 43.5" OAL Swvl	202.00
42811	Hose Assy, 3/4" x 180" 2000psi	376.00
42812	Hose Assy 3/4x 69.5 JIC x mnpt	74.00
42813-40	Hose Assy, 1/2" x 40.5"	36.00
42815	Hose Assy, 3/4x211.5 2000psi	590.00
42820	Hose Assy, 3/4x268 Profile	665.00
42830	Hose Assy. 1/2" x 50" male swvl	60.50
42832	Hose Assy. 1/2" x 98" male swvl	72.50
42834	Hose Assy 1/2"x108.5" male swv	97.00
42836	Hose Assy. 1/2 x 1/2 x 15.75 O	48.50
42840	Hose Assy., 1/2" x 21" OAL PWD	53.50
42841	Hose, 1/2" x 1/2" x 38.5 OAL	50.75
42844	Hose Assy., 80" OAL WS	75.50
42845	Hose Assy. 3/8" x 17" OAL	52.50
42846	Hose Assy. 3/8" x 98" OAL	87.00
42847	Hose Assy. 3/8" x 50" OAL	81.75
42848	Hose Assy. 3/8" x 38.5" OAL	72.50
42849	Hose Assy. 3/8" x 60" OAL	72.75
42903	Spiral Wrap, 3/4"	6.00
43000001	NOZZLE,I-MEG,1/4",6506	9.75
43000003	NOZZLE,INSERT,10GPM,MOSMATIC	60.00
43000004	NOZZLE,I-MEG,1/4",15025	10.00
43000005	NOZZLE,MEG,1/4",15015	9.75
43030001	NOZZLE,FOAMING,SINGLE-STREAM,P	108.00
43060004	NOZZLE,ROTATING,2.0GPM,1/4NPT,	90.00
43060005	NOZZLE,ROTATING,3.0GPM,1/4NPT,	90.00
43060006	NOZZLE,ROTATING,4.0GPM,1/4NPT,	90.00
43060007	NOZZLE,ROTATING,5.5GPM,1/4NPT,	90.00
43060008	NOZZLE,ROTATING,7.0GPM,1/4NPT,	90.00
43080001	CAP,GIANT-NZL,RBR,BLU	6.00
43090001	KIT,REBUILD,INJECTOR,DEMA	8.50
43200001	FOAMER,ASSY,SST-MXR,PVC-HSG,3/	48.00
43210001	PAD,SCRUB,MXG-MATL,1/4PAD,SST	2.00
43210002	PAD,SCRUB,MXG-MATL,FULL,SST	8.00
43210003	PAD,SCRUB,MXG-MATL,.33,SST	2.75
43300003	INJECTOR,SINGLE,0.070,ORN,SST,	77.00
43300004	INJECTOR,SINGLE,0.057,RED,SST,	77.00

Item Number	Item Description	Price (\$)
43300005	INJECTOR,SINGLE,0.083,GREY,SST	77.00
43300006	INJECTOR,SINGLE,0.086,BLU,SST,	77.00
43300007	INJECTOR,SINGLE,0.125,GRN,SST,	77.00
43300008	INJECTOR,DUAL,0.083,GREY,SST,D	98.00
43300009	INJECTOR,SINGLE,0.098,LT-GRN,S	83.00
43442-S	Hyd Ftg Fem Swvl 3/8x1/4npt	35.00
43446	Adapter, JIC 3/4" M x 1/2" M	7.50
43451	Hyd Ftg Adpt 1fm x 1mpt	18.00
43464	Hyd Ftg Adpt 1FM x 1FM	14.25
43933	Oil Quart SHC626 50:1 Gearbox	25.00
43949	Oil 2.5gal Cat Pump	167.75
43951	Oil 2.5gal General Pump	163.00
43959	Grease Cartridge Arctic	32.00
43970	GREASE,MARINE,2-4-C,8oz.	32.00
43975	Lubricant,Silicone,1cc	4.00
46020001	VALVE,CHECK,3/8FNPT,3000PSI,30	86.25
46070001	VALVE,FLOW-MTR,0.5-5GPM,1/2",P	125.00
46070002	VALVE,NEEDLE,1/2",SST	110.00
46070003	VALVE,FLOW-MTR,0.5-5GPM,1/2",P	100.00
46070004	VALVE,FLOW-MTR,2-10GPM,3/4",PL	62.00
46100001	VALVE,SOL,NC,24VAC,1/4NPT	74.00
46100002	VALVE,SOL,NO,24VAC,1/2NPT,3-15	180.00
46100004	VALVE,SOL,DP,NO/NC,1NPT,24VAC,	1103.00
46100005	VALVE,SOL,DP,NC/NC,1NPT,24VAC,	1103.00
46100008	VALVE,SOL,NC,24VAC,3/4NPT,BRS,	290.00
46100009	VALVE,3-WAY,NC,24VAC,3/4"NPT,N	108.75
46130001	VALVE,REG,3/4NPTX1/2NPT,HP-SPR	217.00
46130002	VALVE,REG,3/4NPTX1/2NPT,LP-SPR	217.00
46200001	VALVE,SWITCH,LP,BRS	140.00
46260002	KIT,REPAIR,CWR4525-REGULATOR,G	65.00
46260003	KIT,REPAIR,STEM,NC,DEMA-DP-VLV	82.00
46260004	KIT,REPAIR,STEM,NO,DEMA-DP-VLV	116.00
46260005	KIT,REPAIR,PISTON,DEMA-DP-VLV	100.00
46260006	KIT,REPAIR,DIAPH,3/4"-VLV,DEMA	25.00
46360001	FILTER,ELEMENT,REPL,5-MRCN	9.50
46360002	FILTER,ELEMENT,REPL,3-MRCN	20.00
50190011	ADAPTER,KIT,DRYER-OSC,1/8HP,1P	Call For Price
50190013	UPGRADE,KIT,DRYER-S/P,3PH-OSC-	Call For Price
50400006	RETROFIT,GRBX-RPLCMNT,CARR-TRL	1355.75
50400007	RETROFIT,GRBX-RPLCMNT,ARCH,REV	1650.00
50450012	UPDATE,LIFT-BELT,TOP-ARCH,SET	257.50
50480001	UPDATE,HV+RZR1,SIDE-SONAR,30MM	555.00
50480002	UPDATE,CARR-BELT-TENS,PRO-RZR	366.00
50530001	ASSY,MOTOR,FILTER+PWD-MOTOR	1175.00
50720001	KIT,NOZZLE,UC,RCKR-BLSTR,RZR	116.19
50720002	KIT,NOZZLE,UC,PWR-TWR,6-NZL,RZ	59.25
50720003	KIT,NOZZLE,UC,PWR-TWR,12-NZL,R	29.25
50720004	KIT,NOZZLE,UC,PWR-TWR,4-NZL,RZ	35.75
50720005	KIT,NOZZLE,UC,PWR-TWR,4-NZL,PR	29.25
50720006	KIT,NOZZLE,ARCH,DBL-BRL,RZR	4000.00
50720007	KIT,NOZZLE,ARCH,HYPFRC	241.50
50720008	KIT,NOZZLE,FLEX-PASS,HYPFRC	175.50
50720009	KIT,NOZZLE,TL-PWD,PRO	3795.00
50720010	KIT,NOZZLE,TL-PWD,APEX	817.00



2026 PICTORIAL PARTS BOOK

PROFILE

XP
PROFILE

APEX
PROFILE

Item Number	Item Description	Price (\$)
50800048	ASSY,FLD-INSTL,BUG-PREP	97.75
59015	Heater Cartridge Style 9W	35.00
59910-1/2	Tubing, Poly Blue 1/2" OD	2.50
59910-1/4	Tubing, Poly Blue 1/4" OD	1.25
59910-3/8	Tubing, Poly Blue 3/8" OD	2.00
59914-32	Hose 2" ID Blk Corrug Suct 32"	44.75
59959-10	Hose 1-1/4" Drain f/Main Tank	41.50
59965	Hose, 1-1/2" x 10" Corr. Suct.	59.00
61048	Pump Fluid-O-Tech 800F 4.1-158	275.00
61050	Pump Sta-Rite 1.5hp 3ph	1351.00
61050-50	Pump Sta-Rite 1hp 50Hz 3ph	2402.40
61057	Pump, Gould 3HP 3PH 14 Stage	1837.50
61100001	BOLT,SHEAR,3/8-16X4-1/2",0.29"	7.50
61189	Pump Sta-Rite 1hp	1186.00
61190	Sta-Rite 1hp - Noryl Impeller	1300.00
61540	Pump, General (Emperor) HTCK40	Call For Price
61584	Adapter, 1/2" BPSS x 1/4" FMPT	32.00
61588	Drain Kit, CAT Pump	91.75
61589	Cat Pump 3535	Call For Price
61589-S-KIT	Seal Kit, Cat (1 per pump)	721.75
61589-VKIT	Valve Kit, Cat (2 per pump)	586.50
61590	Key (M10x8x70)	12.00
61600	Pump, Hypro 35gpm	Call For Price
61605	Pump, CAT 2530	Call For Price
61605-D	Drain Kit, CAT 2530	88.50
61605-S	Shaft Protector, CAT Pump 2530	34.75
61912	KIT,REBUILD,SOL-VLV-BANK	22.00
61913	Valve Bank Assy. 3-port	344.00
61914	Valve Bank Assy. 4-port	450.00
61915	Valve, Dema 3/8" SS	120.00
61929	Coil Danfoss 24vac 60Hz	65.00
61930	Valve Danfoss 3/8 Water	85.00
61930-S	Valve Danfoss 3/8 SS Seat	190.00
61931-C	Plug Connector w/39" Cord	17.75
61931-R	Terminal Cord, DIN 63" Reclaim	85.00
61933	Coil Danfoss 24vac 50Hz	45.00
61934	Repair Kit 3/8" Danfoss Valve	39.00
61936-50	Valve Sol 1/2 NC 50/60Hz 24vac	160.00
61937-50	Valve Sol 1/2 NO 50/60Hz 24vac	220.00
61939-C	Terminal Cord, DIN, 51"LG	18.75
61939-DF	Valve, Solenoid 1" NC 24/60	240.00
61939-DF-KIT	Rebuild Kit Valve Sol 1" NC	110.00
61940	Valve, Dema 1/2" NC SS 24VAC D	122.00
61941	Valve, Dema 3/4" NC PL 24VAC D	195.00
61945	Valve, Sol. 3/4" NC Pilot Pist	178.00
61946	Valve, Sol. NC 3/8"npt BR DEMA	183.00
61951	Valve Sol RCS-HP Unloaders	1265.00
61952	Valve Sol 1" DP NO/NC ver2	1265.00
61952-KIT	Repair Kit, 1" DP NO/NC Valve	224.00
61952-S-KIT	Seal Kit, VDHT Valve	135.00
61953	Stem, N.O. 1" HP Danfoss Valve	350.00
61954	Stem, N.C. 1" HP Danfoss Valve	302.00
62009	Valve Check 1" 400psi w/10#	102.00
62023	Foot Valve w/Strainer	14.00

Item Number	Item Description	Price (\$)
62025	Valve Check 1/4" fnpt brass	30.00
62026	Valve Check 3/8 Female 1500psi	35.00
62028	Valve, Check 3/4" Female	99.00
62029	Valve Check 3/4 Female 3000psi	286.00
62030-F	Valve Check 3/4, Viton Female	61.00
62031	Valve Check 1/2 FM x FM 3200	63.00
62035	VALVE,CHECK,3/8NPT,FxF,SST	43.00
62041	Valve Ball Check 1" Union pvc	89.25
62043	Valve Check 1-1/2" Union pvc	156.50
62045	Valve Check, 2" Union pvc	162.00
62046	Valve Check, 3/8" tube fitt	16.00
62047	Valve Check, 1/2" tube fitt	18.00
62048	Valve, Check 1/4" Push fit	15.00
62052	Valve Needle 1/4 Fem. 150psi	17.25
62062	Valve Check 1/4 MxM 5000psi	40.00
62063	Valve Check 1/4 FxF 3000psi	29.00
62071	Valve Relief 1/2"150psi br 451	27.00
62077	Valve Pressure Relief 3/4x1/2	215.00
62077-KIT	Rebuild Kit f/ 62077 and 62080	55.00
62080	Valve, Press. Relief 3/4 x 1/2	182.00
62080-SP	Spring, Press. Relief Valve (F	32.00
62157	Valve Lex Air 1" brass LG	890.00
62157-KIT	Repair Kit, Lex Air	250.00
62158-KIT	Repair Kit, Lex Air	182.00
62163	Valve Float 1" 90 degree	150.00
62192-24	Valve Sol 3/8 NO L/P 041	153.00
62192-KIT	Rebuilt Kit Dema Valve 0412	31.00
62196-24	Valve Sol 1/2 NC HP 454P	235.00
62303	Metering Tip Kit Ultra Lean	17.00
62304	Metering Tip Kit #8-32 thd	23.00
62344-X	Injector .070 w/XFO Ring-ORANG	84.00
62369-X	Injector .057 w/XFO Ring RED	84.00
62375-X	Injector .083 w/XFO-GRAY	84.00
62376-X	Injector .086 w/XFO	88.00
62377-X	Injector .098 w/XFO	95.00
62379-X	Injector .083 Dual Port w/XFO	125.00
62380-X	INJECTOR, .125, W/XFO	80.00
62496	Valve Water Sol 1" NC SS 24vac	360.00
62960	Nozzle, 55deg Br. 1/4"npt	55.00
62970-4M	Nozzle, 1503 1/4" I-Meg	10.00
62971-4M	Nozzle 1504 1/4" I-Meg	10.00
62973-4M	Nozzle 1505 1/4" I-Meg	10.00
62977-4M	Nozzle 1508 1/4" I-Meg	10.00
62980-4M	Nozzle 2504 1/4" I-Meg	10.00
63005-4M	Nozzle 2503 1/4" I-Meg	10.00
63041-4M	Nozzle 4003 1/4" I-Meg	10.00
63045-4M	Nozzle 4004 1/4" I-Meg	10.00
63047-4M	Nozzle 4006 1/4" I-Meg	10.00
63060-4M	Nozzle 4020 1/4" I-Meg	10.00
63100004	WASHER,FLOW,3/4",5.3GPM	3.50
63300-4M	Nozzle 6510 1/4" I-Meg	10.00
63525-4M	Nozzle 8003 1/4" I-Meg	10.00
63526-4M	Nozzle 8006 1/4" I-Meg	10.00
63527	Nozzle, Blastec 4.0 gpm	215.00



2026 PICTORIAL PARTS BOOK

PROFILE

LX
PROFILE

APEX
PROFILE

Item Number	Item Description	Price (\$)
63529-4M	Nozzle 8010 1/4" I-Meg	13.50
63530	Nozzle, Blastec 3.0 GPM	215.00
63535	Nozzle Protector, Blastec Blue	25.00
63537	Nozzle, 0 Degree Mosmatic PWD	148.00
63538	Nozzle, Insert 0 degree Mosmat	60.00
63540	Nozzle, FullJet 1/4" npt Full	41.75
64826	Nozzle Adapter 1/4"	43.00
64831	Nozzle Protector	3.00
64990	Strainer Water 1-1/2" 20 mesh	25.00
64991	Strainer, 2" Suction Line, Nyl	28.00
65020001	STRAP,CINCH,BUCKLE-RELEASE,1"X	44.00
65030001	KNOB,THRD,1/4-20X1",PLSTC,BLK	7.00
65130001	O-RING,MEMB-HSG-CAP,4"	5.00
65140005	CLAMP,PIPE,1.25",PLSTC,BLK	12.00
65140006	CLAMP,LOOP,13/16"ID,AL/RBR,BLK	5.60
65170001	BALL-STUD,5/16"THD,10MM-BALL,S	3.00
65190001	GROMMET,1/4"IDX11/32GROOVE,BUN	0.50
65210003	RIVET,PUSH-IN,1/4",.780-1.375,	0.50
65389	Swivel Straight 1" HP SS	263.25
65391-P	Swivel 90 degree 1" F x F	215.75
65395	Swivel, 3/8"npt Mosmatic PWD T	320.00
65902-4P	Nipple, 1/2" x 4-1/2" PVC	5.80
65902-4S	Nipple Close 1/2" 304 SS	4.25
65904-K4S	Nipple 1" x 5" 304 SS	21.00
65906-8P	Nipple Close 1-1/2" sc80 pvc	9.25
65907	Nipple Close 2" nylon	11.75
65941-4B	Hex Nipple 1/4" brass	2.50
65944-4B	Hex Nipple 3/8" brass	4.25
66004-P	Tee Pipe 1/2" thd sc80 pvc	12.00
66009-4S	Tee Pipe 3/4" SS	15.50
66014-4S	Tee Pipe 1" 304 SS	19.50
66376-4B	Elbow Street 1/4" brass	8.50
66385-4S	Elbow, Street 1-1/4" 304 SS	38.50
66386-4N	Elbow Street 1-1/2" nylon	15.25
66386-4P	Elbow, Str 1.5" 45 deg nylon	20.75
66387-4N	Elbow Street 2" nylon	16.25
66496-B	Plug 1" Recessed brass	14.00
66542-B	Plug Pipe Hex Hd 1/2" brass	5.50
66576-TT	Bulkhead Fitting, 3/4"	63.25
66577-TT	Bulkhead Fitting 1"	67.25
66578-TT	Bulkhead Fitting 1-1/4 pvc thd	90.50
66579-TT	Bulkhead Fitting 1-1/2 pvc thd	92.00
66580-TT	Bulkhead Fitting 2 pvc thd	151.25
66602-S	Bushing Pipe 1 x 1/2 304SS	10.00
66603-S	Bushing Pipe 1 x 3/4 304 SS	10.00
66609-S	Bushing, 1-1/4" x 1" 304 SS	18.25
66686-P	Coupling 1/2" sc80 pvc thd	7.75
66756-P	Coupling Reducer, 3/4x1/2fmp	9.25
67006-MS	1/2 Hose barb SS	12.75
67028-MHB	Hose Barb 1.5H x 1mnpt brass	66.00
67029-MHN	Hose Barb, 1.25"NPT x 1.5"H Po	10.00
67030-MHN	Hose Barb 1.5Hx1-1/2mnpt nylon	5.50
68892	Side Arch Foam (Large)	512.00
68893	Top Arch Foam (Small)	265.00

Item Number	Item Description	Price (\$)
68894	Power Tower Foam, Blue, Each	195.00
68895-A	Foam Insert Assembly, Side Arc	170.00
73296	Clamp 18mm Tube GR.II	1.50
73298	Clamp Pipe 21.3mm	1.85
73905	Clamp Tube 1" Diameter	2.00
73916	Clamp Tube 1" Pipe Group 5S PR	7.50
74995-1	Grommet 3/16ID x 3/32 Groove B	0.25
77098	U-Bolt, 3" x 5" Square	23.00
77099	U-Bolt, 5" x 3" Square	25.00
77850	Strap, Cinch, Profile	8.00
77891	Latch Flexible Draw	25.00
77893	Latch Snap Lock 2 pcs.	33.00
78493	Set Collar, 2 pcs. 1-1/8"	24.75
78495	Knob, 1/4-20 Female DK-184	5.00
80000001	DECAL,WASHWORLD,DIE-CUT,ACRYL	5.25
80020001	DECAL,CARR-COVERS,RZR-EDGE,F/R	483.50
80020003	DECAL,HYPERFLEX,SM,SIDE-PODS,R	2.50
80020004	DECAL,FOAM-N-FLOW,SM,REAR-CVR,	5.75
80020005	DECAL,SPECTRARAY,SM,FR-CVR,RZR	3.75
80020009	DECAL,F/R-CARR-CVR,RZR-STD,BLA	428.00
80020014	DECAL,ARCH-CVR,DBL-BRL,DIE-CUT	22.00
80020015	DECAL,CRG-CVR,DBL-BRL,F/R	396.00
80020016	DECAL,UCC,VINYL,RZR	143.25
80020018	DECAL,CRG-CVR,VINYL,HYPFRC	402.00
80020019	DECAL,ARCH-CVR,DIE-CUT,ACRYL,H	11.75
80020020	DECAL,UCC,HMI,RZR	17.00
80030001	DECAL,F/R-COVER,RZR-XR-7,GRPH-	700.00
80030002	DECAL,UCC-FRONT,XR-7,VINYL	17.50
80040001	DECAL,F/R-CVR,PROFILE-ST,2-PC,	700.00
80040002	DECAL,F/R-CVR,PROFILE-MAX,2-PC	700.00
80040003	DECAL,RS-C-CHNL,PROFILE,2-PC,V	108.25
80040004	DECAL,LS-C-CHNL,PROFILE,2-PC,V	108.00
80040009	DECAL,UCC-FRONT,VINYL,DBL-DR,P	231.00
80040010	DECAL,UCC,HMI,PRO	17.00
80050001	DECAL,FR-COVER,GRPH,VINYL,LXR	481.50
80050007	DECAL,UCC-FRONT,VINYL,LXR	156.25
80070001	DECAL,CRG-COVER,GRPH,VINYL,APE	465.75
80070002	DECAL,UCC-FRONT,VINYL,DBL-DR,A	231.00
80070007	DECAL,RS-C-CHAN,2-PC,VINYL,APE	76.75
80070008	DECAL,LS-C-CHAN,2-PC,VINYL,APE	76.75
80130001	DECAL,SPECTRARAY+,TOP-MNT	5.75
80130002	DECAL,HOUSING,BIG-SHOT,VINYL	47.25
80130003	DECAL,PWR-TWR,VINYL	6.50
80130004	DECAL,ENCL,CHEM-ALERT,VINYL	17.00
80130005	DECAL,LUMENDRY,VINYL,CTR-PRODU	13.75
82700	Decal, InBay 8 Panel STD Profi	107.00
82701	Decal, InBay 8 Panel w/TCF Pro	109.75
82702	Decal, Wait/Go STD Profile	58.75
82703	Decal, Wait/Go w/Wash Progress	58.75
82870	Decal: Wait/Go 12v LED	67.00
82871	Decal: WashStatus 12v LED	51.75
82872	Decal: In-Bay 3-panel 12v LED	85.00
82874	Decal: In-Bay 8-panel 12v LED	109.75
82874-TF	Decal: In-Bay 8-panel w/TCF	107.00



2026 PICTORIAL PARTS BOOK

PROFILE

XP
PROFILE

APEX
PROFILE

Item Number	Item Description	Price (\$)
82881	Decal, Count. Timer Outer Blue	47.95
83735-B	Decal, X-Hatch Bottom Razor Co	584.00
83735-C	Decal, X-Hatch Center Razor Co	139.75
83735-T	Decal, X-Hatch Top Razor Cover	165.00
83878	LED Board Countdown Timer 24va	540.00
83880	LED Light, Green ARROW 24vac	103.50
83882	LED Light, Amber ARROW 24vac	103.50
83886	LED Light, Red STOP 24vac	103.50
83888	LED Light, Blue GLOBE 24vac	103.50
83890	LED Light Strip, RED 12vdc	80.50
83890-3	LED Strip, 3 Light RED 12vdc	8.00
83892	LED Light Strip, AMBER 12vdc	80.50
83892-3	LED Strip, 3 Light AMBER 12vdc	8.00
83894	LED Light Strip, GREEN 12vdc	80.50
83894-3	LED Strip, 3 Light GREEN 12vdc	8.00
83896	LED Light Strip, BLUE 12vdc	80.50
83896-3	LED Strip, 3 Light BLUE 12vdc	9.00
83899	LED Module, 2 Light BLUE 12vdc	3.50
83903	LED Light Strip, Green 14 ligh	77.00
83904	LED Light Strip, Red 14 Light	77.00
83925	LED Strip, RZR Cover	150.00
83925-27	LED STRIP,BLUE,27.75" LG, RZR	82.00
83925-29	LED Strip, Blue 29.75" LG, Raz	82.00
83925-31	LED Strip, Blue 31.75 LG, Razo	82.00
83925-35	LED STRIP,BLUE,35.4"LG,ARCH	82.24
83925-5	LED Strip, Blue 5m	188.00
84917	LED Face Kit	56.25
8902-2	Seal for Bearing 8902-I	11.50
8902-I	Bearing Insert 1Dx20Dx9/16	5.75
8907	Bearing Flange 4 Bolt 1" ID	45.61
8928	Bushing, Iglide Flange 1-1/4"	10.24
8950	Drive Gear, Trolley/Carriage	180.00
8952	Bushing, Trolley Drive Gear	36.00
8953	Bushing, Carriage Drive Gear	35.95
90890	Mesh Plastic, Ultra Foam	12.00
90899	Spring, Comp. Spray Arch	38.00
90989	Cylinder Gas 90 lb	42.00
90991	Cylinder Gas 60lb	35.00
9106	Bearing Flange 4 Bolt 1-3/16	98.00
91899-PRO	SONAR,PROFILE,TOP-PRGMD,4-20MA	534.00
91899-REAR	Sonar, P&F Programd Rear/Dryer	534.00
91899-SIDE	Sonar, P&F Programmed Side	534.00
91900-REAR	Sonar, P&F L2 Series Programmed Rear	514.75
91900-SIDE	Sonar, P&F L2 Series Programmed Side	514.75
91909	Prox Switch 12mm Shielded	66.75
91910	Prox Switch 18mm Shielded	80.00
91912	Prox Switch 18mm Short Shld	114.00
91914	Prox Switch 30mm f/Trolley	78.50
91915	Prox Switch 30mm f/Carriage	94.75
91917	Sensor Prox T-Bar Breakaway	72.00
91918	Actuator T-Bar Sensor	12.00
91919	Prox Switch 12mm	63.00
91920	Prox Switch 18mm Short	77.75
91921	Prox Switch 18mm Long	54.50

Item Number	Item Description	Price (\$)
91923	Prox Switch 30mm Short	83.75
91925	Prox Switch, 18mm P&F	71.25
91926	Prox Switch, 30mm P&F	78.00
91985	Temperature Probe	270.00
91992	Sensor 24vdc Main Tank Fill	122.25
92009	Lanyard, 3/4" Washworld Blue	7.00
92010	Manual Remote Transmitter Unit	210.00
92011	Manual Remote Receiver Unit	670.10
92012	Manual Remote Antenna (Lodar)	125.00
92015	Transmitter, Lodar 10 Func. Pr	373.50
92016	Receiver, Lodar 10 func. Profi	809.10
92066-P	String Pot Encoder, Celesco (P	1850.00
92070	Sensor, Level/Inclination P&F	279.00
92075-L	Transmitter Infrared 15m Telco	49.25
92076-L	Receiver Infrared 15m Telco	73.50
92077-L	Amp, 24vac Telco	126.00
92078	Amp, Self Diag. 24vac Pantron	175.00
92079	Amp, Dual Channel - Pantron	300.00
92079-L	Amp dual	246.00
92084-24VAC	Photo Amp 24vac, 11pin Carlo	267.50
92085	Horn, Panel Mount 855P	253.00
92086	Horn, Panel Mount 240v Int'l	251.75
9209	Bearing Flange 2 Bolt 1-5/16	105.00
93180001	GREASE,CNDCT,SILVER,.23OZ	110.00
93180002	GREASE,TUBE,LUBT,3OZ,PACKING	45.00
95095	Foamer Head, Flex Pass	232.00
95098-A	Foamer Head, Anodized Rev.	135.30
95100-A	Foamer Head, Dual Stream Razor	80.00
96300	Membrane, 4" x 40", ULP	707.50
96301	Membrane Hsg SS w/ End Caps	565.25
96320	Valve, Sol. 1/2" 220v	311.00
96321	Valve, Sol. 3/4" 220v	390.00
96330	Filter Housing 3/4" x 20"	130.00
96335	Filter, 5 Micron Cart 20" Mel	25.00
98550	Modem Adapter	40.00
98560	Cable, Modem	9.50
98561	Cable, AB PLC - PVP/Direct Con	229.00
98563	Cable, Serial HMI to PLC	116.00
9945-RBX	Belt, 51" 2V RBX51	99.00
9955-3BX	Belt 66" B Sect Banded 3V	127.25
9956-3BX	Belt 67" B Sect Banded 3V	107.75
9957-3BX	Belt 68" B Sect Banded 3V	97.50
9969-K	Belt 15mm x 396" (1258t) OBD	255.35
9970-K	Belt 15mm x 276" (7.2m) Trolle	178.60
9971-K	Belt 15mm x 360" (1143t) Carrg	233.85
9973	Clamp Drive Belt Carr/Trolley	11.50
9974-2	Lift Belt Set, 1" x 118" L	195.00
9975	Belt 15mm x 468" carriage	315.00
9976	Belt 15mm x 174" Trolley	110.00
HV6000	Controller HV6000	2750.00
M100004	On-Board Dryer Roller Stop	12.41
M100007	Tee Pipe 1" SS w/hole	51.00
M110067	Tri-Color Foam Pod Adaptor Brk	55.75
M228889-A	Plate, w/Heater HV	27.75



2026 PICTORIAL PARTS BOOK

PROFILE

LP
PROFILE

APEX
PROFILE

Item Number	Item Description	Price (\$)
M228899	Heater w/Bracket, Loading Eyes	37.00
M228900	Heater w/Bracket, Loading Eyes	37.00
M288916	Lift Block Assy. w/Ring	44.00
M307821-S	Bracket Mount Spot Free	61.00
M308931	Bracket Weep Valve	15.25
M308940-S	Bracket, Prox. Double R3	21.17
M308941-S	Bracket, Prox Single R3	17.06
M308982-S	Bracket Rail Support SS	89.00
M309077	Bracket Rail Wall Mount 3/4"	28.60
M328896	Lift Plate Spray Arch	65.85
M330800	Flag, Front/Rear Profile Carri	72.00
M330889-S	Flag, Rail SS	15.75
M330893-S	Flag, Rear Razor OBD	44.75
M330895-S	Flag, Home Razor rev2	35.75
M330897-S	Flag, Home Razor2/3 OBD	32.00
M330898-S	Flag, WS Home Limit	11.00
M348894	Tank Poly w/2" hole 20x30.5x2	372.00
M348895	Tank Poly 20x 30.5x 23	478.00
M358891-7	Manifold Top Spray Arch 7-hole	623.25
M358900	Manifold Weldment Virtual Atnd	453.00
M358901	Manifold Top Arch Virtual Atnd	563.00
M358905	Manifold Side Spray Arch	556.50
M358906	Manifold, Side Spray Arch 14 N	783.00
M358920	Nipple Foamer Retaining	22.00
M358923	Belt Guard, Inner Profile	75.00
M358924	Belt Guard, Outer frmd Profile	82.72
M358927	Manifold, Underbody 5-hole	322.00
M358930	Manifold, Flexpass 1/2 x 72 SS	275.00
M358935	Manifold, HP Side Rinse Profil	154.00
M358944	Manifold Tri-Color Foam SS 3-h	95.25
M358948	Manifold Solution 9-port	149.50
M358951	Manifold Weldment L.P. OH	92.40
M358985	Manifold Tee Weldment 1" OH	175.25
M358986	Manifold Foamer Tube Weldment	255.75
M359010	Manifold, Bug Prep Application	172.46
M359015	Manifold, Foam Flow	213.00
M359020	MANIFOLD,HYPERFLEX,3/4 x 84"LG	243.75
M379990	Shroud Joystick	304.25
M388865	BRKT, CHANNEL, 1.0 X 6.0" X 11	7.51
M388870	HOUSING, PHOTO-EYE, 2x2 SQR, S	22.75
M388871-A	BRACKET,W/HTR-STRIP,7.5W,STR,P	31.85
M388875	TUBE,LOADING-EYES,2x2x24"LG,16	237.00
M388880	Plate, Sonar Deflector	66.75
M388885	TUBE,SONAR,2x2x6.0"LG,16GA,SST	35.75
M388898	Pipe Weldment OverHead 90deg	243.75
M388909-18	Threaded Rod 1/2" x 18" SS	15.00
M388909-S	Threaded Rod 1/2" x 14" SS	10.94
M388910-S	Threaded Rod, 3/4" x 24"	57.75
M389004	Tensioner, Trolley Drive Profi	31.68
M389005	Tensioner, Trolley Drive PWD P	39.00
M389010-S	Tie Rod 3/4 thd x 24-3/4 SS	58.25
M389011-S	Tie Rod 3/4 thd x 16-3/4 SS	52.93
M389012-S	Tie Rod 3/4 thd x 28-3/4 SS	78.69
M389013-S	Tie Rod 3/4 thd x 14-5/8 SS	46.90

Item Number	Item Description	Price (\$)
M389015-S	Tie Rod, 3/4"thd x 10", SST	35.35
M389018-S	Tie Rod 3/4 thd x 35-5/8 SS	80.10
M389019	Tie Rod, OB Dryer Wall Mount	108.00
M389020	Angle, Tie Rod OBD Wall Mt	17.75
M498965	Panel, LP Pump SS Profile	670.00
M498967	Bracket, LP Pump Support	41.75
M499055	Hinge Fiberglass	28.56
M500000	Bracket, Safety Catch - R3	52.25
M500002	Bracket, Overrail Safety Catch	27.00
M500889	Angle Clip 12GAx2.38x2.75 SS	11.50
M508892	Bracket, Prox F/R Carriage Rai	70.25
M508895	Bracket, Trolley Lmt. Prox RS	33.00
M508896	Bracket, Trolley Lmt. Prox LS	33.00
M508900	Bracket, Carriage Encoder Prox	26.40
M508903	Bracket, Encoder Prox, Profile	65.00
M508904	Weldment, Trly Idler Tens Assy	275.00
M508907	Encoder Flag, Trolley 6 ct. SS	11.50
M508908	Encoder Flag, Carriage 4 ct.	133.00
M508910	Encoder Flag, Profile	26.50
M508914	Bulkhead Plate, E-Chain Carr.	99.00
M508915	Bracket, Tri-Color Foam R3	100.98
M508915-D	Bracket, Tri-Color Foam/Flex P	111.00
M508915-P	Bracket, Tri-Color Foam/Flex P	111.00
M508922	Bracket, HP Pump J Box Mount	25.00
M508923	Bracket, SB Cover Mount L/R	31.50
M508924	Bracket, SB Cover Mount Center	36.00
M508932	Bracket, E-Chain Mount Trolley	11.55
M508935	Plate, Feed Side Conceal Profi	122.00
M508948	Slider, Nylatron Side Load	27.50
M508949	Slider, Nylatron Bearing Top B	39.85
M508952	Plate, Spacer w/Standoffs Trol	159.75
M508953	Plate, Spacer Upper Cushion	39.60
M508954	Plate, Spacer Lower Cushion	21.56
M508955	PLATE,MOTOR MOUNT,PWD	45.00
M508958	Bracket, E-Chain Guide RZR RH	11.25
M508959	Bracket, E-Chain Guide RZR LH	11.25
M508970	BRACKET,ROLLUP SHAFT SUPPORT,	201.75
M508980	Bracket, Cover Mount RS Ent.	230.00
M508981	Bracket, Cover Mount LS Ent.	230.00
M508982	Bracket, Cover Mt. RS Exit	147.00
M508983	Bracket, Cover Mt. LS Exit	147.00
M508995	Bracket, Level Sensor Mount	21.75
M509010	Weldment, WS Upper LS	431.20
M509015	Bracket, WS Top Prox LS	62.75
M509016	Bracket, WS Top Prox RS	62.75
M509020	PLATE,PIVOT,SST	16.00
M509022	Flag, WS Mid Prox Mount	82.40
M509025	Bracket, WS Home Prox	29.00
M509032	PLATE,MOTOR MOUNT,FIXED,PWD 30	64.00
M509035	Bracket, Bottom Nozzle WS Touc	73.68
M509040	Bracket, PWD Encoder Prox	35.00
M518914	Plate Festoon Cable Holder	11.42
M519027	Hinge Retaining Bar 1/4x1x6.75	11.00
M519369	Bracket, Rear Sonar Mount L2 (15.20



2026 PICTORIAL PARTS BOOK

PROFILE

XP
PROFILE

APEX
PROFILE

Item Number	Item Description	Price (\$)
M519371	Bracket Mt, RZR Sonar Vertical	30.50
M519373-A	Bracket, Spkr Aud. Alarm Rev2	12.31
M519379	Bracket Mount Measure Eye SS	20.50
M519604	Bracket L-Shape (Overhead)	38.25
M519700	Bracket, Foam Flow Manifold	16.25
M519705	Bracket, TB Stop Laser Mt.	24.00
M519706	Bracket, Prox TB Home	30.75
M519720	Bracket Pinch Cvr Frmd Plastic	44.00
M519723	Bracket, FNF Manifold Mount Pr	28.82
M528918-S	Angle Wall Mount SS 14' to 16'	50.50
M528931-S	Angle Wall Mount 16'-9" to 18	102.00
M538919	Tank Cover 20-1/4x30-3/4 Black	85.00
M538920	Belt Guard 16" x 3.5" x 4.5"	93.00
M538921	Belt Guard Back Flat Plate	71.00
M538923	Guide, Trolley E-Chain RZR/Rev	23.00
M538924-P	Foam Shield, SST Profile	170.00
M538925	Foam Shield, SST Razor	188.35
M538926	Fiberglass Wash Cover, Razor	Call For Price
M538926-H-F	Fiberglass Wash Cvr w/FoamFlow	Call For Price
M538926-S	Fiberglass Wash Cover w/Sonar	Call For Price
M540100	Cover, F/R Profile Carr. Frmd	985.00
M540105	Cover, LS Side Brush w/Tabs	275.00
M540106	Cover, RS Side Brush w/Tabs	275.00
M540110	Cover, LS Wheel Scrub Frmd ABS	495.00
M540111	Cover, RS Wheel Scrub Frmd ABS	495.00
M540150	Cover, RZR Formed ABS Blank (N	1288.00
M542000-B	Cover, RZR Top Arch, PLSTC BLU	105.00
M542005-B	Cover, RZR Mid SIDE Arch, PLST	142.60
M542010-B	Cover, RZR LOWER Side Arch, PL	98.90
M548896	Pipe Bent Overhead f/ Bushing	215.00
M548897	Pipe Bent Overhead Turned	233.00
M548911	Manifold, 1 x 8, 2-hole SS	50.75
M548931	Manifold, 1 x 5, 2-hole	22.50
M548932	Manifold, 1 x 6, 3-hole SS	144.50
M548933	Manifold, 1 x 6, 1-hole SS	31.50
M548937	Manifold, 1 x 6, 2-hole	47.50
M548940	Bracket, Sol. Arm LS Ent. RS E	64.75
M548941	Bracket, Sol. Arm LS Exit RS E	64.75
M548944	Manifold, 1" w/4 Holes Profile	107.80
M548945	Manifold, Rotor Arm PWD Touchl	315.00
M548950	Manifold pvc 9-port TCF weep	228.50
M548951	Manifold pvc 4-port 3X Weep	228.50
M548953	Manifold, 6-port 3/8"	55.00
M548954	Manifold, 7-port, Power Tower	371.75
M578901-S	Sleeve Mount Wall 16'1" to 18'	43.75
M578909	Grease Line Side FlngeBear SS	22.00
M578910	Grease Line Pillow Block SS	28.00
M578911	Grease Line 2 BlkTrolRoller SS	23.00
M578912	Grease Line 1 WhtTrolRoller SS	36.00
M578914	Grease Line Rear Blk Roller SS	29.25
M578915	Grease Line Rear Wht Roller SS	30.00
M578916	Grease Line Front WhtRoller SS	27.50
M578917	Grease Line 3 SS	36.00
M578918	Grease Line Front BlkRoller SS	38.00

Item Number	Item Description	Price (\$)
M578919	Grease Line 4 SS	36.75
M578924	Grease Line Razor OBD LS Exit	21.00
M578925	Grease Line Razor OBD RS Exit	21.50
M578926	Grease line Razor OBD	30.50
M578927	Grease Line Razor OBD RS Ent	31.00
M578930	Grease Line Carrg Drv Shaft Be	22.00
M578931	Grease Line Carrg LS Exit - R3	26.00
M578932	Grease Line Carrg LS Ent - R3	24.00
M578933	Grease Line Carrg RS Exit - R3	26.00
M578934	Grease Line Carrg RS Ent - R3	24.00
M578936	Grease Line Carrg LS Ent Idler	17.50
M578937	Grease Line Carrg RS Exit Idle	18.75
M578938	Grease Line Carrg RS Ent Idler	17.25
M578940	Grease Line Trolley Idler Bear	17.50
M578941	Grease Line Trolley RS Exit To	20.00
M578942	Grease Line Trolley LS Exit To	35.00
M578943	Grease Line Trolley RS Exit Bo	15.50
M578944	Grease Line Trolley LS Exit Bo	29.00
M578945	Grease Line Trolley LS Ent Top	30.00
M578946	Grease Line Trolley RS Ent Top	20.00
M578947	Grease Line Trolley LS Ent Bot	28.00
M578948	Grease Line Trolley RS Ent Bot	15.00
M579965	Washer, Foamer Tube Profile	2.00
M598001	Shaft, 123" Offset TB Rollup	451.00
M598002	Shaft, TB Rollup GB Side	191.50
M598003	Shaft, TB Rollup Bearing Side	99.00
M598004	Shaft, TB Rotate GB Side 1-1/8	495.00
M598005	Shaft, TB Rotate Bear. Side 1-	363.00
M598006	Shaft, Carriage Dr. GB Side Pr	158.40
M598007	Shaft, Side Brush Rotate Profi	409.20
M598008	Shaft, Trolley Drive Profile	231.00
M598009	Shaft, WS Trolley Drive	279.40
M598888	Shaft, Carriage 1 x 6.5	73.48
M598889	Shaft, Carriage Drive Idle 1"	89.75
M598890	Hollow shaft HV Arch	255.20
M598893	Shaft, Trolley Roller	135.00
M598895	Axle, Trolley Shaft	203.04
M598896	Shaft, 1-3/16" x 120" SS	490.00
M598897	Shaft, Hollow Razor 3	279.40
M598898	Shaft, Carr. Drive 1" x 12" RZ	92.50
M598899	Shaft, Carr. Drive 126" - R3	503.80
M598902	Shaft, Trolley Gearbox R3	145.25
M598903	Shaft, Trolley Roller R3	121.00
M598905	Shaft, Carriage Roller	129.80
M598906	Shaft, Carriage Roller R3	116.60
M598910	Shaft, Eccentric, Trly Roller	134.20
M598911	Shaft, Idler Roller, Carriage	90.50
M598913	Shaft, Wheel Scrubber Eccentric	158.40
M598920	Shaft, WS Brush Mount	390.00
M618889	Roller White UHMW	65.25
M618939	Roller Black UHMW	70.00
M618940	Roller, White WS Upper	159.00
M618941	Roller, Ecc. Trolley Profile	91.25
M618942	Roller, Black WS Lower	102.30



2026 PICTORIAL PARTS BOOK

PROFILE

LX
PROFILE

APEX
PROFILE

Item Number	Item Description	Price (\$)
M618950	Roller, Tension, Trolley	50.60
M618951	Idler Pulley, Carriage	71.00
M618952	Pulley, Roll-up Profile	267.00
M638890	Cam Index,SST Revv	171.00
M638891	Cam Index, SS	207.36
M638899	Washer 1/8 x 1ID x 1-3/8OD	8.25
M638900	Washer UHMW 1-3/16 ID x3.50 OD	21.38
M638902	Washer 1/4 x 5/16 ID x1-3/4 OD	12.50
M638903	Spacer f/PDQ DD w/WW Shaft	7.92
M658889	Bearing Block 1-3/16 UHMW	108.75
M658891	Block Clamp Spray Arch	145.50
M658899	Block Rail Flag	10.70
M658900	Block Carriage Flag 1/4x 1x 4	28.50
M658901	Spacer, Arch 1/4" thick UHMW	6.00
M658902	Spacer, Arch 1/8" thick UHMW	6.00
M658903	Washer UHMW 1.328"IDx2"OD	30.25
M668887	Y-Bar Mounting Bracket	430.50
M668889	T-Bar Mounting Bracket	475.75
M688890	Shear Bolt, 4 1/2" SS	7.25
M688895	Shear Bolt, 3" Profile WS	9.00
M688897	Cap, 2" x 2" Black PL	3.75
M688899	Cap, UHMW 3"x 3"	2.50
M688900	Cap, 2-1/2" - Sonar	6.00
M688904	Sonar Insert	47.00
M688905	Well Sensor Main Tank 1-1/4"	37.40
M688920	Cushion, 8.5"OD Neoprene 60 Du	101.50
M688921	Cushion, 4.75"OD Neoprene 60 D	50.50
M730511	BRUSH,SIDE,ASSY,BLUE,PRO	3450.00
M730512	Wheel Washer Brush, Profile	295.00
M750000	Brush, 1575mm Med. Fill Profil	290.00
M750001	Brush, 1371mm Med. Fill Profil	255.00
M750002	Brush, 1200mm Med. Fill Profil	215.00
M750003	Brush, 1100mm Med. Fill Profil	200.00
M750004	Brush, 1000mm Med. Fill Profil	170.00
M750005	Brush, 920mm Med. Fill Profile	179.00
M750006	Brush, 920mm High Fill Profile	185.00
M750010	BRUSH,TOP,FLEXFILL,W/HUB,1000M	345.00
M750011	BRUSH,TOP,FLEXFILL,W/HUB,900MM	325.00
M750020	HUB, TOP BRUSH, PLSTC	16.00
M750025	BRUSH,INDV,1000MM,FLEXFILL	9.75
M750026	BRUSH,INDV,900MM,FLEXFILL	9.25
M750050	SHAFT,TOP BRUSH,AL	825.00
M750055	SHAFT,SIDE BRUSH,AL	730.00
M98901-CE	Junction Box J18 CE	125.00
WW007	O-Ring Kit, Spray Arch	10.00
WW010-21	Kit Nozzle, Arch 21 Nozzle Con	230.75

Item Number	Item Description	Price (\$)
WW010-21-PT-12	Kit Nozzle, 21 Nozzle Arch + 1	235.00
WW010-21-PT-6	Kit Nozzle, 21 Nozzle Arch + 6	250.00
WW010-21-UB	Kit Nozzle, 21 Nozzle Config w	316.00
WW010-7	Nozzle Kit, Laser w\UB or HV	322.00
WW010-7-HV	Nozzle Kit, HV VS2 w/UB	321.00
WW010-7-PT	Kit Nozzle, VS2 w/ 6 hole PT	253.00
WW012-RZR	Nozzle Kit HP/FP Manifolds R2	160.00
WW033	Fastener Kit, Arch Kit	12.00
WW072	Festoon Cable Kit	2257.50
WW20036-415	Enclosure Assy J1A 415v 50Hz	1204.50
WW20036-460	Enclosure Assy J1A 460v	692.25
WW20036-575	Enclosure Assy J1A 575v 60Hz	490.00
WW20036-CE	Enclosure Assy J1A CE	825.25
WW20046	Kit Reflectors/Pavement	340.00
WW24-022	Sign, Instructional/Disclaimer	154.00
WW5540	Joystick Control Assembly	654.25
WW6017	Trolley E-Chain Guide Retrofit	40.00
WW6032	Enclosure Assy. UB Razor2/3	268.25
WW6145	Enclosure Assy RZR OBD Univers	411.75
WW6160	Enclosure Assy. Sonar	259.25
WW6170	Enclosure Assy. Tri-Color Foam	275.00
WW650	Safety Bracket Kit, STD Razor	335.00
WW6620-B	Audio Prompt Function	635.00
WW7180	Enclosure Assy, Aux. E- Stop	157.50
WW9220-KIT	Enclosure Kit, Profile Carr. R	687.75
WW9221-KIT	Enclosure Kit, Profile Carr. L	662.00
WW9222-KIT	Enclosure Kit, Profile Bay Box	566.00
WW9223-KIT	Enclosure Kit, Profile VS2	161.00
WW9224-KIT	Enclosure Kit, Profile LP Pump	480.00
WW9225-KIT	Enclosure Kit, Profile HP Pump	299.50
WW9228	HP Motor Starter Enclosure 480	413.25
WW950	Nozzle Kit, FP Pods/Manifold,	232.75
WW9500	Update Kit, TB Truck Slides Pr	615.00
WW9501	Update Kit, PWD Touch Trigger	577.00
WW9502	Top Brush Support Update Profi	218.68
WW951	Nozzle Kit, Cloth Wetter	220.00
WW952	Nozzle Kit, Med. Pres. U/C Pro	47.00
WW953	Nozzle Kit, U/C w/Rocker Blast	108.00
WW954	Nozzle Kit, U/C w/6 Hole PT Pr	1062.00
WW955	Nozzle Kit, Bug 'A Salt Profil	24.00
WW956	Nozzle Kit, PWD Touch Version	2980.00
WW957	Nozzle Kit, PWD Touchless Vers	3929.50
WW970	Retrofit Kit, Top Brush Truck	591.00





Credit Cards Accepted:



All prices are F.O.B. DePere, WI and are subject to change without notice.