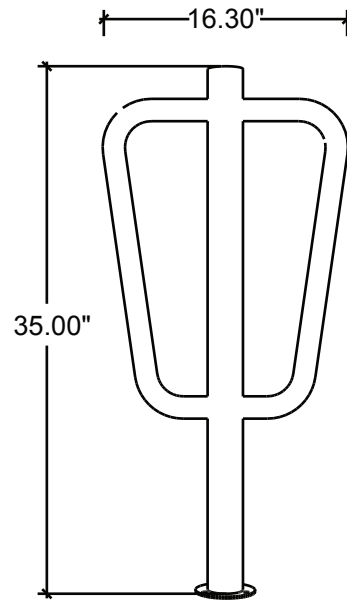
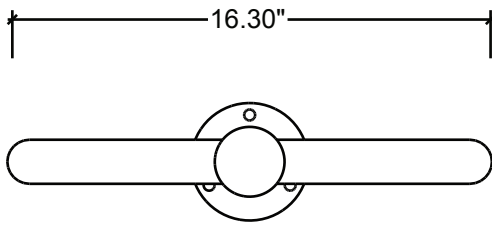


# Armstrong Bicycle Rack EL - 025



# Armstrong Bicycle Rack EL - 025



- 
- **Model:** EL - 025 P
  - **Material:** P - Zinc Plated Steel
  - **Finish:** Powder painted
  - **Dimensions:** Handles: 38mm dia. x 500mm (w) x 835mm (h)  
Post: 60mm dia. x 890mm (h)
  - **Capacity:** Two leaning bicycles
  - **Weight:** Approximately 15 lbs.
  - **Installation:** Floor mounted or bolted down