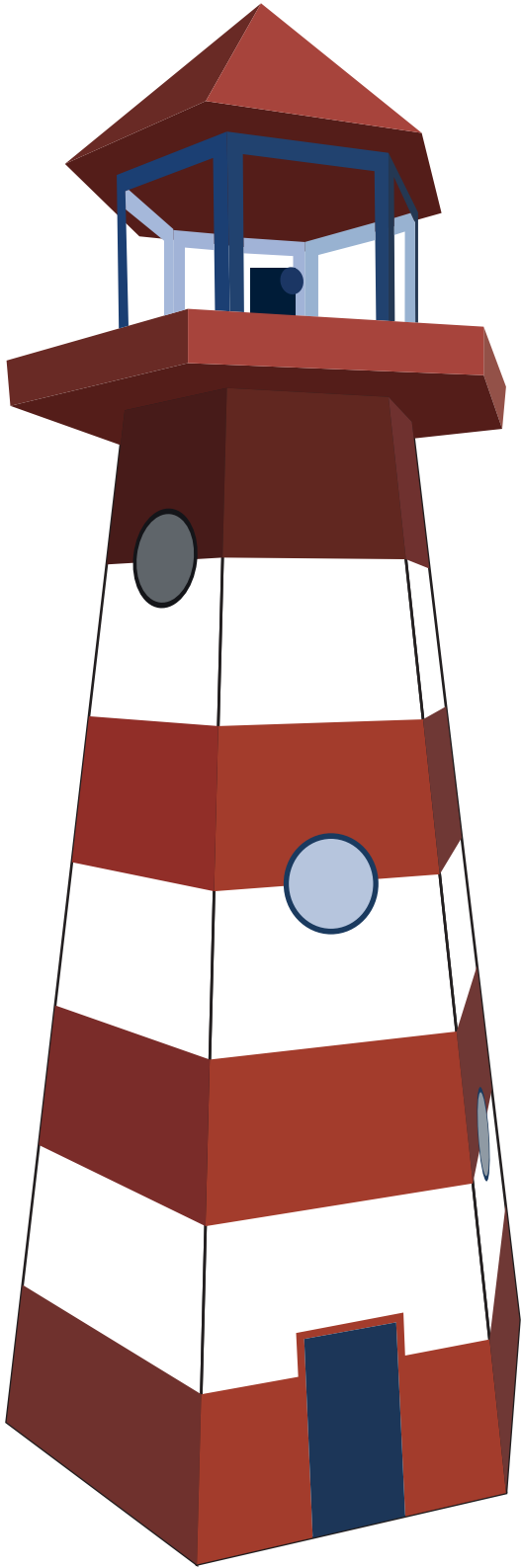
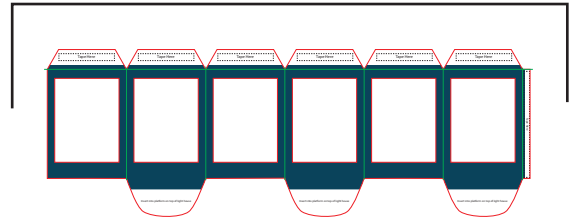


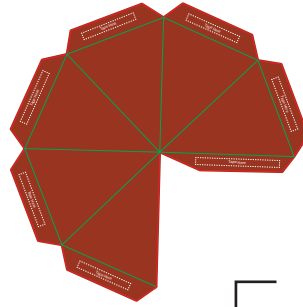
FINISHED LIGHTHOUSE



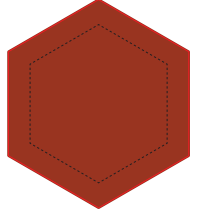
WINDOW PIECE



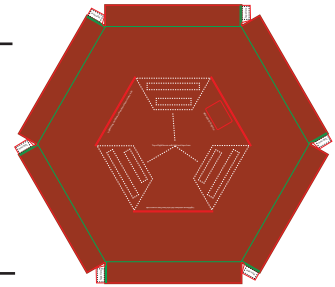
ROOF TOP



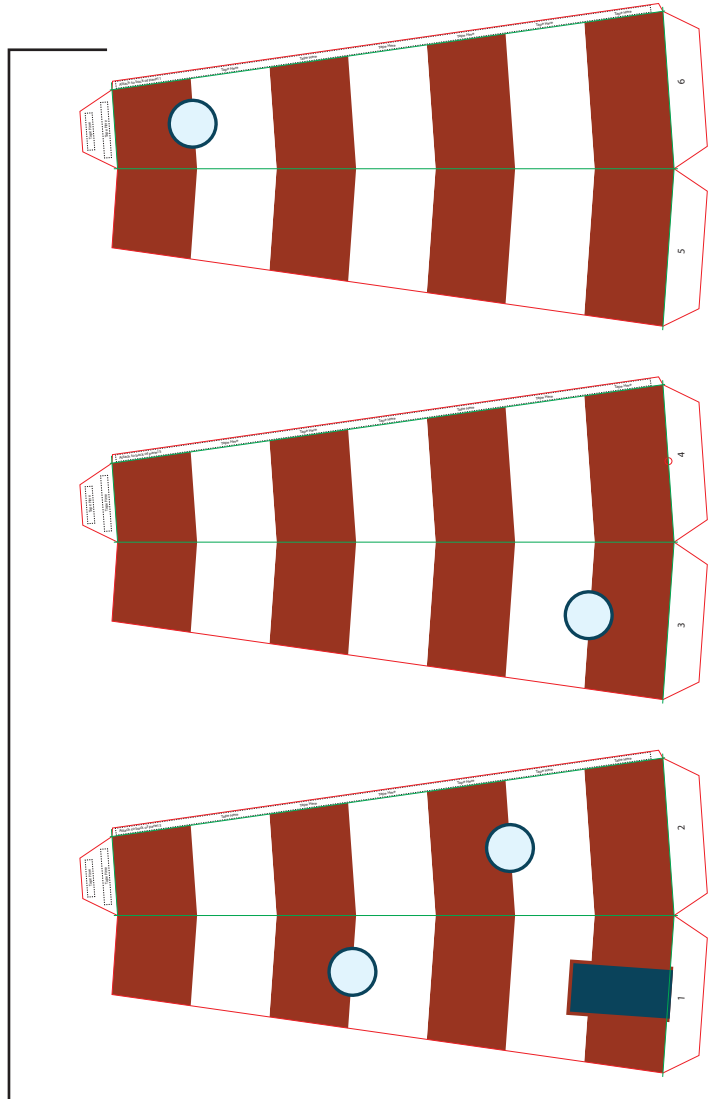
ROOF BOTTOM



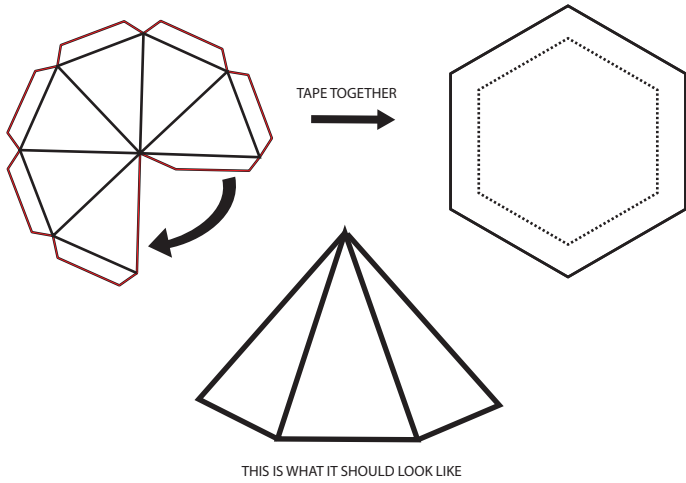
PLATFORM



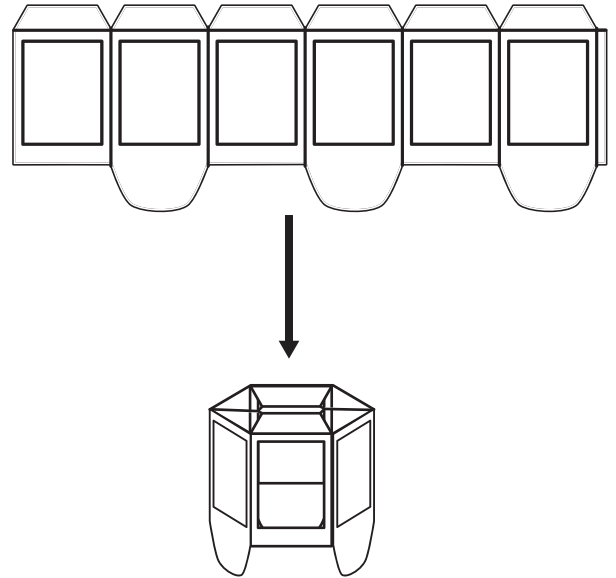
LIGHTHOUSE BODY PIECES



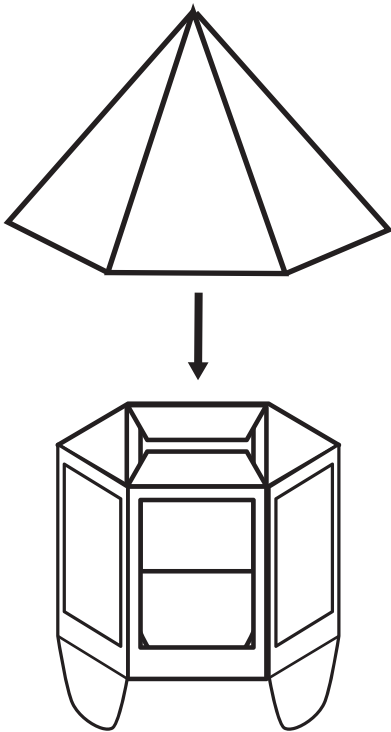
- A** Fold crease lines and tape tab on the roof top piece. Take folded tabs on rooftop and tape to the roof bottom piece. The bottom should be flat.



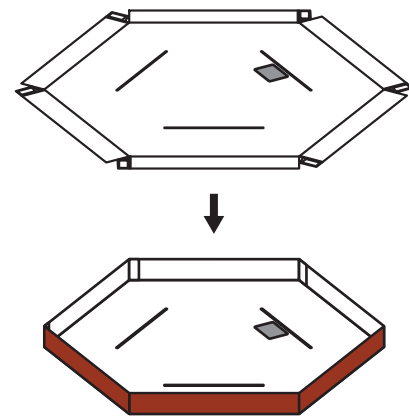
- B** Fold crease lines and tape tab on the window piece.



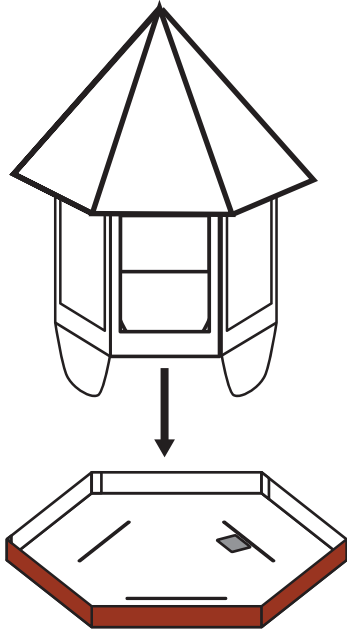
- C** Tape the tabs from the top of the window piece to the bottom of the roof piece.



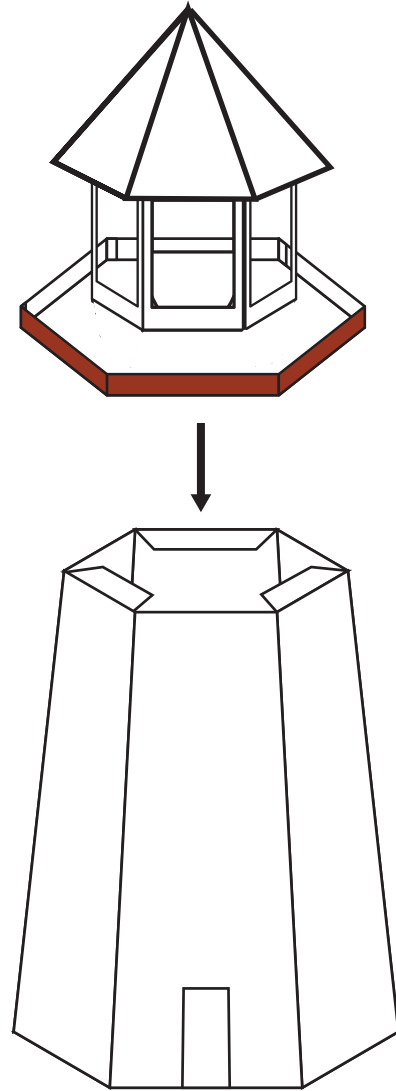
- D** Fold crease lines and tape tabs on the platform piece.



E Insert rounded tabs from window piece into corresponding slits on platform piece.

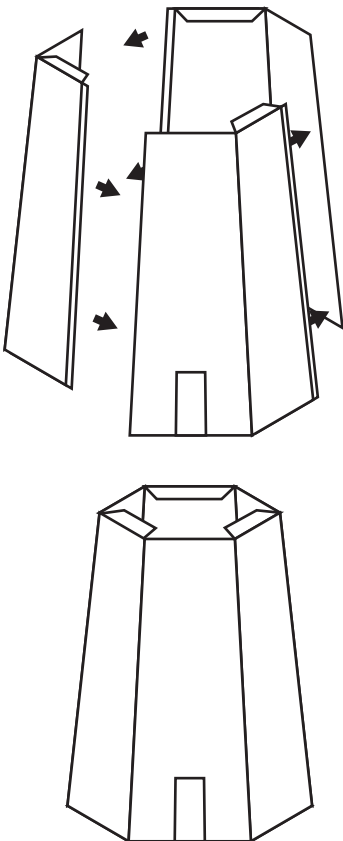


G Tape platform piece to the top of body piece. Your lighthouse should be complete now.



F Fold crease lines and tape tabs to each of the three body pieces. Place support pieces on cut line.

Fold the top tabs down.



FINAL PRODUCT SHOULD LOOK LIKE THIS

