

ZOE COMPACT



Features



ELECTRONIC AUTO-LEVEL

Through an electronic level probe, the boiler is automatically filled and maintained to the right filling level.



AUTOMATIC CLEANING CYCLE

Process for coffee groups cleaning.



ACTIVATED ELECTRONIC PREINFUSION

Management of the delayed activation of water solenoid in the first phase of brewing.



EASY SERVICE

Fast access to the internal parts, for quick and easy technical service.



DOUBLE READING GAUGE

Allows you to control the boiler pressure and the distribution pressure at the same time.

Compact version

2 GROUP

2 steam taps

1 water tap

1 one-cup portafilter

2 two-cup portafilters

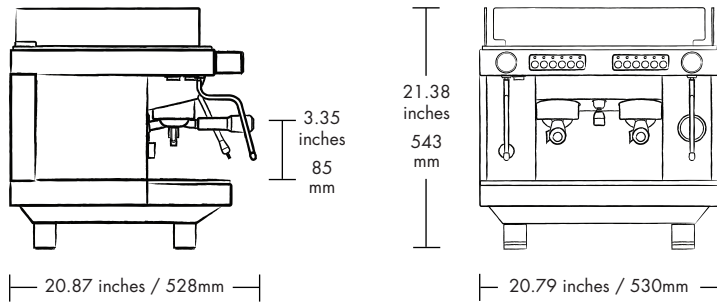
Technical data

		2 GROUP
voltage	V	220-240 1N, 50/60Hz
required amperage	A	15
power input	kW	2.7
steam boiler capacity	lt	7
steam boiler element	kW	2.4
pump power	kW	0.13
net weight	kg	45

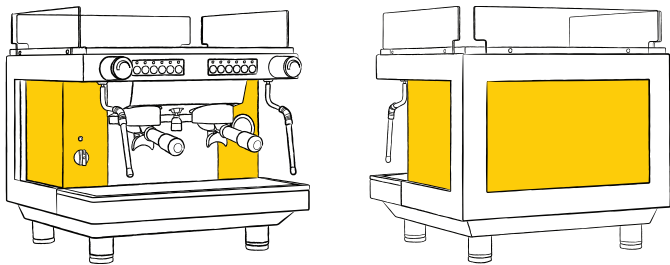


ZOE COMPACT

Standard height only



Easily Customisable Panels



Easily removable panels for easy customisation.



Colours



All images are subject to illustrative purpose. The manufacturer reserves the right to modify without prior notice the technical characteristics indicated in this document.

CONTACT US

info@sanremomachines.com.au
sanremomachines.com.au

