

**CHARMAN  
MANUFACTURING**



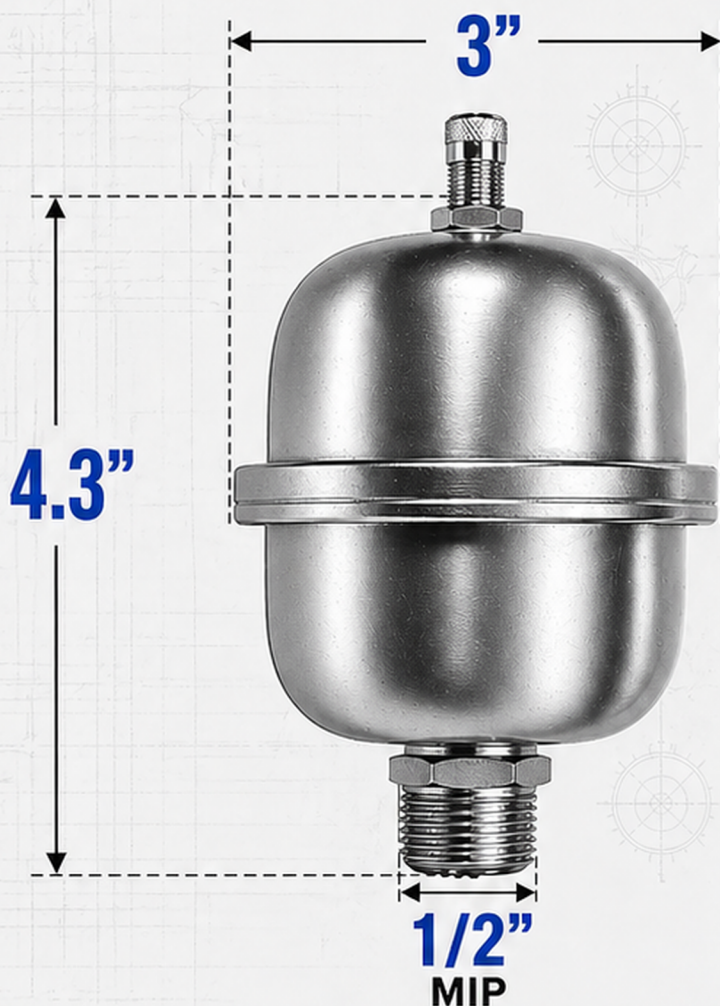
IN STOCK



INDUSTRIAL  
GRADE

**NEW PRODUCT**

# MINI EXPANSION TANK



## EXPANSION CAPACITY

UP TO 2 GALLONS RATING

## SPECIFICATIONS

- 304 Stainless Steel Body
- 304 Stainless Steel Threaded Connection
- Connection size 1/2" male pipe thread
- Factory pre-set Pressure to 50 PSI
- Maximum Design Pressure 145 PSI
- Maximum Design Temperature 210°F
- Handles 2-gal expansion



DURABLE 304  
STAINLESS STEEL



PRE-SET TO  
50 PSI



MAX TEMP  
210°F



(213) 489-7000



(213) 489-7075



INFO@CHARMANINC.COM



WWW.CHARMANINC.COM



5681 S. DOWNEY RD  
VERNON, CA 90058