

01

16'

8X8 POSTS
TYP.

02

A

12'

B

12'

24'

C

LEVEL 01 FLOOR PLAN

SCALE: 3/8" = 1'

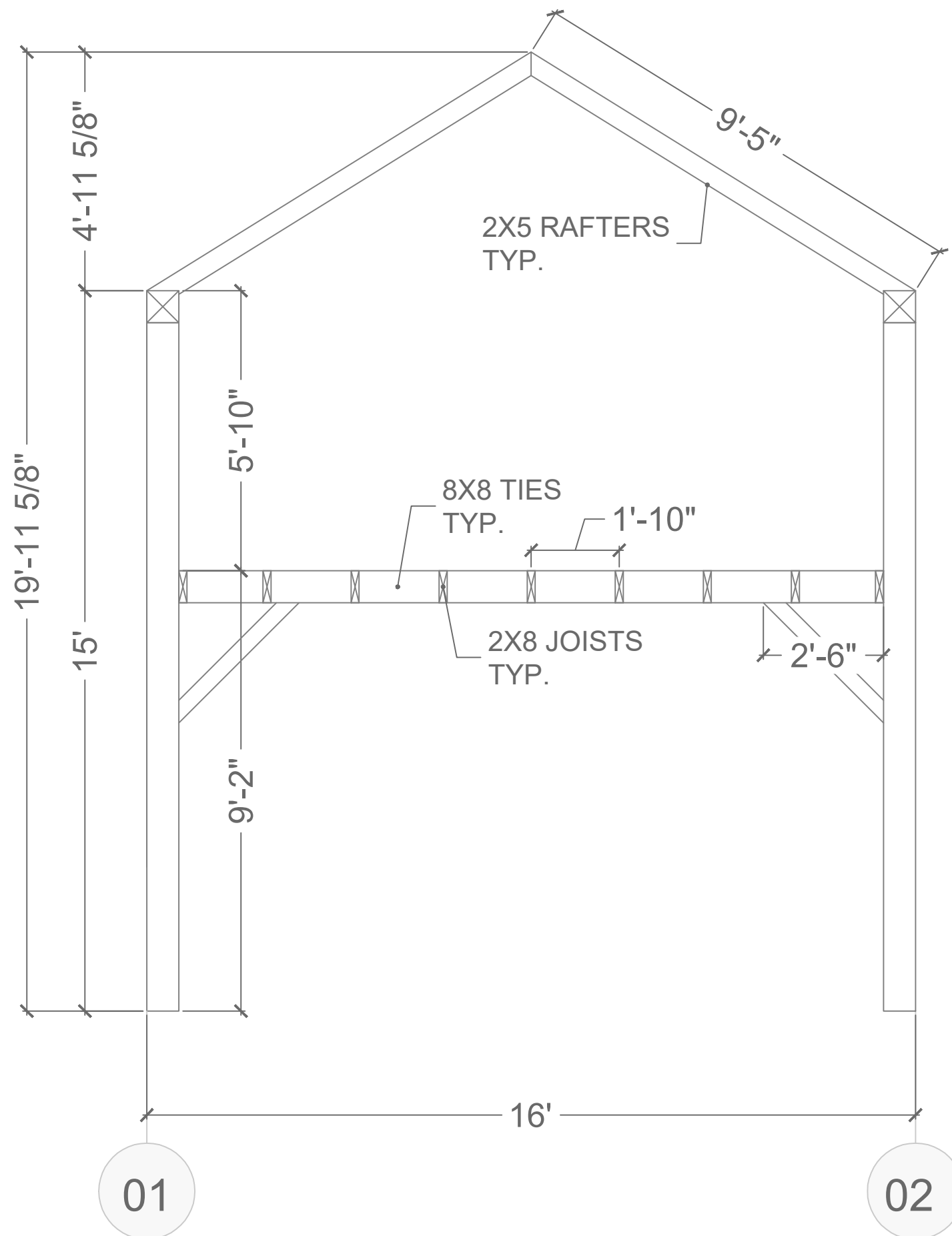


1450 CANEADEA
CANEADEA, NY

REV	REVISION DESCRIPTION	DATE
-	-	-
-	-	-
-	-	-
-	-	-

REVISION
01
DATE: 220829

PLANS
B100
DESIGN BY: ---
DRAWN BY: KMO



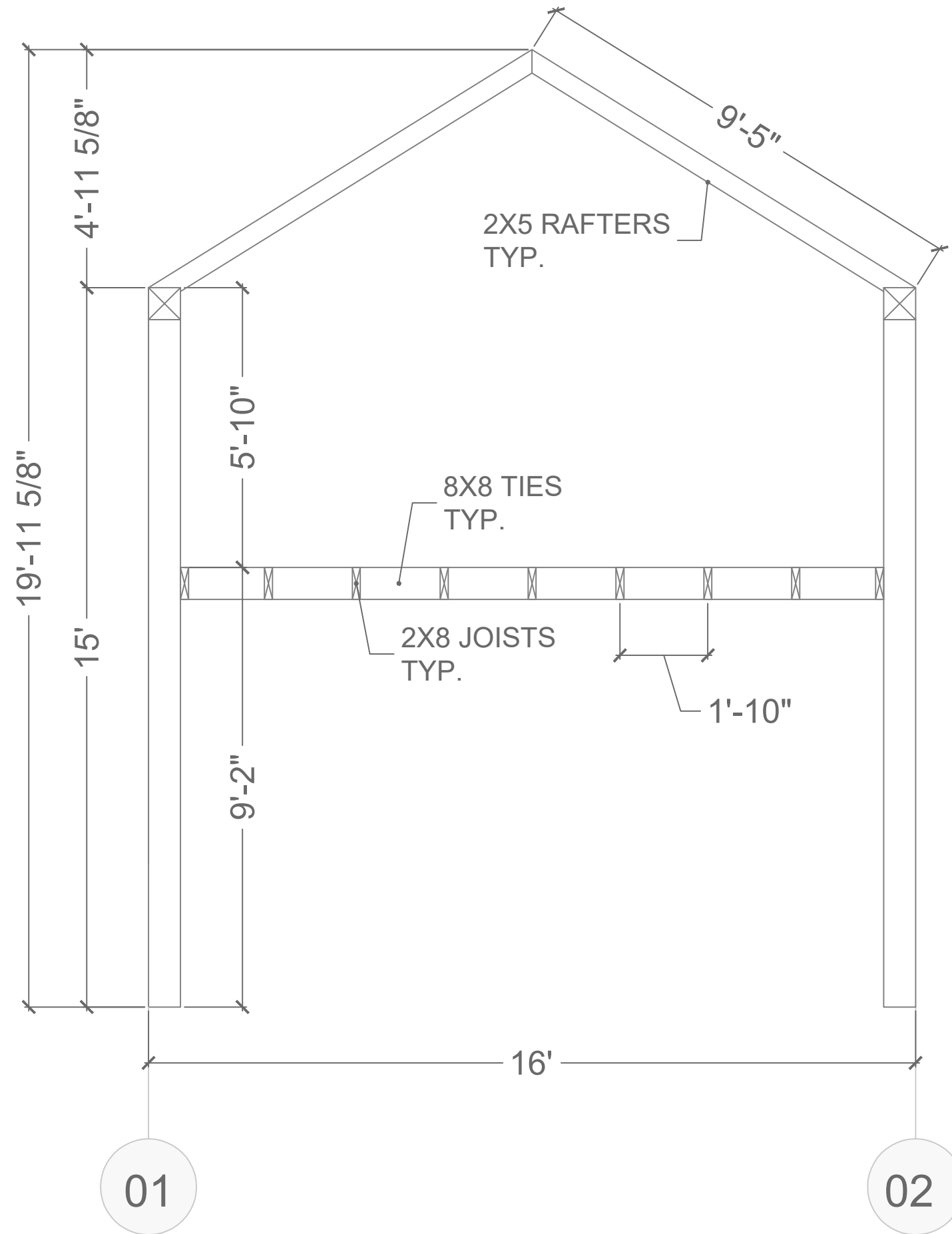
BENT A ELEVATION

SCALE: 3/8" = 1'

REV	REVISION DESCRIPTION	DATE

REVISION
01
DATE: 220829

ELEVATIONS
B200
DESIGN BY: ---
DRAWN BY: KMO



BENT B ELEVATION

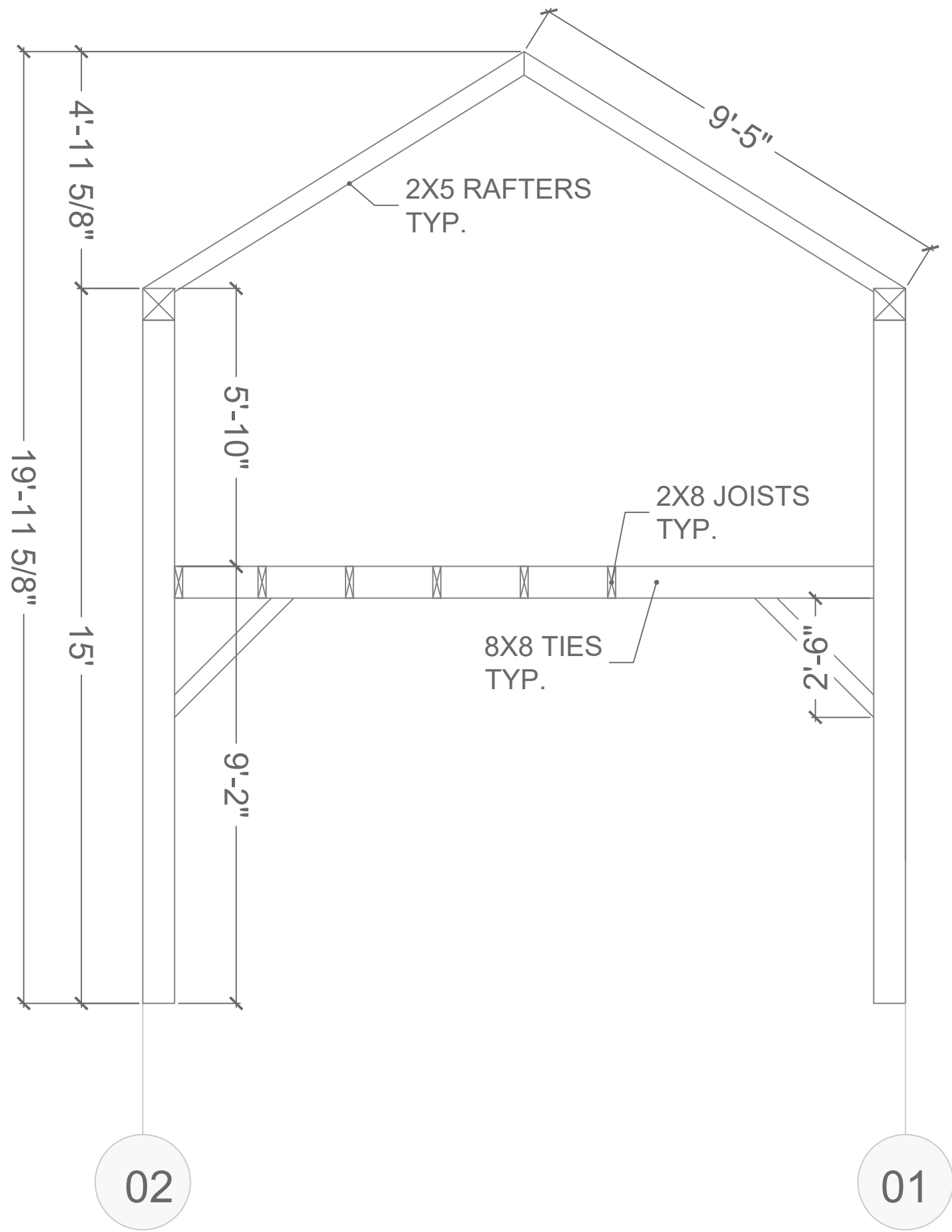
SCALE: 3/8" = 1'

1450 CANEADEA
 CANEADEA, NY

REV	REVISION DESCRIPTION	DATE

ELEVATIONS
01
 DATE: 220829

SHEET TITLE
B201
 DESIGN BY: ---
 DRAWN BY: KMO



BENT C ELEVATION

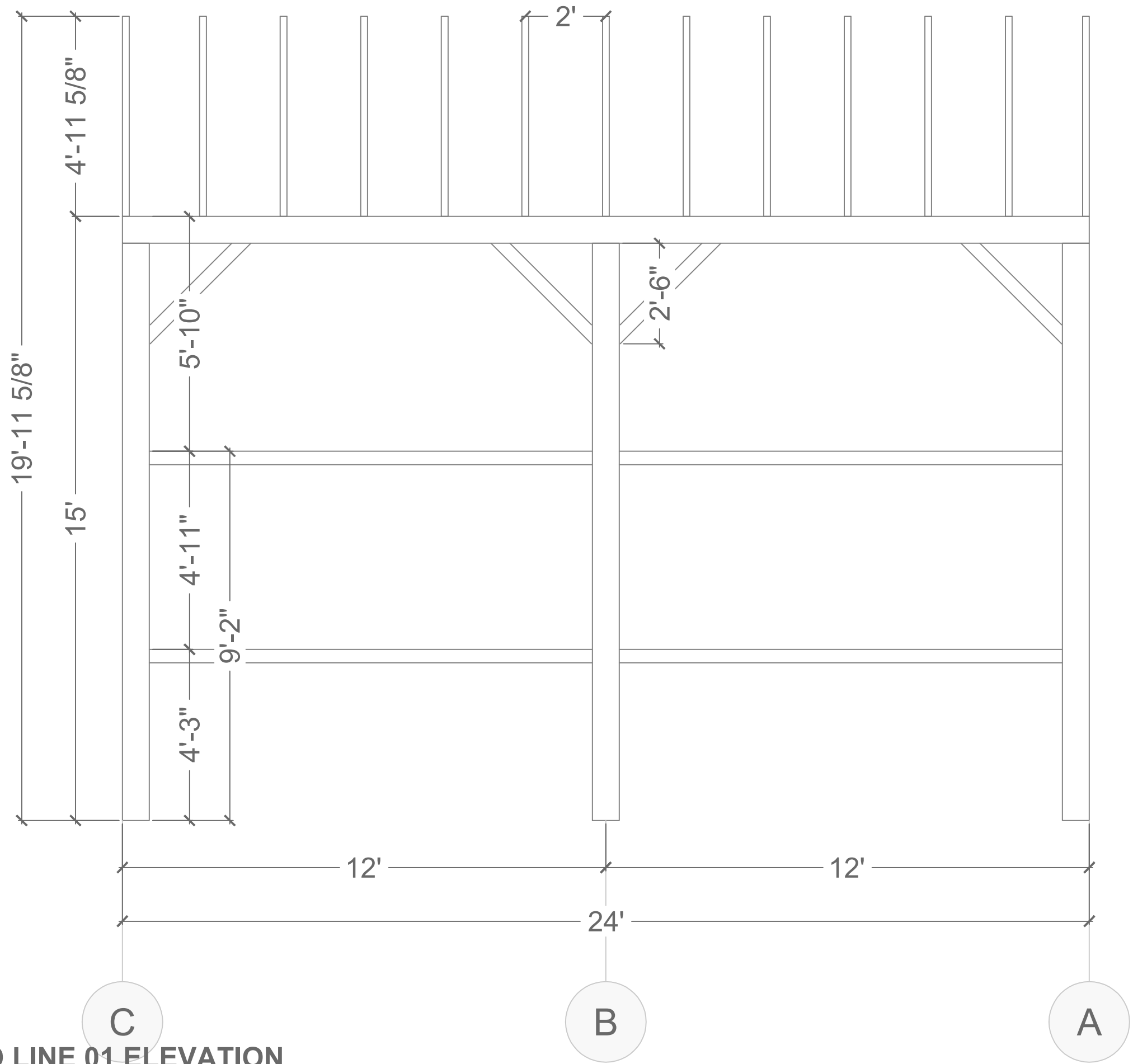
SCALE: 3/8" = 1'

1450 CANEADEA
 CANEADEA, NY

REV	REVISION DESCRIPTION	DATE
-	-	-
-	-	-
-	-	-
-	-	-

REVISION
01
DATE: 220829

ELEVATIONS
B202
DESIGN BY: ---
DRAWN BY: KMO



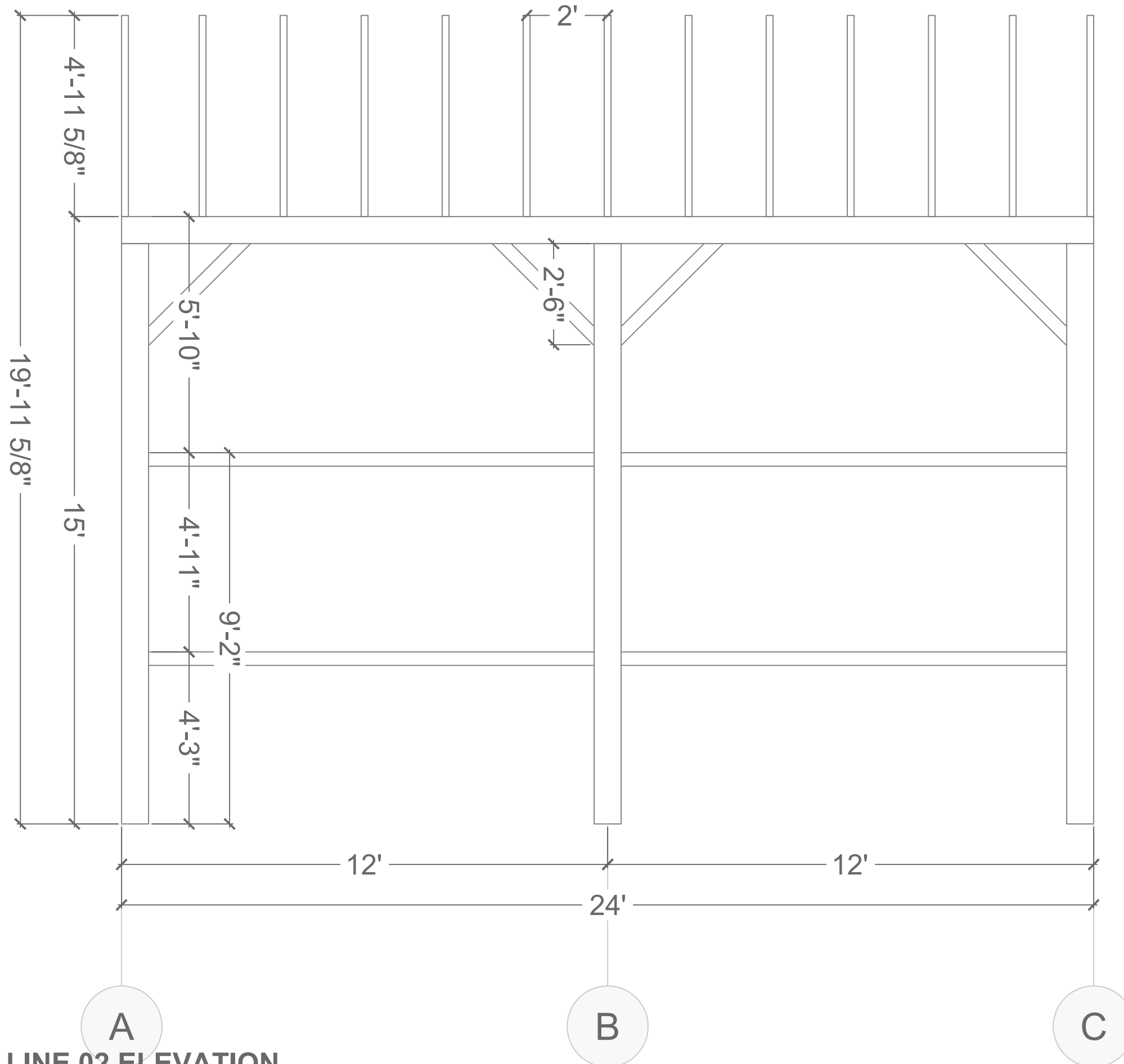
SIDEWALL GRID LINE 01 ELEVATION

SCALE: 3/8" = 1'

REV	REVISION DESCRIPTION	DATE

REVISION
01
DATE: 220829

ELEVATIONS
B203
DESIGN BY: ---
DRAWN BY: KMO



SIDEWALL GRID LINE 02 ELEVATION

SCALE: 3/8" = 1'

REV	REVISION DESCRIPTION	DATE

REVISION
01
DATE: 220829

ELEVATIONS
B204
DESIGN BY: ---
DRAWN BY: KMO