

**PLAN**

SCALE: 3/16" = 1'

REV.	REVISION DESCRIPTION	DATE

REVISION

01

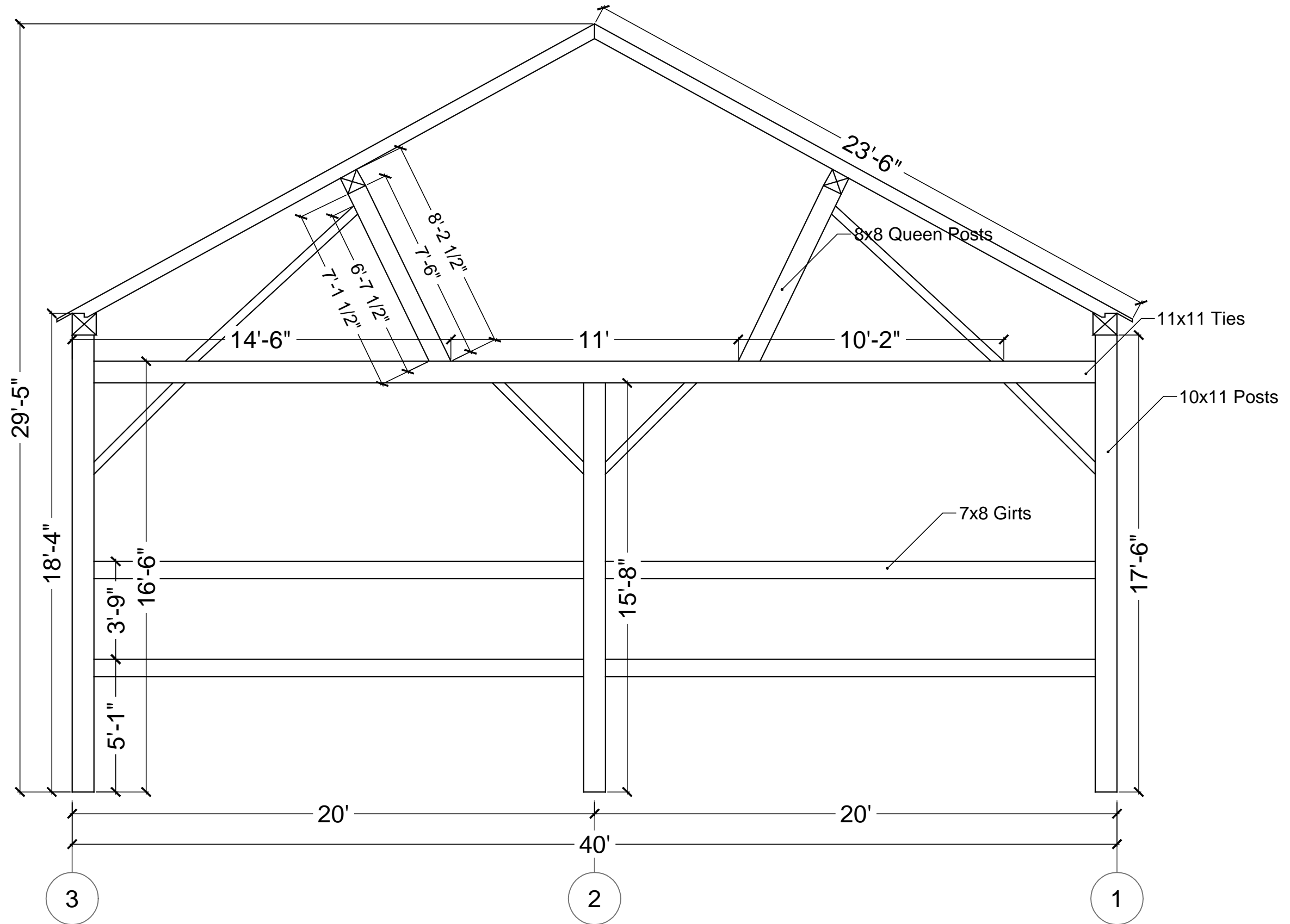
DATE: 161128

SHEET TITLE

B100

DESIGN BY: JJK

DRAWN BY: JJK

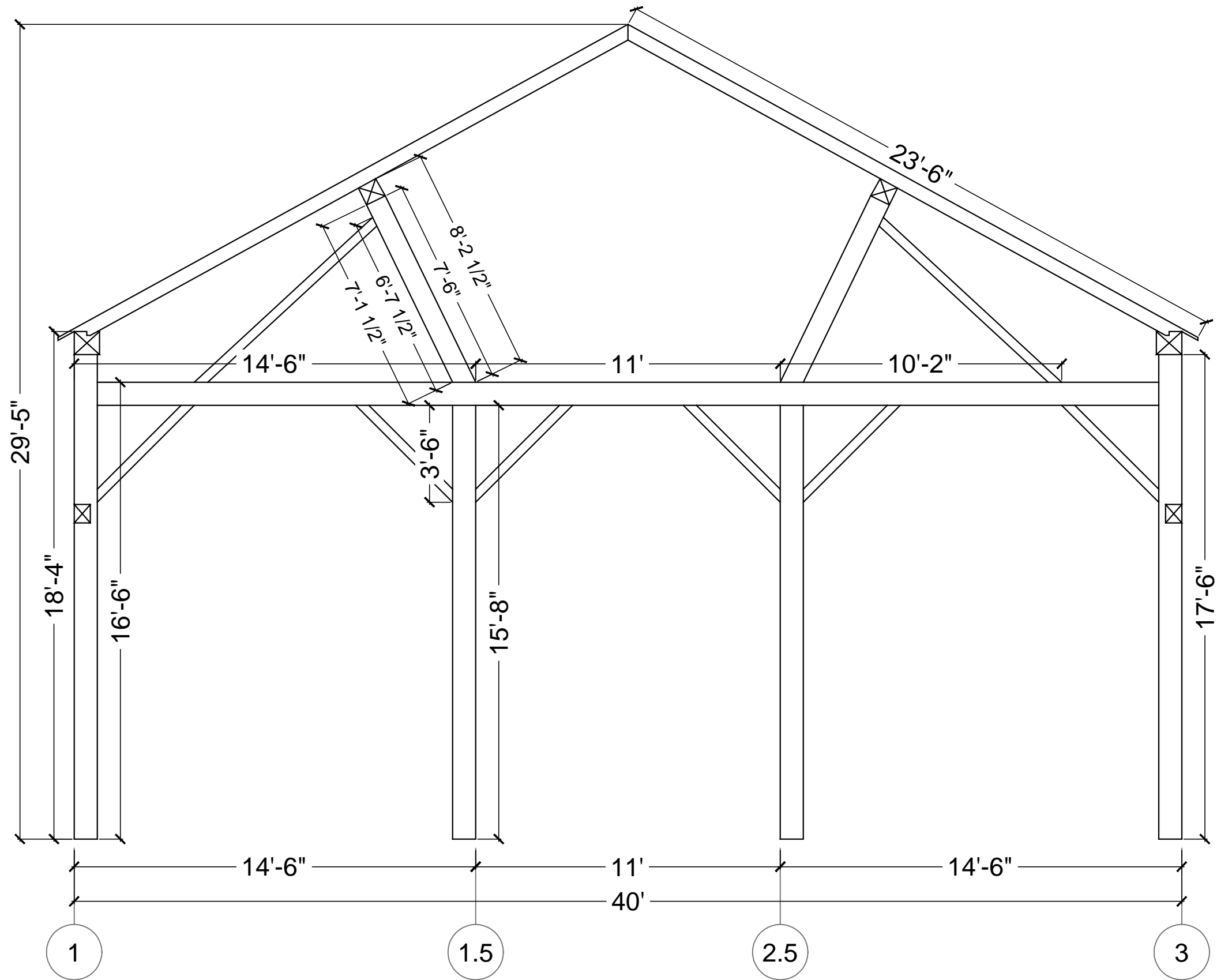


**BENT A**  
SCALE: 1/4" = 1'

REV.	REVISION DESCRIPTION	DATE

REVISION
01
DATE: 161128

SHEET TITLE
B101
DESIGN BY: JJK
DRAWN BY: JJK



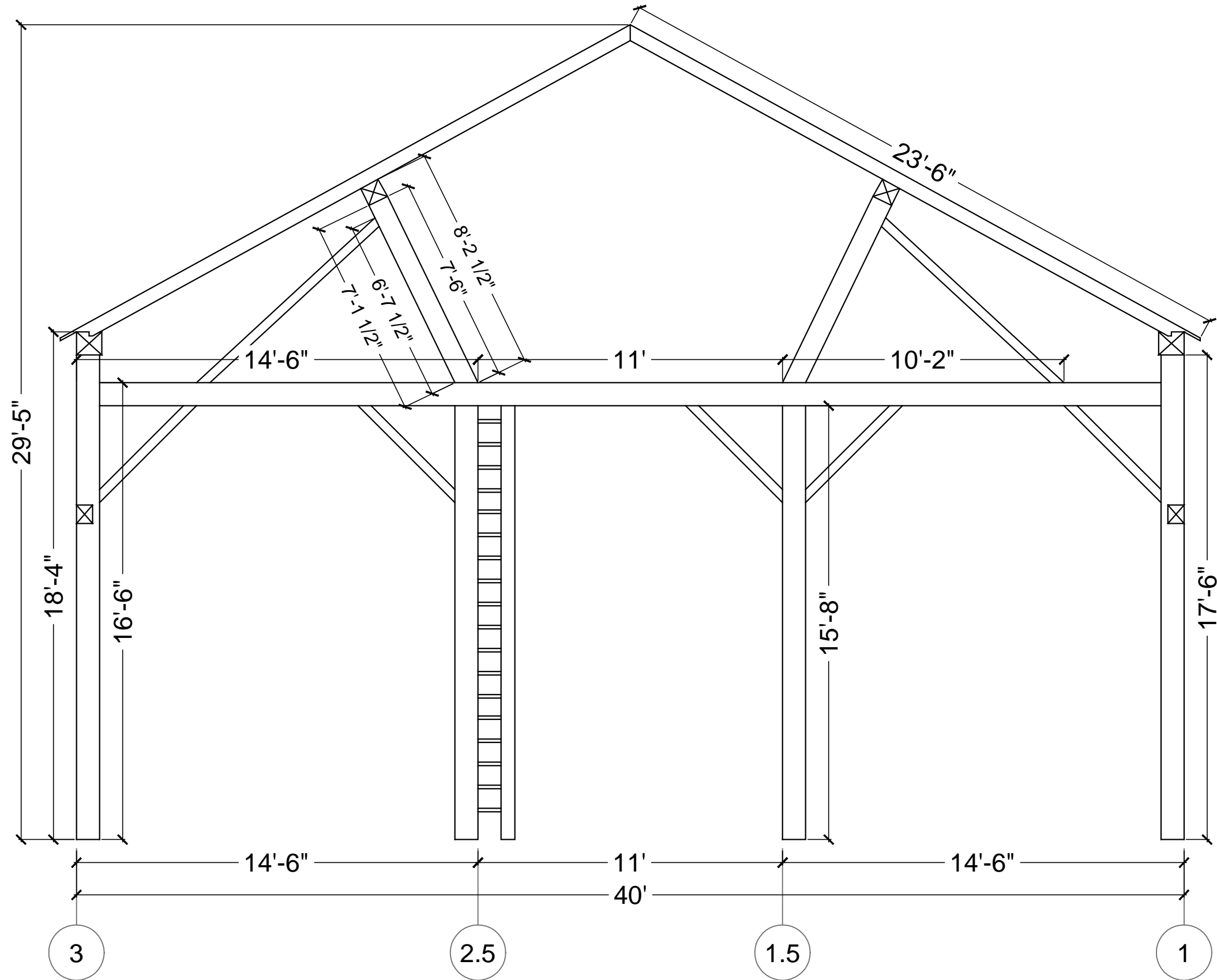
**BENT B**  
SCALE: 1/4" = 1'

1354 WALTON 1  
ONTARIO, CANADA

REV.	REVISION DESCRIPTION	DATE

REVISION
01
DATE: 161128

SHEET TITLE
B102
DESIGN BY: JJK
DRAWN BY: JJK



**BENT C**  
SCALE: 1/4" = 1'

1354 WALTON 1  
 ONTARIO, CANADA

REV.	REVISION DESCRIPTION	DATE

REVISION

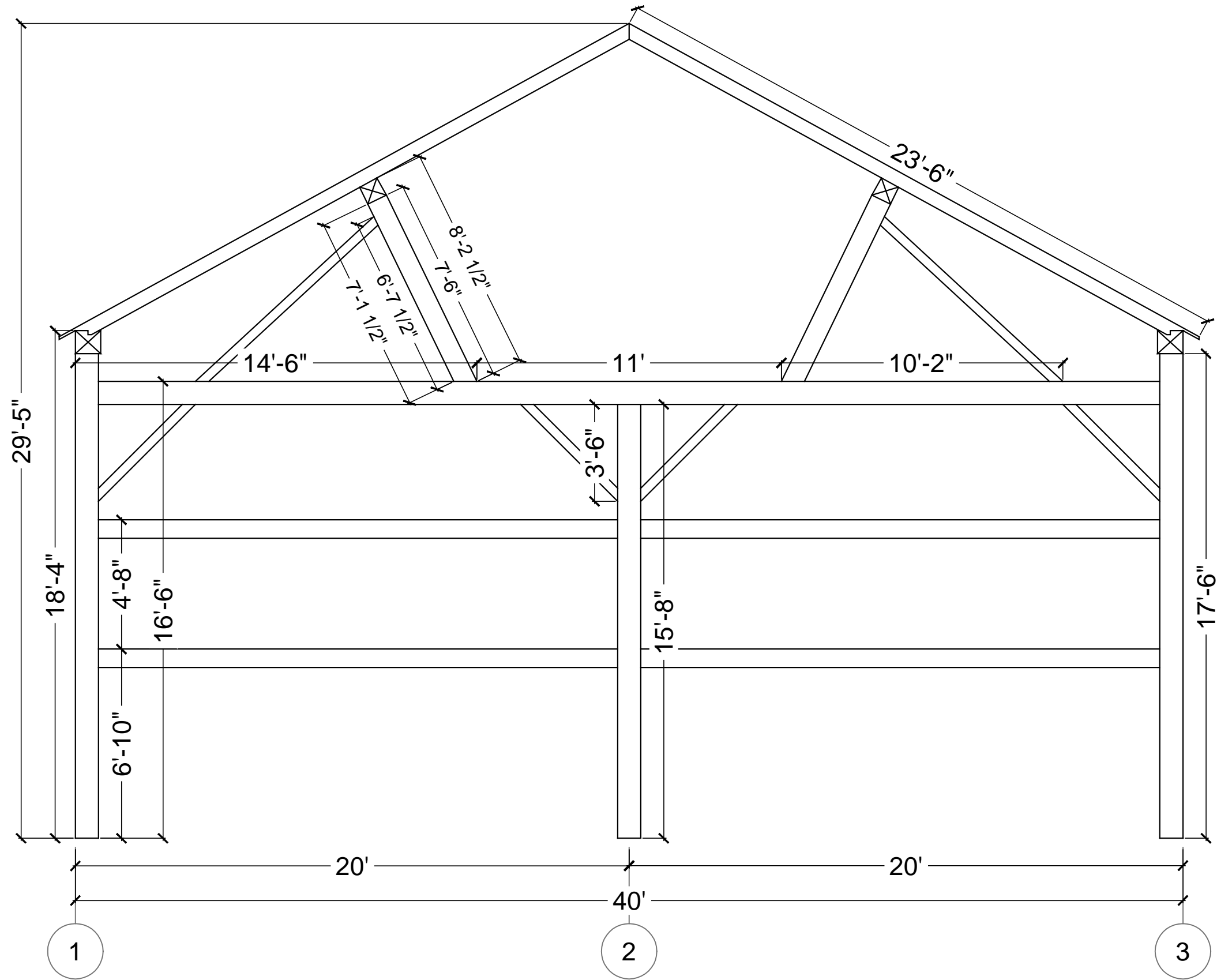
01

DATE: 161128

SHEET TITLE

B103

DESIGN BY: JJK  
 DRAWN BY: JJK

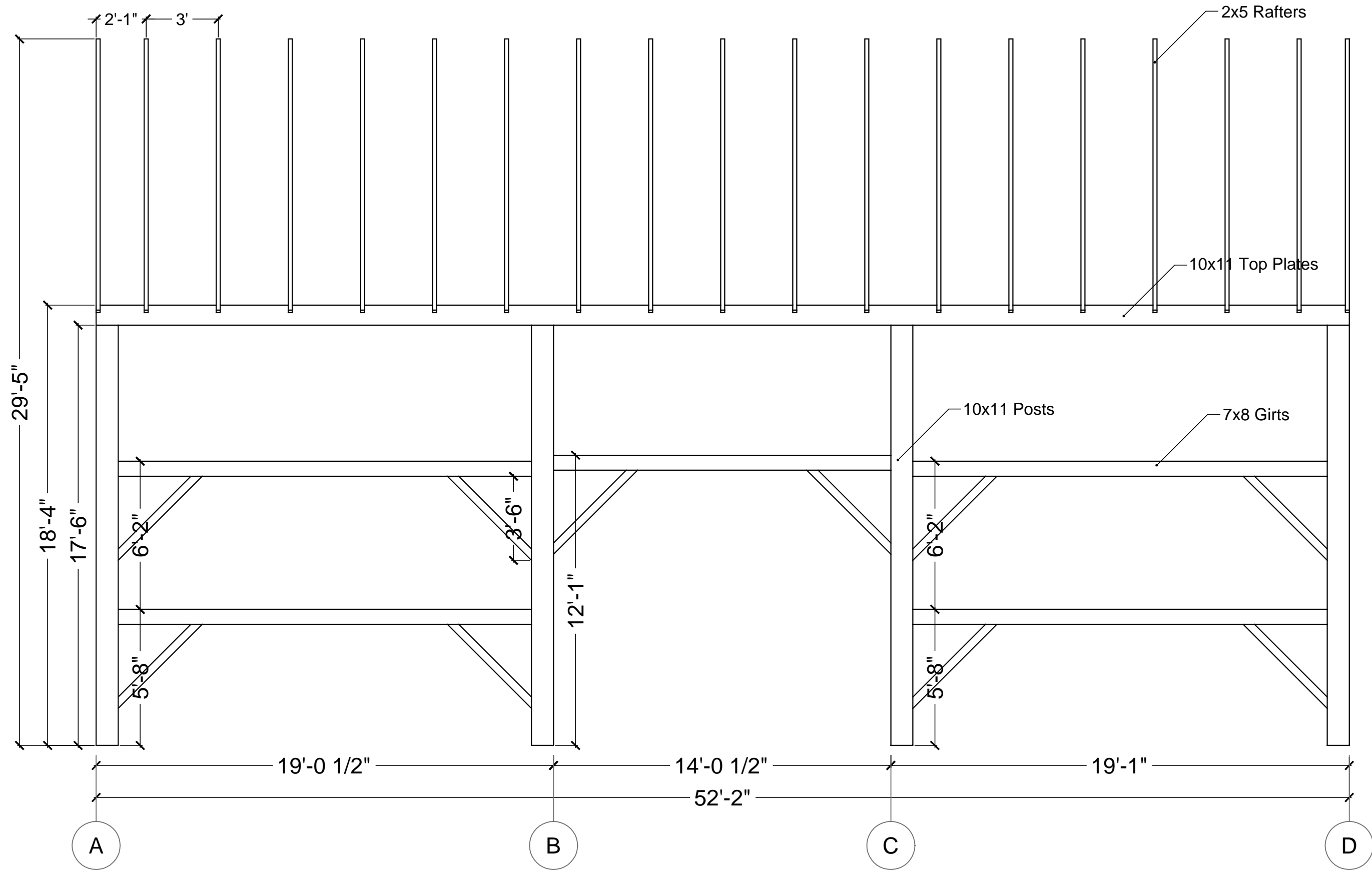


**BENT D**  
SCALE: 1/4" = 1'

REV.	REVISION DESCRIPTION	DATE

REVISION
01
DATE: 161128

SHEET TITLE
B104
DESIGN BY: JJK
DRAWN BY: JJK



**SIDEWALL AT GRIDLINE 1 (MIRRORED FOR GRIDLINE 3)**  
 SCALE: 1/4" = 1'

REV.	REVISION DESCRIPTION	DATE

REVISION
01
DATE: 161128

SHEET TITLE
B105
DESIGN BY: JJK
DRAWN BY: JJK