



B I A
T O O L S

REGULAR SINGLE ACTING

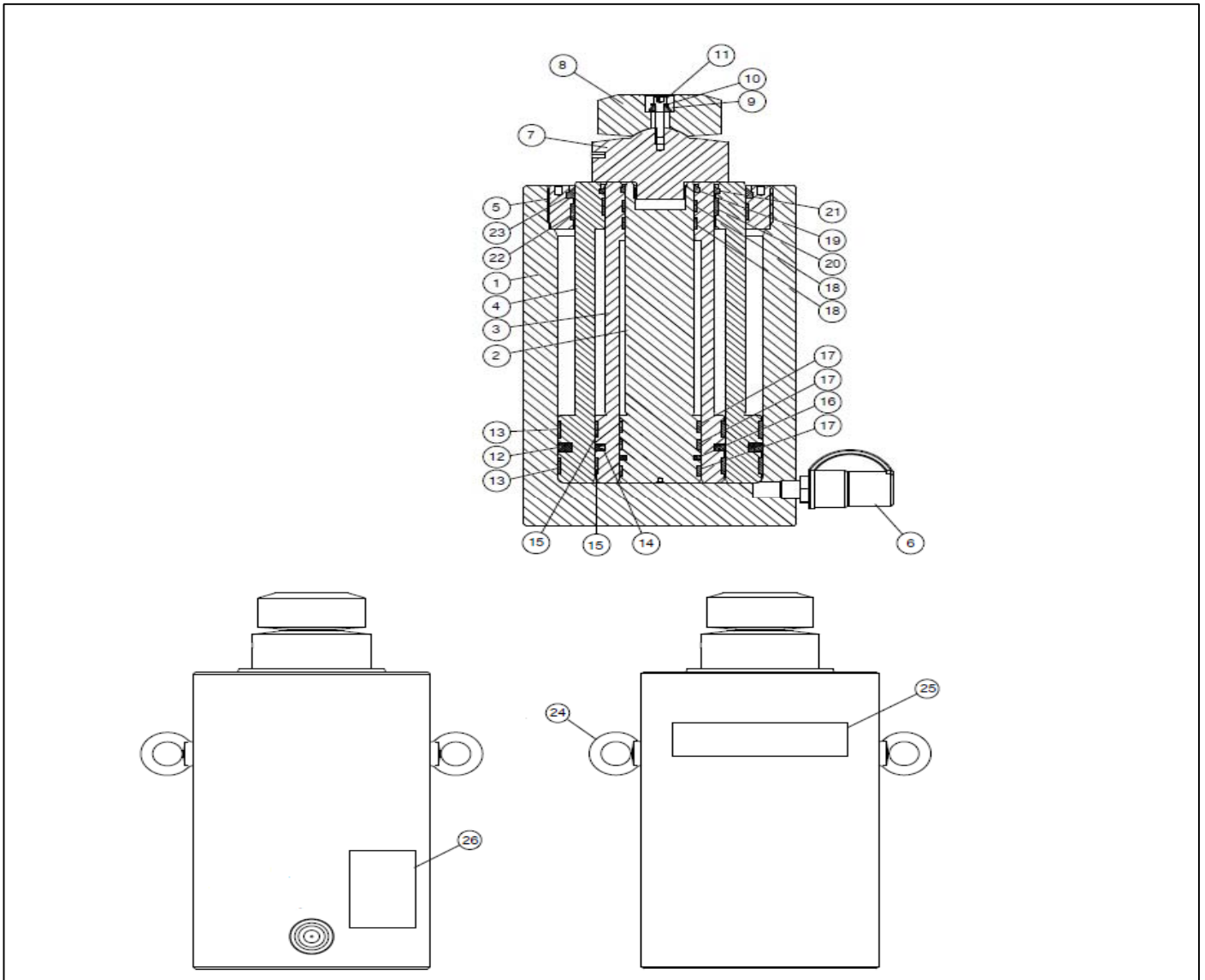
MODEL: TC10-3, TC15-3

Form. #

sales@bia-tools.com www.bia-tools.com

Not all components of cylinder are replacement items, but are illustrated as a convenient reference of location and position in the assembly sequence.

PARTS ILLUSTRATION





B I A
T O O L S

REGULAR SINGLE ACTING

MODEL: TC10-3, TC15-3

Form. #

sales@bia-tools.com www.bia-tools.com

PARTS LIST

ITEM	DESCRIPTION	QTY	TC10-3	TC15-3
1	Base	1	BT-TC10-3-01	BT-TC15-3-01
2	Plunger	1	BT-TC10-3-02	BT-TC15-3-02
3	Plunger	1	BT-TC10-3-03	BT-TC15-3-03
4	Plunger	1	BT-TC10-3-04	BT-TC15-3-04
5	Stop Ring	1	BT-TC10-3-05	BT-TC15-3-05
6	Female Coupler	1	BT-TC10-3-06	BT-TC15-3-06
7	Tilting Saddle Base	1	BT-TC10-3-07	BT-TC15-3-07
8	Saddle	1	BT-TC10-3-08	BT-TC15-3-08
9	Spring Cone	1	BT-TC10-3-09	BT-TC15-3-09
10	Flat Washer	1	BT-TC10-3-10	BT-TC15-3-10
11	Screw	1	BT-TC10-3-11	BT-TC15-3-11
12	Piston Seal	1	*	*
13	Bearing Piston	2	*	*
14	Piston Seal	1	*	*
15	Bearing Piston	2	*	*
16	Piston Seal	1	*	*
17	Bearing	3	*	*
18	Bearing Rod	2	*	*
19	Scraper	1	*	*



B I A **T O O L S**

REGULAR SINGLE ACTING

MODEL: TC10-3, TC15-3

Form. #

sales@bia-tools.com www.bia-tools.com#

PARTS LIST

ITEM	DESCRIPTION	QTY	TC10-3	TC15-3
20	Bearing Rod	1	*	*
21	Scraper	1	*	*
22	Bearing Rod	1	*	*
23	Scraper	1	*	*
24	Eyebolt, Rotating	2	BT-TC10-3-24	BT-TC15-3-24
25	Decal	1	*	*
26	Warning Decal	1	*	*
27	Coupler O-Ring	1	*	*
*	Repair Kit	1	BT-TC10-3-RK	BT-TC15-3-RK