



B I A
T O O L S

REGULAR SINGLE ACTING

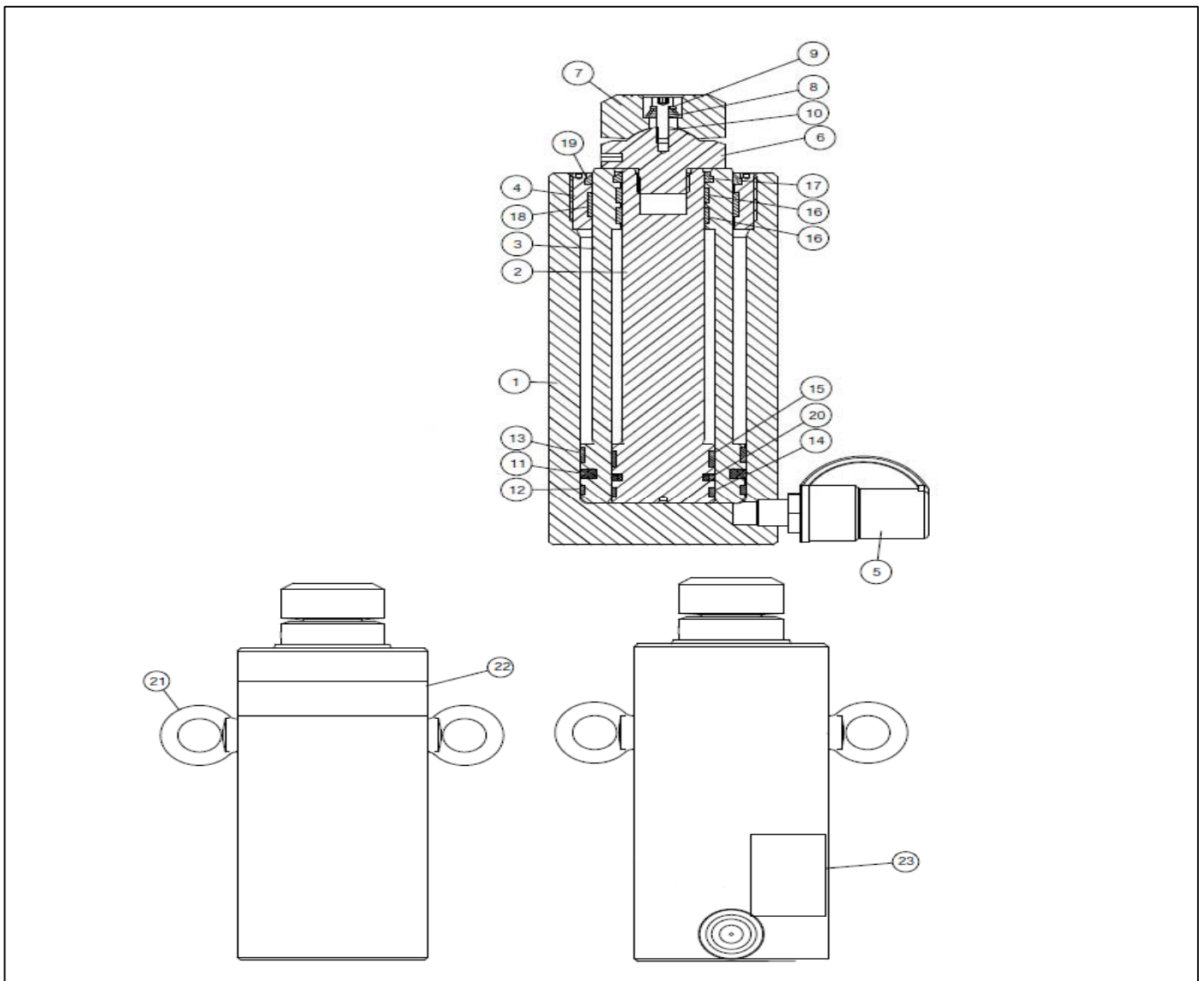
MODEL: TC10-2, TC15-2, TC30-2

Form. #

sales@bia-tools.com www.bia-tools.com

Not all components of cylinder are replacement items, but are illustrated as a convenient reference of location and position in the assembly sequence.

PARTS ILLUSTRATION





B I A
T O O L S

REGULAR SINGLE ACTING

MODEL: TC10-2, TC15-2, TC30-2

Form. #

sales@bia-tools.com www.bia-tools.com

PARTS LIST

ITEM	DESCRIPTION	QTY	TC10-2	TC15-2	TC30-2
1	Base	1	BT-TC10-2-01	BT-TC15-2-01	BT-TC30-2-01
2	Plunger	1	BT-TC10-2-02	BT-TC15-2-02	BT-TC30-2-02
3	Plunger	1	BT-TC10-2-03	BT-TC15-2-03	BT-TC30-2-03
4	Stop Ring	1	BT-TC10-2-04	BT-TC15-2-04	BT-TC30-2-04
5	Female Coupler	1	BT-TC10-2-05	BT-TC15-2-05	BT-TC30-2-05
6	Tilting Saddle Base	1	BT-TC10-2-06	BT-TC15-2-06	BT-TC30-2-06
7	Saddle	1	BT-TC10-2-07	BT-TC15-2-07	BT-TC30-2-07
8	Spring Cone	1	BT-TC10-2-08	BT-TC15-2-08	BT-TC30-2-08
9	Flat Washer	1	BT-TC10-2-09	BT-TC15-2-09	BT-TC30-2-09
10	Screw	1	BT-TC10-2-10	BT-TC15-2-10	BT-TC30-2-10
11	Piston Seal	1	*	*	*
12	Bearing Piston	1	*	*	*
13	Bearing Piston	1	*	*	*
14	Bearing Piston	1	*	*	*
15	Bearing Piston	1	*	*	*
16	Bearing	2	*	*	*
17	Scraper	1	*	*	*
18	Bearing Rod	1	*	*	*
19	Scraper	1	*	*	*



B I A **T O O L S**

REGULAR SINGLE ACTING

MODEL: TC10-2, TC15-2, TC30-2

Form. #

sales@bia-tools.com www.bia-tools.com#

PARTS LIST

ITEM	DESCRIPTION	QTY	TC10-2	TC15-2	TC30-2
20	Piston Seal	1	*	*	*
21	Eyebolt, Rotating	2	BT-TC10-2-21	BT-TC15-2-21	BT-TC30-2-21
22	Decal	1	*	*	*
23	Warning Decal	1	*	*	*
24	Coupler O-Ring (Not Shown)	1	*	*	*
*	Repair Kit	1	BT-TC10-2-RK	BT-TC15-2-RK	BT-TC30-2-RK