



B I A
T O O L S

LOW PROFILE
SINGLE ACTING

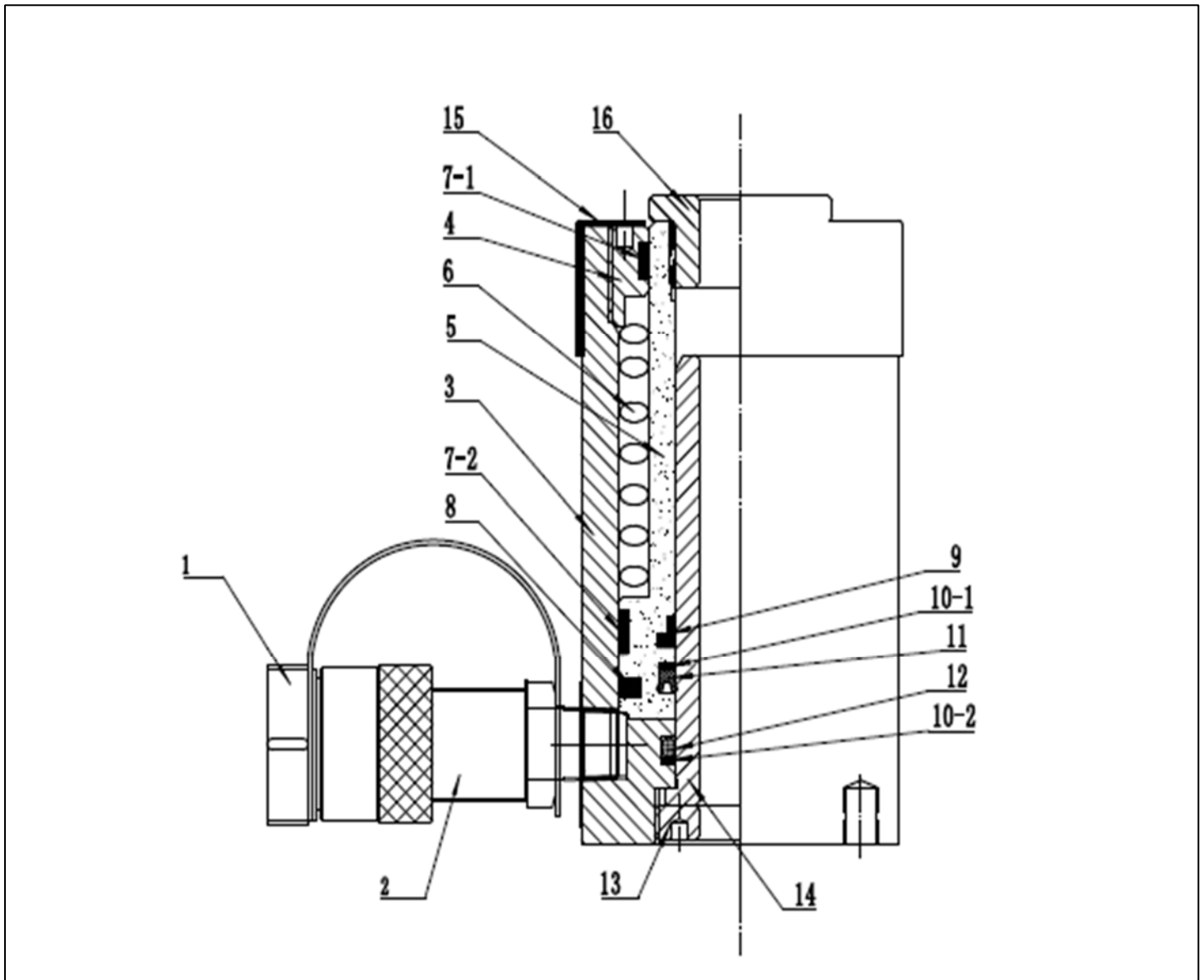
MODEL: SH-603, SH-606, SH-1003

Form. #

sales@bia-tools.com www.bia-tools.com

Not all components of cylinder are replacement items, but are illustrated as a convenient reference of location and position in the assembly sequence.

PARTS ILLUSTRATION





B I A
T O O L S

LOW PROFILE
SINGLE ACTING

MODEL: SH-603, SH-606, SH-1003

Form. #

sales@bia-tools.com www.bia-tools.com

PARTS LIST

ITEM	DESCRIPTION	QTY	SH-603	SH-606	SH-1003
1	Coupler Cover	1	BT-QCC06	BT-QCC06	BT-QCC06
2	Quick Coupler	1	BT-QCF06	BT-QCF06	BT-QCF06
3	Cylinder Body	1	BT-SH603-3	BT-SH606-3	BT-SH1003-3
4	Guide Sleeve	1	BT-SH60-4	BT-SH60-4	BT-SH100-4
5	Piston Rod	1	BT-SH603-5	BT-SH606-5	BT-SH1003-5
6	Spring (Included #7)	1	BT-SH603-6	BT-SH606-6	BT-SH1003-6
7	Guide Ring	2	BT-SH60-7	BT-SH60-7	BT-SH100-7
8	Seal Ring	1	*	*	*
9	Wiper	1	*	*	*
10	Telfon Retaining Ring	2/3	*	*	*
11	Seal Ring	1	*	*	*
12	O Ring	1	*	*	*
13	Bottom Fixing Sleeve	1	BT-SH60-13	BT-SH60-13	BT-SH100-13
14	Guide Pile	1	*	*	*
15	Thread Protector	1	BT-SH60-15	BT-SH60-15	BT-SH100-15
16	Adapter	1	BT-SH60-16	BT-SH60-16	BT-SH100-16
17	Wiper	1	*	*	*
18	Eyebolt	2	BT-SH60-18	BT-SH60-18	BT-SH100-18
*	Included in Repair Kit	1	BT-SH60-RK	BT-SH60-RK	BT-SH100-RK