



B I A
T O O L S

LOW PROFILE
SINGLE ACTING

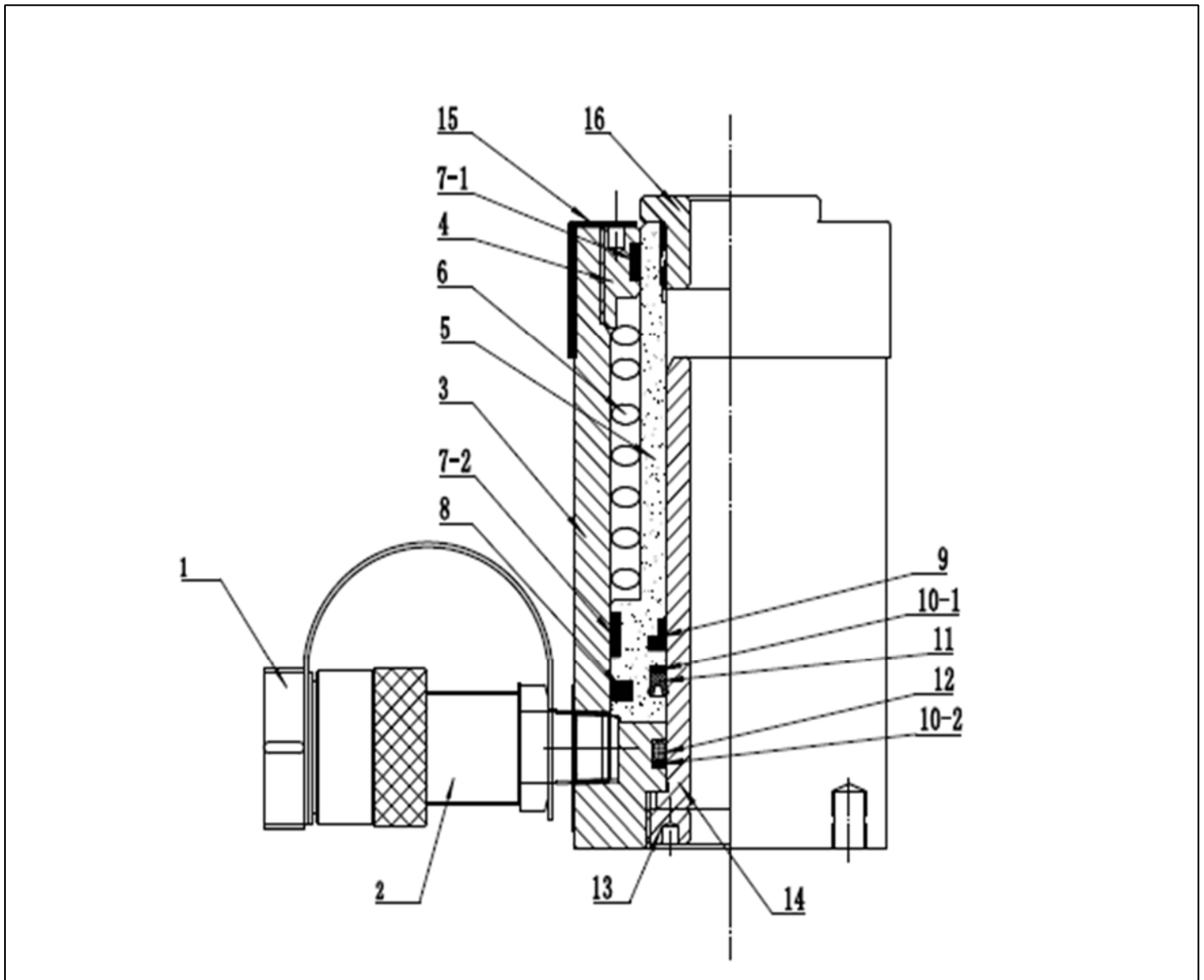
MODEL: SH-120, SH-121, SH-123

Form. #

sales@bia-tools.com www.bia-tools.com

Not all components of cylinder are replacement items, but are illustrated as a convenient reference of location and position in the assembly sequence.

PARTS ILLUSTRATION





B I A
T O O L S

LOW PROFILE
SINGLE ACTING

MODEL: SH-120, SH-121, SH-123

Form. #

sales@bia-tools.com www.bia-tools.com

PARTS LIST

ITEM	DESCRIPTION	QTY	SH-120	SH-121	SH-123
1	Coupler Cover	1	BT-QCC06	BT-QCC06	BT-QCC06
2	Quick Coupler	1	BT-QCF06	BT-QCF06	BT-QCF06
3	Cylinder Body	1	BT-SH120-3	BT-SH121-3	BT-SH123-3
4	Guide Sleeve	1	BT-SH12-4	BT-SH12-4	BT-SH12-4
5	Piston Rod	1	BT-SH120-5	BT-SH121-5	BT-SH123-5
6	Spring (Included #7)	1	BT-SH120-6	BT-SH121-6	BT-SH123-6
7	Guide ring	2	-	-	-
8	Seal Ring	1	*	*	*
9	Wiper	1	*	*	*
10	Telfon Retaining Ring	2/3	*	*	*
11	Seal Ring	1	*	*	*
12	O Ring	1	*	*	*
13	Bottom Fixing Sleeve	1	BT-SH12-13	BT-SH12-13	BT-SH12-13
14	Guide Pile	1	*	*	*
15	Thread Protector	1	BT-SH12-15	BT-SH12-15	BT-SH12-15
16	Adapter	1	BT-SH12-16	BT-SH12-16	BT-SH12-16
17	Wiper	1	-	-	-
18	Eyebolt	2	-	-	-
*	Included in Repair Kit	1	BT-SH12-RK	BT-SH12-RK	BT-SH12-RK