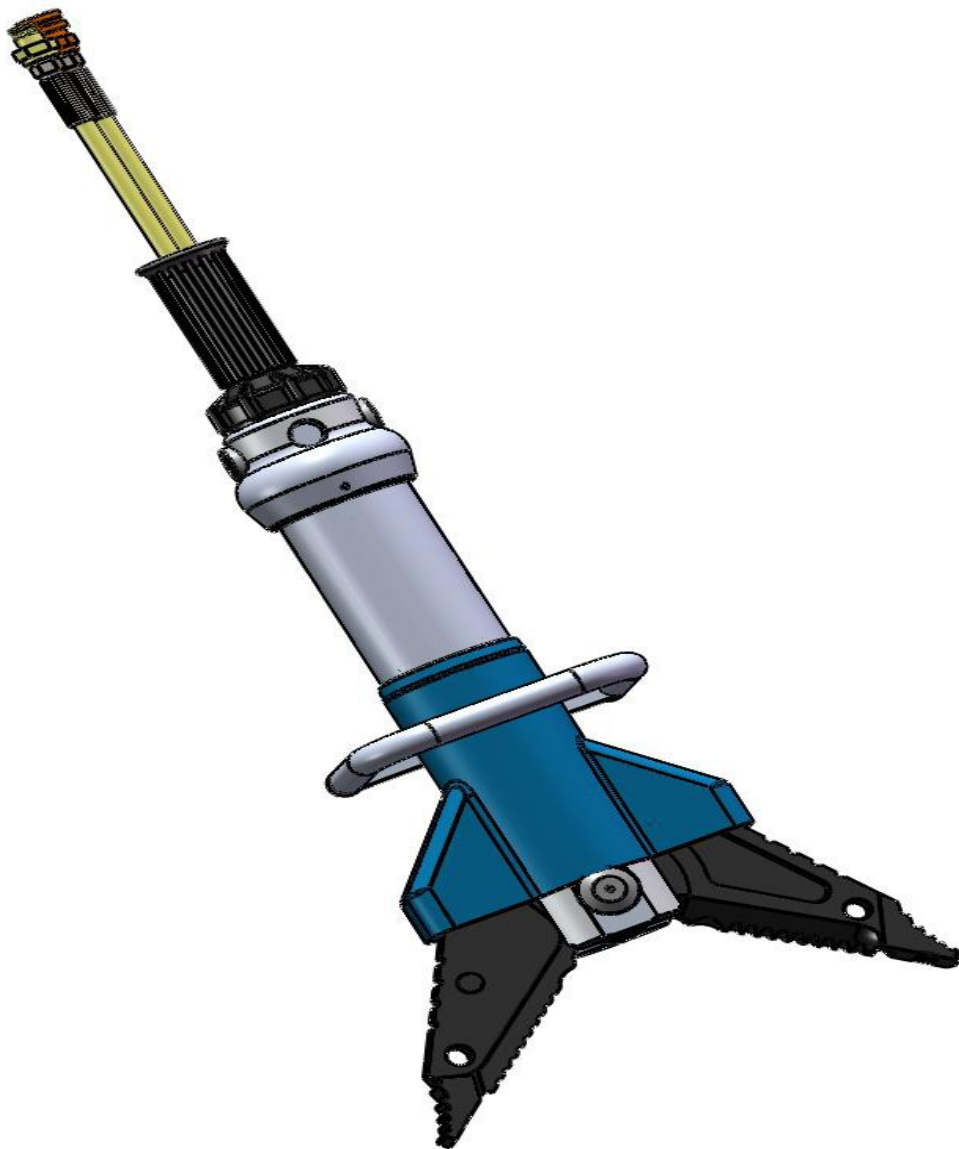


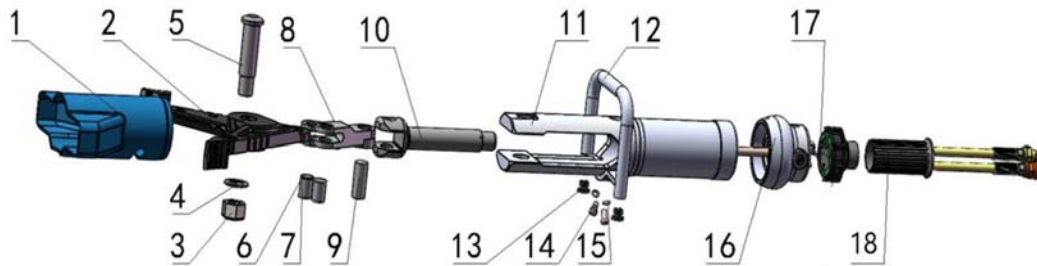


**RHCC-257**

**Hydraulic rescue combi tool**

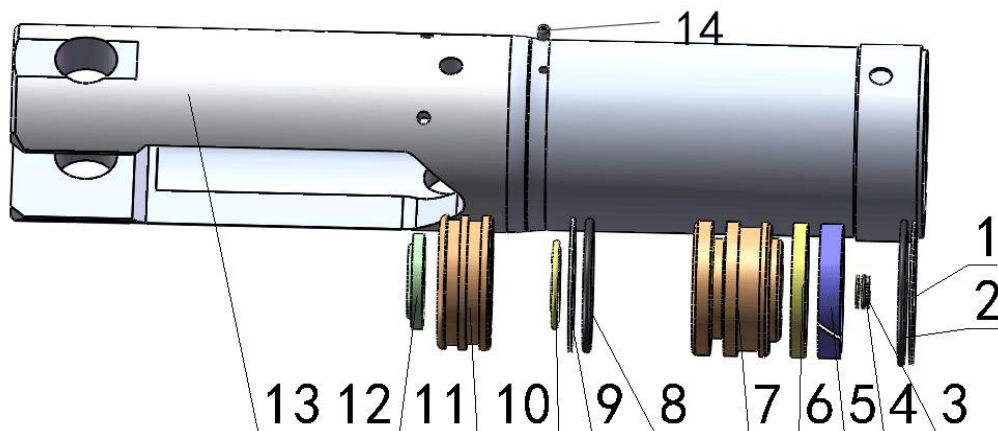


# RHCC-257 assembly



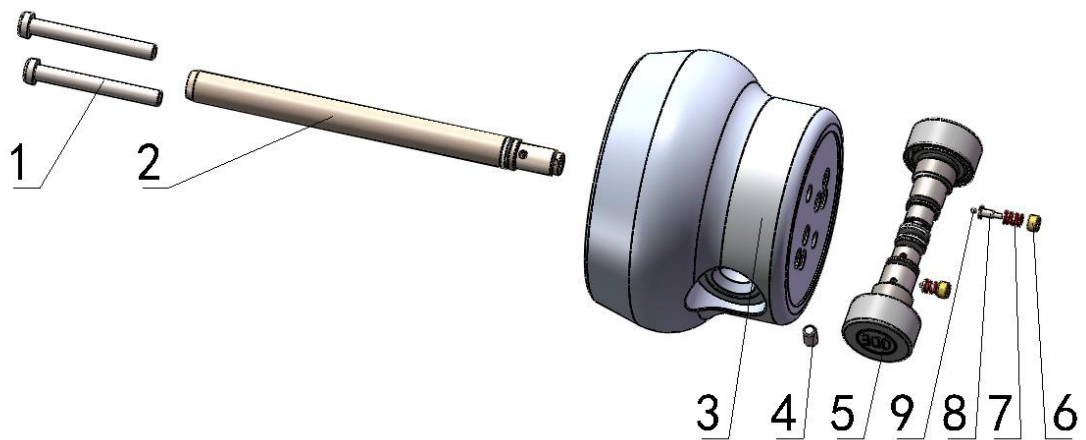
Item	Description	Quantity	Part no.
1	Plastic sheath shell	1	23120011
2	Hydraulic shear blades	2	23080012
3	Nut	1	24110017
4	Flat washer	1	24130035
5	Scissors pin	1	23150034
6	Blade small pin	2	23150035
7	Shaft retaining ring	2	24150012
8	Connecting rod	2	23150033
9	Adapter pin	1	23150032
10	Piston connecting rod shaft	1	23040064
11	Cylinder Assembly	1	RHCC257-11
12	Carrying handle	1	23100010
13	Socket head screw	2	24010024
14	Spring washers	2	24140006
15	Back cover assembly	1	RHCC257-15
16	O-ring	6	25010157
17	Directional valve assembly	1	RHCC257-17
18	Handle assembly	1	RHCC257-18

## Cylinder part Assembly (RHCC257-11)



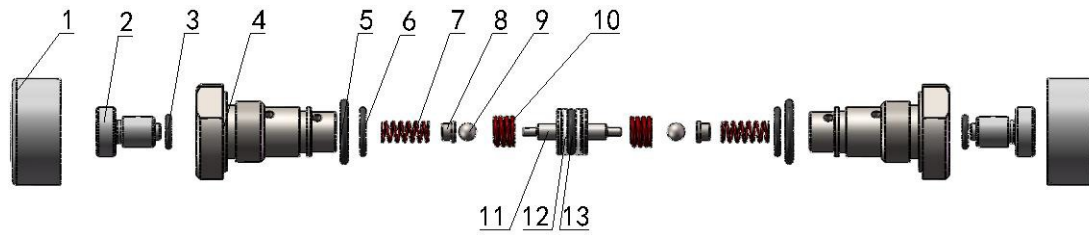
Item	Description	Quantité	system
1	PTFE retaining ring	1	25070061
2	O-ring	1	25010091
3	PTFE retaining ring	2	25070045
4	O-ring	1	25010006
5	Bakelite support ring	1	25090004
6	Gray seal ring	1	25030008
7	Piston	1	23040031
8	O-ring	1	25010090
9	PTFE retaining ring	1	25070059
10	Gray seal ring	1	25030009
11	Front cover	1	23140032
12	Dust seal	1	25050012
13	Cylinder	1	23030015
14	Set screw	1	24060020

## Back cover assembly (RHCC257-15)



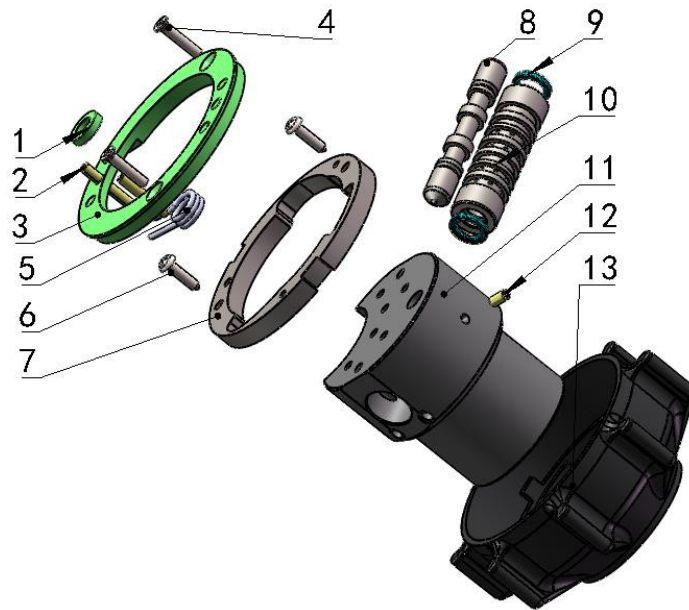
Item	Description	Quantity	Part no.
1	Socket head screw	2	24010036
2	Oil tube	1	23110024
3	Rear cover	1	23140034
4	Set Screw	1	24060021
5	Pressure retaining valve	1	22020022
6	Regulating plug valve	2	23050050
7	Compression spring	2	23130027
8	Spring	2	23150049
9	Ball	2	23050003
10	Washer	2	24130012

## Pressure retaining valve assembly (22020022)



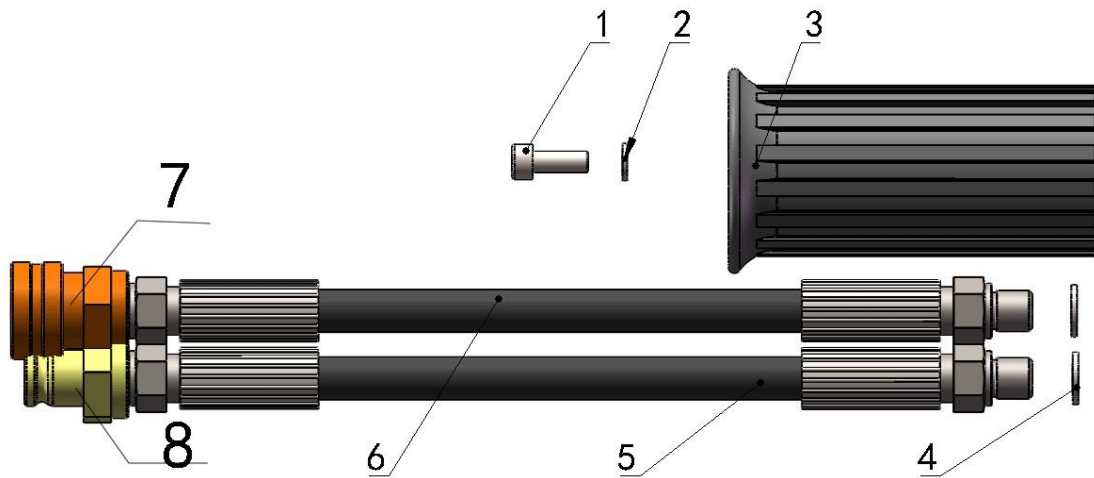
Item	Description	Quantité	No. piece
1	Dust cover	2	23140033
2	Screw valve	2	23050020
3	O-ring	2	25010092
4	Valve body	2	23050024
5	O-ring	2	25010119
6	O-ring	2	25010028
7	Compression spring	2	23130037
8	Spring seat	2	23160013
9	Ball	2	23050004
10	Compression spring	2	23130072
11	Return small piston	1	23040028
12	PTFE retaining ring	2	25070064
13	O-ring	1	25010044

## Directional valve assembly (22020062)



Item	Description	Quantity	Part no.
1	Positioning plate	1	23170014
2	Pin	2	23150017
3	Positioning plate	1	23170014
4	Screw	2	24040006
5	Torsion Spring	1	23130028
6	Screw	2	24090003
7	Reversing valve retaining ring	1	23170013
8	AB type reversing valve core	1	23050045
9	Star seal	2	25040004
10	Reversing valve sleeve	1	23050046
11	B type reversing valve body	1	23050052
12	Pin	1	23150018
13	Hand wheel handle	1	23100029

## Oil pipe assembly (RHCC257-18)



Item	Description	Quantity	Part no.
1	Screw	2	24010026
2	Spring washer	2	24140003
3	Handle	1	23100014
4	Flat washer	2	24130025
5	Ultra-high pressure hose (white)	1	23110002
6	Ultra-high pressure hose (red)	1	23110003
7	Female coupler	1	23110110
8	Male coupler	1	23110109

