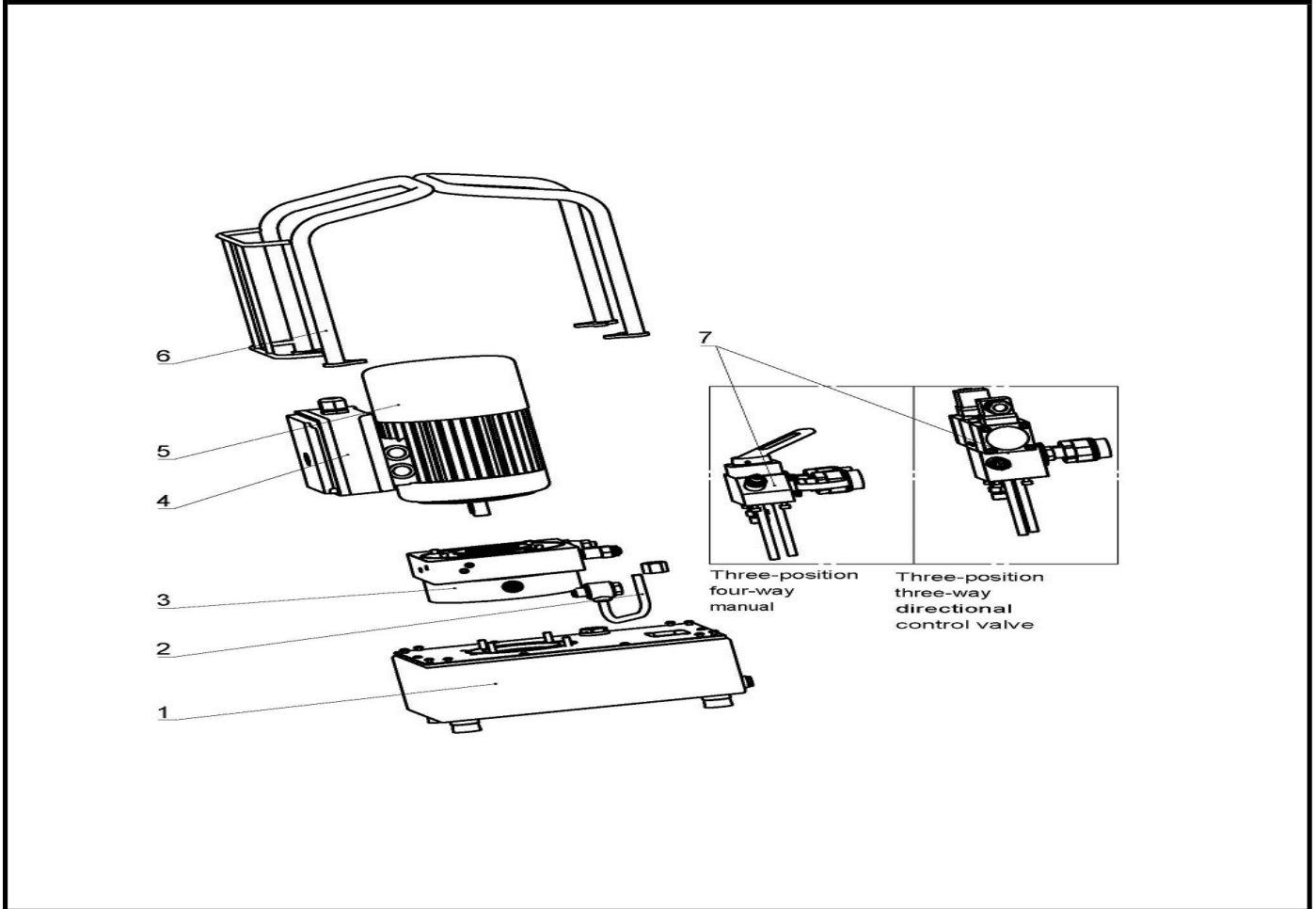


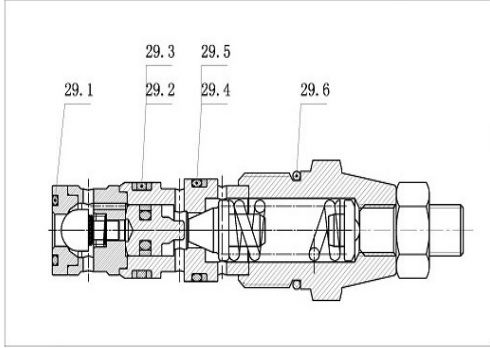
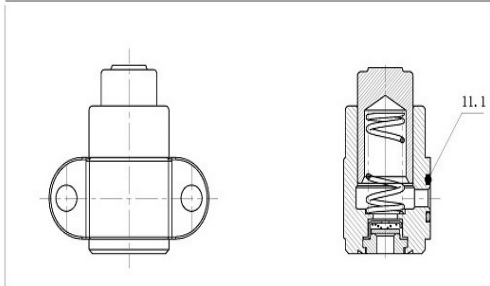
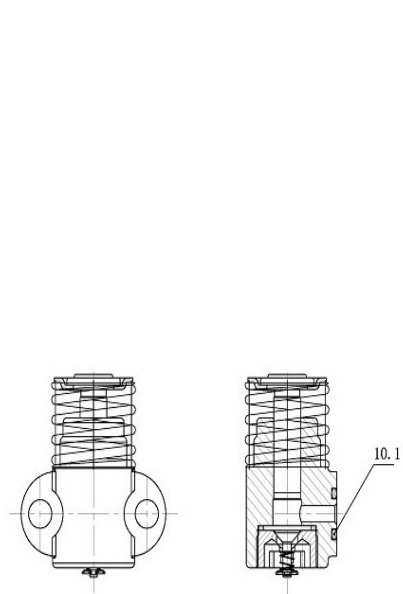
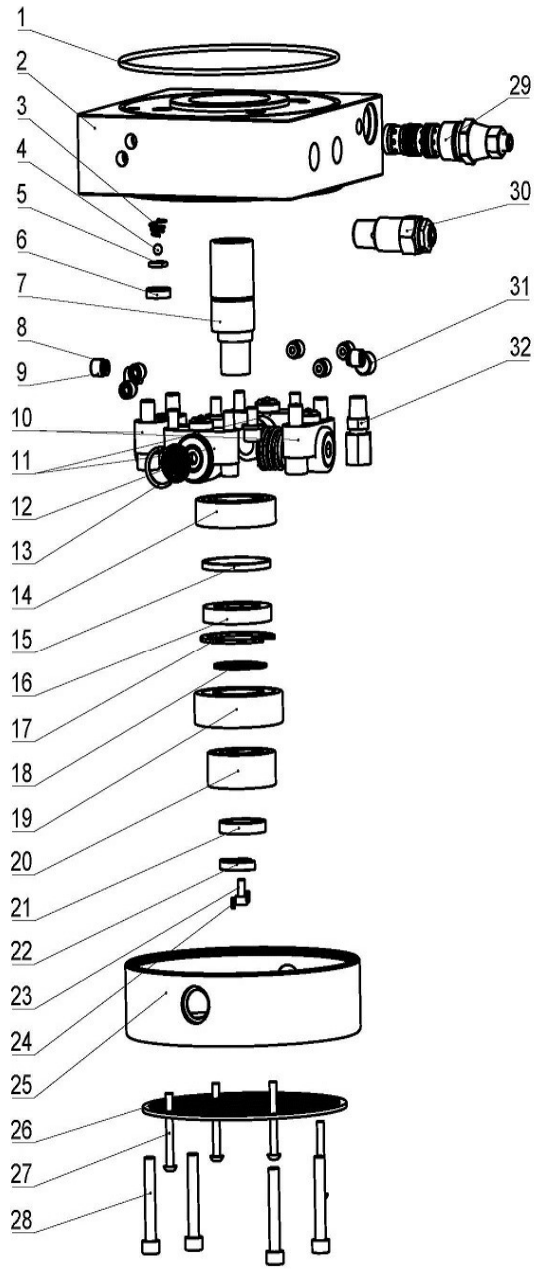
Electric Pump - Ultra high pressure electric pump

Doc. : L1088A Date : 2019/01



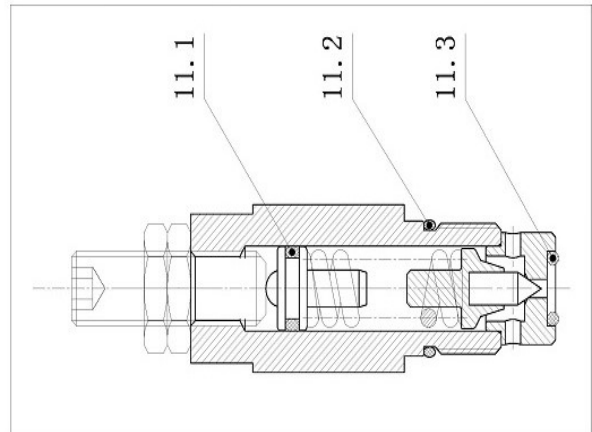
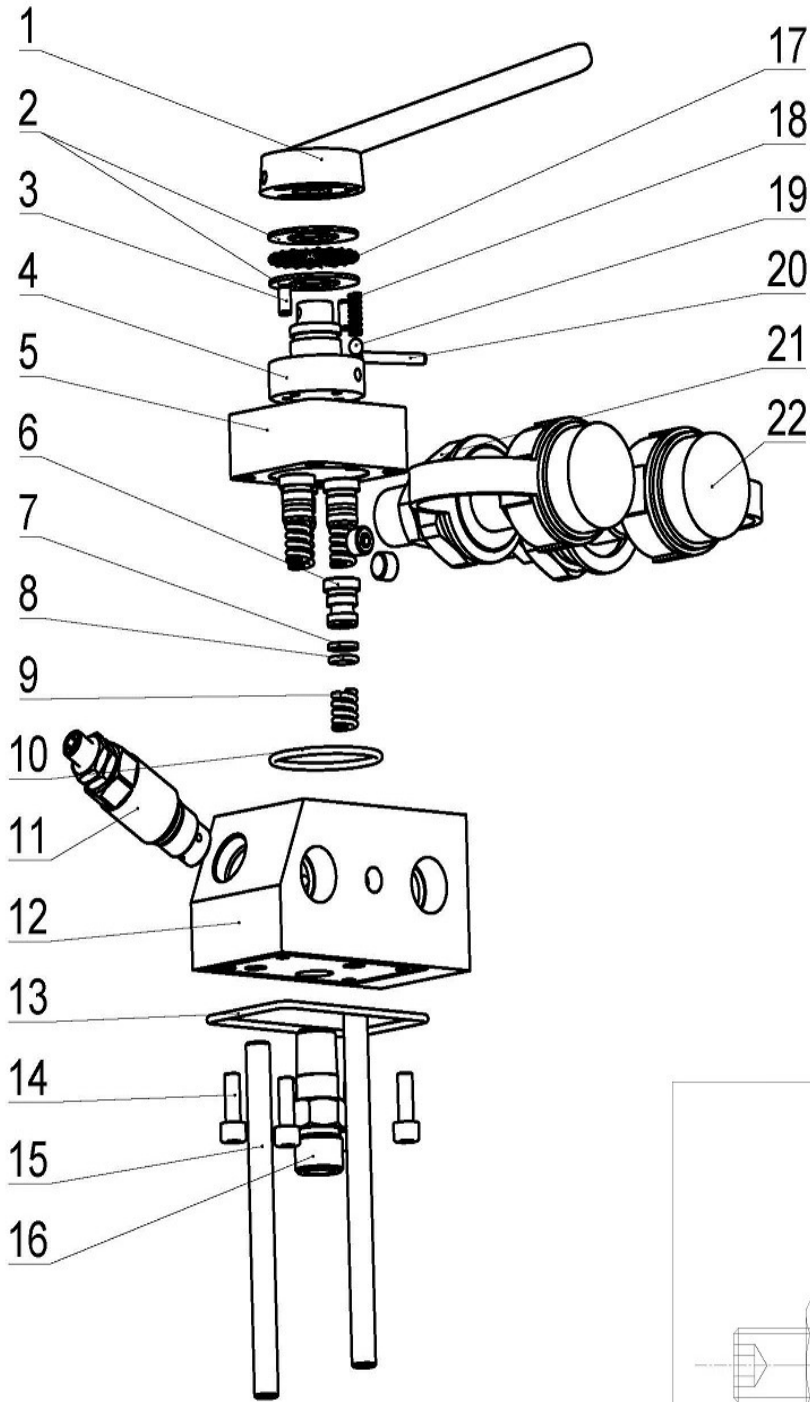
Item NO.	Description	Qty	Part NO.
			EPC4
1	Oil tank subassembly	1	2.016.00041
2	Oil hose-1	1	2.014.00014
3	Pump head	1	2.003.00039
4	Electronic control system subassembly	1	2.033.00017
5	Electronic control system subassembly	1	2.033.00024
6	Electromotor	1	1.3.008.00041
7	Protective cage	1	1.3.131.00013
8	Manifold Assembly	1	2.036.00023
9	Manifold Assembly	1	2.008.00103

EPC4 pump head parts list



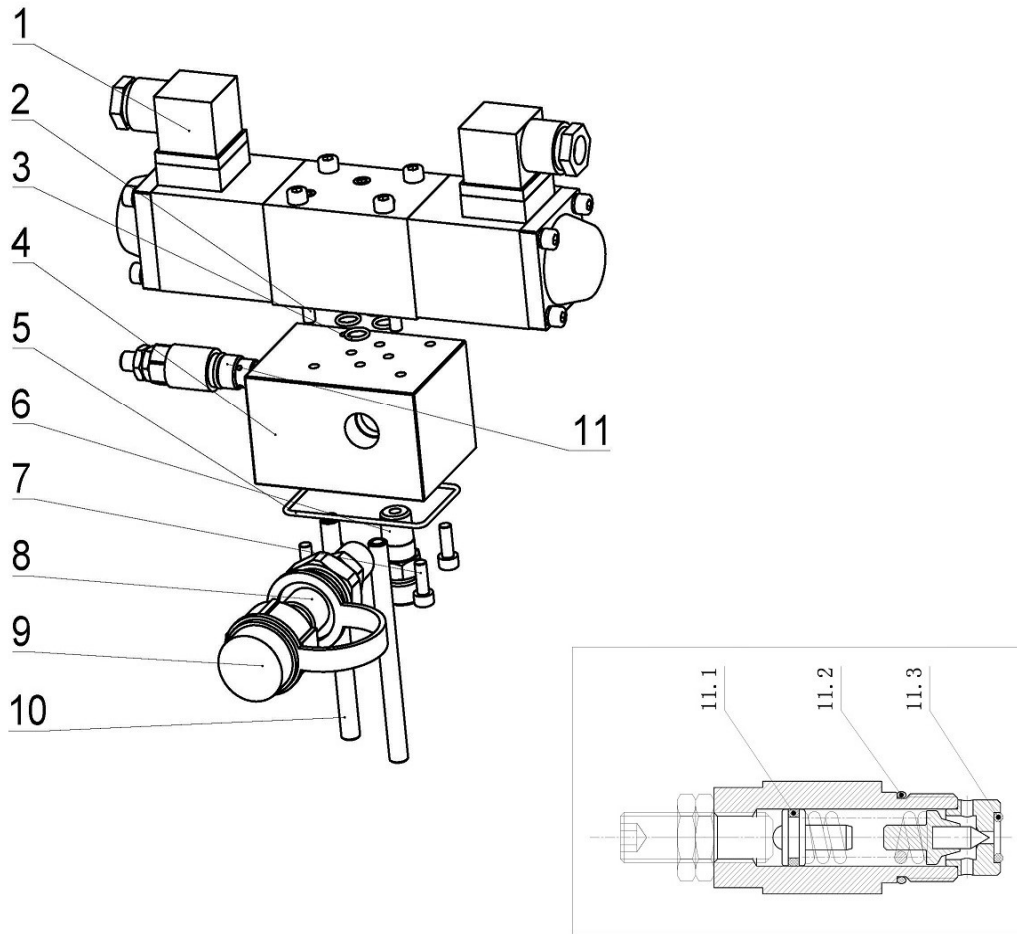
Item NO.	Description	Qty	Part NO.
			EPC4 - Pump head
1	O-ring	1	1.3.002.00072
2	Base	1	2.001.02691
3	Spring	4	1.3.044.00062
4	Ball	4	1.3.055.00004
5	O-ring	4	1.3.002.00283
6	Valve seat	4	2.001.01694
7	Crankshaft	1	2.001.02701
8	Hexagon socket set screw with flat point	8	1.3.067.00011
9	Sealed copper pad	8	1.3.024.00006
10	Plunger pair	2	2.019.00038
10.1	O-ring	1	1.3.002.00283
11	Plunger pair	2	2.019.00035
11.1	O-ring	2	1.3.002.00283
12	Filter screen	1	1.3.057.00008
13	Circlips	1	1.3.017.00020
14	Deep groove ball bearing	1	1.3.069.00026
15	Washer	1	2.001.02693
16	TC framework oil seal	1	1.3.098.00134
17	Circlips	1	1.3.017.00022
18	Circlips	1	1.3.019.00002
19	Cylindrical roller bearing	1	1.3.043.00010
20	Cylindrical roller bearing	1	1.3.043.00026
21	Washer	2	2.001.02694
22	Balancing weight	1	2.001.02695
23	Hexagon socket button head screws	1	1.3.005.00008
24	Elastic cylindrical pin	2	1.3.006.00045
25	Bearing block	1	2.001.02696
26	Filter screen	1	1.3.057.00005
27	Hexagon socket button head screws	4	1.3.005.00035
28	Hexagon socket head cap screws	4	1.3.027.00106
29	High/low pressure switchover valve	1	2.008.00027
29.1	O-ring	1	1.3.002.00095
29.2	O-ring	1	1.3.002.00049
29.3	Backup washer	2	1.3.007.00179
29.4	O-ring	1	1.3.002.00062
29.5	Backup washer	1	1.3.007.00180
29.6	O-ring	1	1.3.002.00154
30	Safety valve	1	2.008.00026
31	Hexagon socket set screws with flat point	1	1.3.067.00039
32	Two way connector	1	1.3.098.00133
•	Repair kit	1	EPC4-PH-RK

EPC4 manual manifold assembly parts list



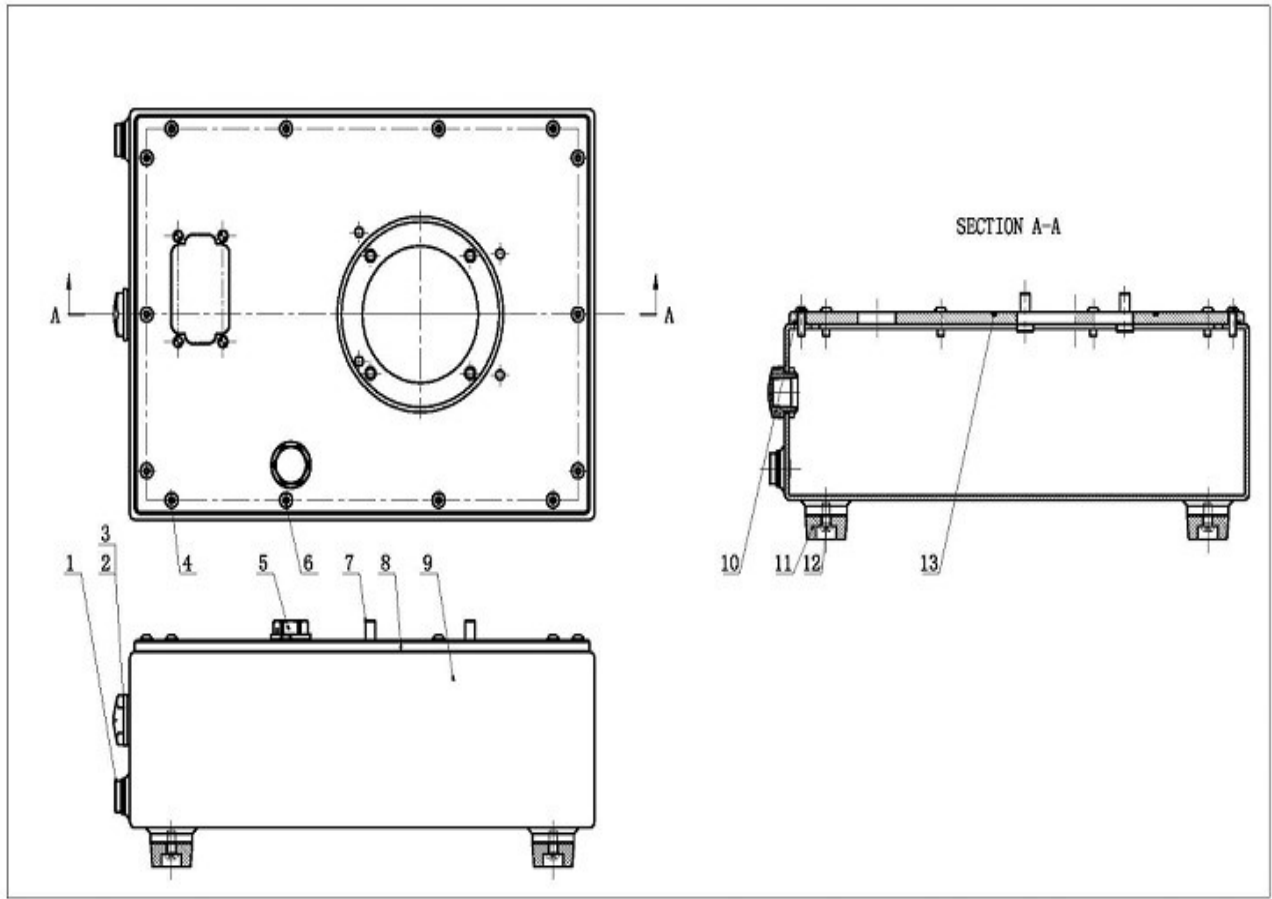
Item NO.	Description	Qty	Part NO.
			EPC4 - manual manifold
1	Handle	1	2.001.01686
2	Washer	1	2.008.00025
3	Cylindrical pin	1	1.3.002.00292
4	Liquid distribution shaft	1	1.3.007.00177
5	Gland	1	1.3.002.00291
6	Bush	1	2.011.00009
7	Backup Washer	1	1.3.068.00011
8	O-ring	1	2.001.01868
9	Spring	1	1.3.049.00006
10	O-ring	1	1.3.098.00160
11	4-way relief valve	1	1.3.016.00015
11.1	O-ring	1	1.3.002.00286
11.2	O-ring	5	1.3.055.00006
11.3	O-ring	5	1.3.067.00002
12	Valve block	7	1.3.067.00011
13	O-ring	7	1.3.024.00006
14	Hexagon socket head cap screws	1	2.008.00024
15	Oil hose	1	1.3.002.00059
16	Two way connector	1	1.3.007.00174
17	Needle roller thrust bearing	1	1.3.002.00060
18	Spring	1	1.3.007.00175
19	Steel ball	1	1.3.002.00061
20	Elastic cylindrical pin	1	1.3.007.00176
21	Two way connector	1	1.3.002.00051
22	Connector protective jacket	2	1.3.002.00284
•	Repair kit	1	EPC4-MMA-RK

EPC4 manual manifold assembly parts list



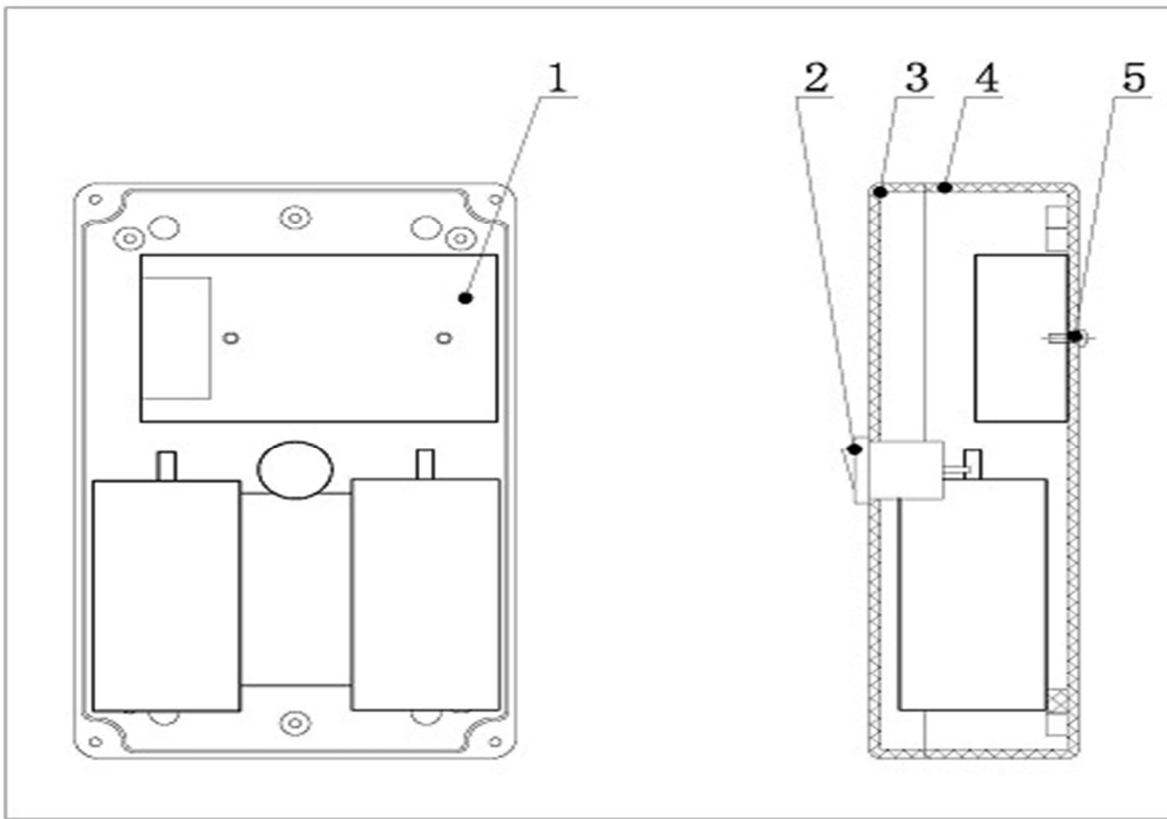
Item NO.	Description	Qty	Part NO.
			EPC4 - Solenoid manifold
1	Three-position four way magnetic	1	2.008.00102
2	Hexagon socket head cap screws	4	1.3.027.00139
3	O-ring	4	1.3.002.00095
4	Valve block	1	2.001.03340
5	O-ring	1	1.3.002.00338
6	Two way connector	1	1.3.098.00338
7	Hexagon socket head cap screws	1	1.3.027.00169
8	Two way connector	2	1.3.013.00004
9	Connector protective jacket	2	1.3.097.00002
10	Oil hose	2	2.001.02715
11	4-way relief valve	1	2.008.00094
11.1	O-ring	1	1.3.002.00157
11.2	O-ring	1	1.3.002.00049
11.3	O-ring	1	1.3.002.00286
•	Repair kit	1	EPC4-SMA-RK

EPC4 oil tank subassembly parts list



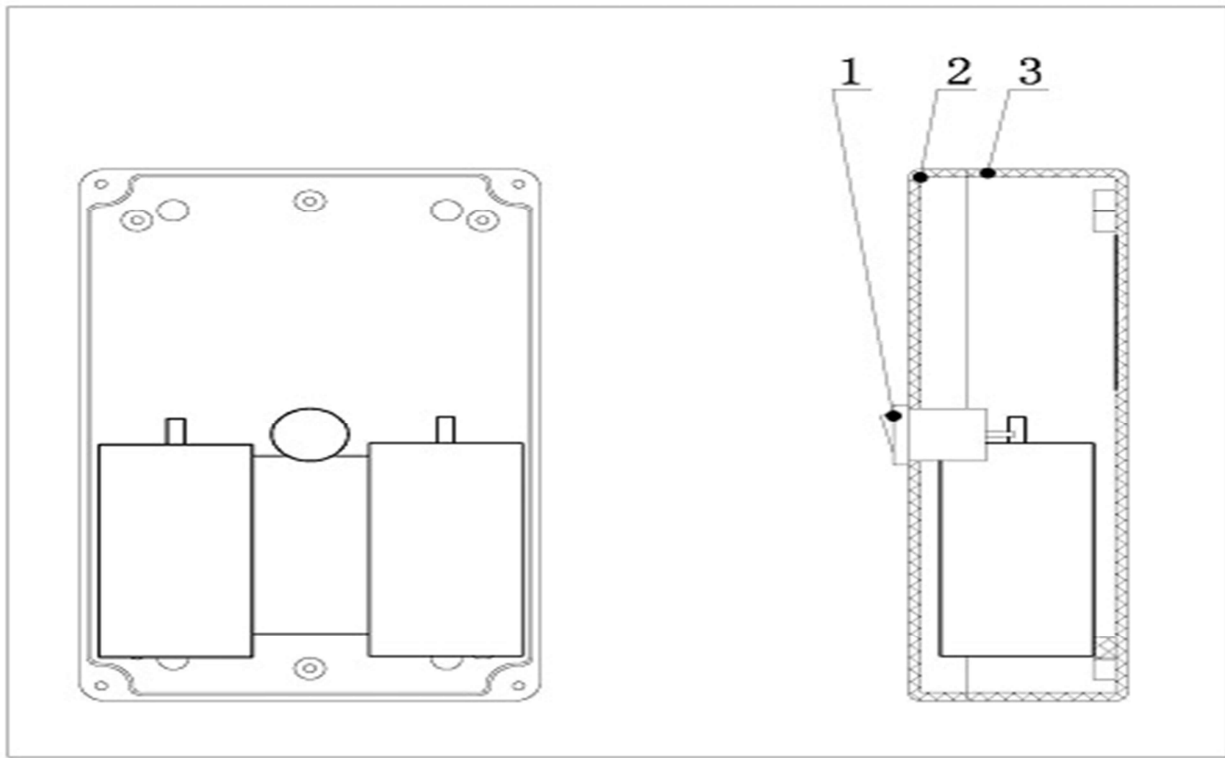
Item NO.	Description	Qty	Part NO.
			EPC4 - Oil tank
1	Plug screw	1	1.3.066.00006
2	Oil level indicator	1	1.3.098.00136
3	Tighten nut	1	1.3.098.00137
4	Hexagon socket button head screws	8	1.3.005.00034
5	Oil filler vent plug	1	2.001.01816
6	Hexagon socket button head screws	6	1.3.005.00021
7	Hexagon socket head cap screws	4	1.3.027.00018
8	Oil tank cover	1	2.001.02700
9	Oil tank body	1	1.3.107.00016
10	Sealing strip	1	1.3.098.00054
11	Rubber feet	4	1.3.022.00023
12	Hexagon socket head cap screws	4	1.3.005.00033
13	O-ring	1	1.3.002.00266
•	Repair kit	1	EPC4-OT-RK

EPC4 Solenoid Electronic control system subassembly parts list



Item NO.	Description	Qty	Part NO.
			EPC4 - Electronic control
1	Switching mode power supply	1	1.3.125.00157
2	Switch	1	1.3.125.00133
3	Waterproof cover	1	2.001.02698
4	Waterproof box	1	2.001.03407
5	Cross recessed pan head screws	1	1.3.031.00022

EPC4 Manual Electronic control system subassembly parts list



Item NO.	Description	Qty	Part NO.
			EPC4 - Electronic control
1	Switch	1	1.3.125.00133
2	Waterproof cover	1	2.001.02698
3	Waterproof box	1	2.001.03407