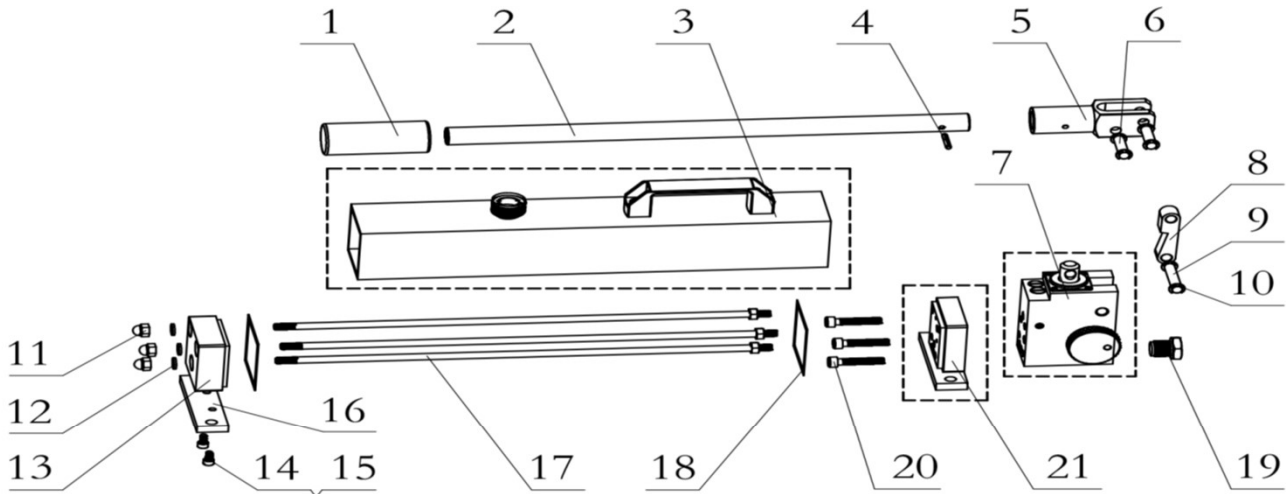
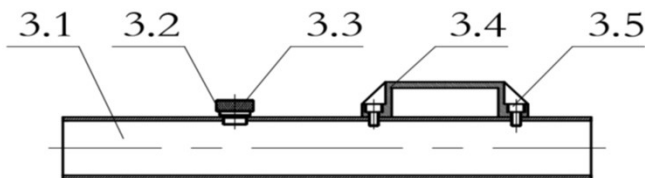


Lightweight Hand Pump - Hand hydraulic pump

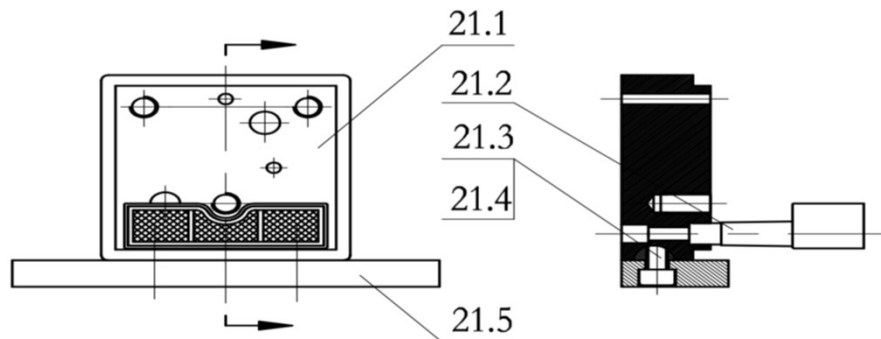
Doc. : B1079A Date : 2019/01



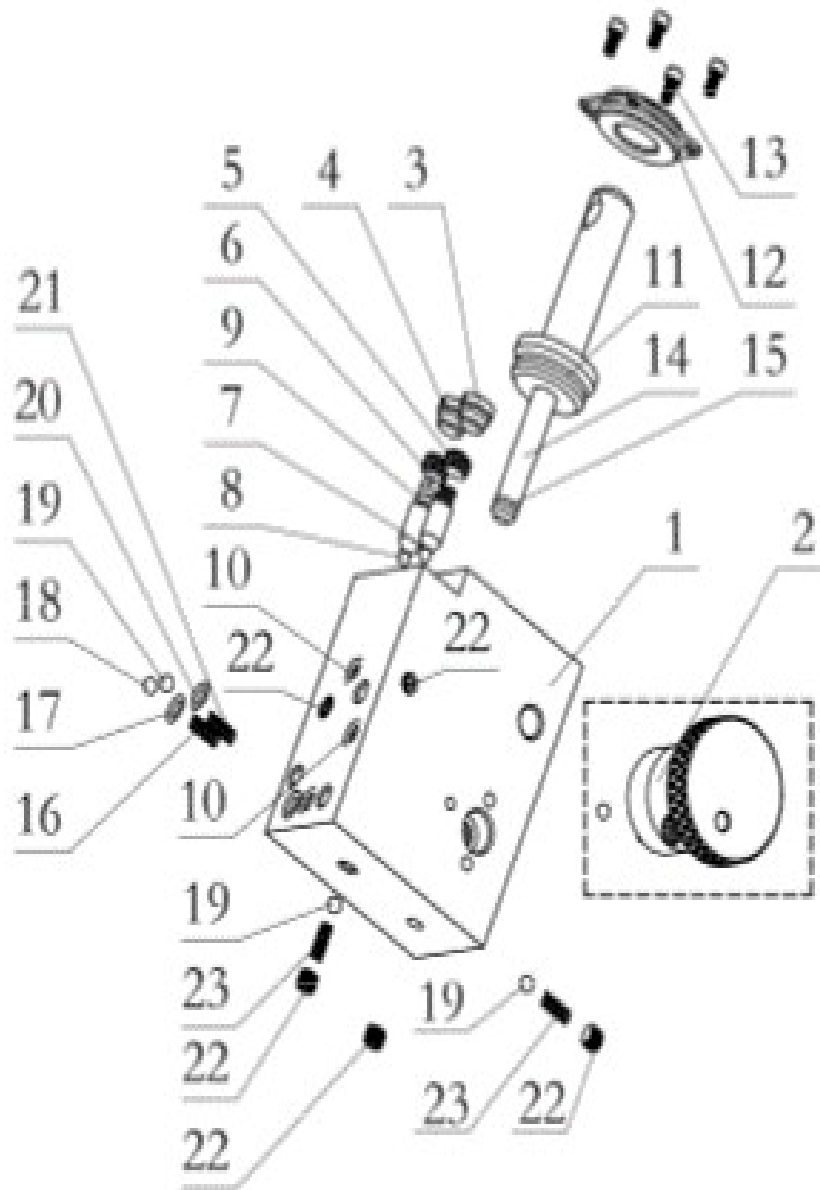
3



21



Item NO.	Description	Qty	Part NO.	
			HP16-1	HP16-3
1	Handle sleeve	1	1.3.032.00001	1.3.032.00001
2	Handlebar (Item #4 included)	1	2.001.00242	2.001.00242
3	Oil reservoir	1	2.016.00021	2.016.00021
3,1	Tank body	1	2.001.00257	2.001.00258
3,2	O-ring	1	-	-
3,3	Oil filler plug (Item #3.2 included)	1	2.001.00138	2.001.00138
3,4	Handle A=120 (Item #3.5 included)	1	1.3.098.00003	1.3.098.00003
3,5	Hexagon socket head cap screws	2	-	-
4	Elastic cylindrical pin	1	-	-
5	Handle seat (Item #6 + split washer included)	1	2.001.00246	2.001.00246
6	Short pin	2	-	-
7	Pump body components	1	2.003.00003	2.003.00003
8	Connecting rod (Item #9 + split washer included)	1	2.001.00184	2.001.00184
9	Long pin	1	-	-
10	Split washer	6	-	-
11	Cap nut	3	-	-
12	Combined Sealing gasket	6	1.3.036.00005	1.3.036.00005
13	Postoperculum	1	2.001.00145	2.001.00146
14	Hexagon socket head cap screws	2	-	-
15	Single coil spring lock washers	2	-	-
16	Footing (Item #14 included)	1	2.001.00074	2.001.00076
17	Screw (Item #11 included)	3	2.001.00204	2.001.00204
18	Sealing gasket	2	1.3.021.00002	1.3.021.00003
19	Plug screw	1	-	-
20	Hexagon socket head cap screws	3	-	-
21	Front cover assembly (Item #20 included)	1	2.007.00001	2.007.00002
21,1	Front cover (Item #20 included)	1	2.001.00232	2.001.00233
21,2	Oil filter	1	2.999.00007	2.999.00007
21,3	Hexagon socket head cap screws	2	-	-
21,4	Single coil spring lock washers	2	-	-
21,5	Footing (Item #21.3 and #21.4 included)	1	2.001.00074	2.001.00076



Item NO.	Description	Qty	Part NO.
1	Pump body	1	2.001.00021
2	Unloading valve	1	2.008.00033
3	Bolt	2	•
4	O-ring	2	•
5	Pressure adjusting screw	2	•
6	Spring	1	•
7	Spring seat	2	•
8	Steel ball	2	•
9	Spring	1	•
10	O-ring	2	•
11	U- ring	1	•
12	Positioning seat (Item #13 included)	1	2.001.00123
13	Hexagon socket head cap screws	4	-
14	Piston (Item #15 included)	1	2.001.00150
15	Combined Sealing gasket	1	-
16	Spring	1	•
17	O-ring	1	•
18	Steel ball	1	•
19	Steel ball	3	•
20	O-ring	1	•
21	Spring	1	•
22	Plug screw	5	•
23	Spring	1	•
•	Repair kit	1	HPS16-RK