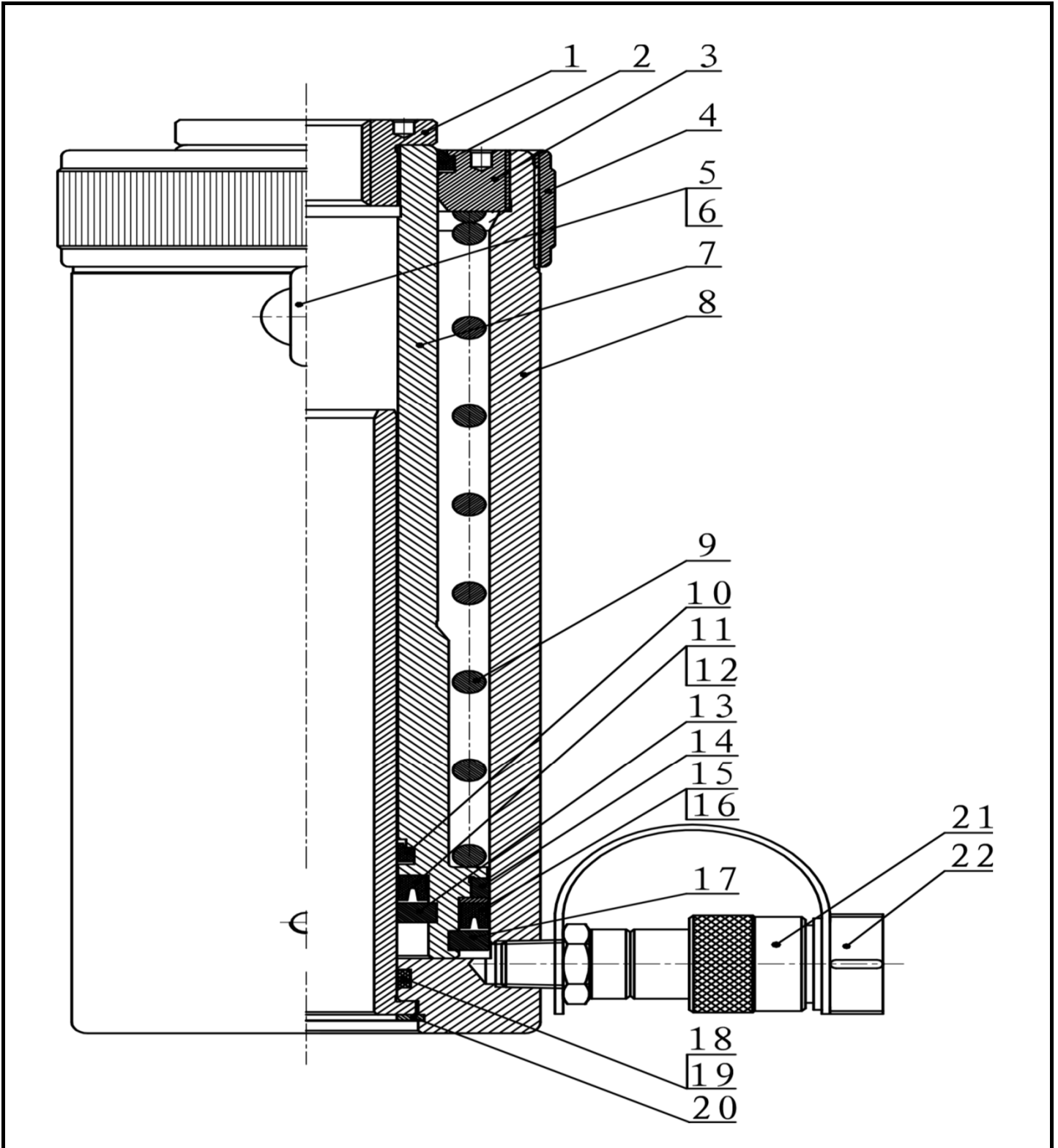


Single-Acting Hollow Cylinders - SHC

Doc. : L1064A Date : 2019/01



| Item NO. | Description | Qty | Part NO. |
|----------|---|-----|---------------|
| | | | SHC300-155 |
| 1 | Lifting head | 1 | 2.001.02127 |
| 2 | J-dustband | 1 | ● |
| 3 | Guide cap | 1 | 2.001.02128 |
| 4 | Thread protector | 1 | 2.001.02134 |
| 5 | Lifting bolt (Item #6 included) | 2 | 1.3.009.00004 |
| 6 | Hexagon nut | 2 | - |
| 7 | Piston rod | 1 | 2.001.02130 |
| 8 | Oil cylinder | 1 | 2.001.02129 |
| 9 | Returning spring | 1 | 1.3.011.00071 |
| 10 | J-dustband | 1 | ● |
| 11 | / | / | / |
| 12 | U- ring | 1 | ● |
| 13 | Back the inner guide sleeve | 1 | ● |
| 14 | Front guide sleeve | 1 | 2.001.02131 |
| 15 | / | / | / |
| 16 | U- ring | 1 | ● |
| 17 | Back guide sleeve | 1 | 2.001.02132 |
| 18 | Backup Washer | 1 | ● |
| 19 | O- ring | 1 | ● |
| 20 | Centre hole | 1 | 2.001.02136 |
| 21 | Circlips for holes | 1 | ● |
| 22 | Female connector | 1 | 1.3.025.00004 |
| 23 | Connector protective jacket for NPT3/8" | 1 | 1.3.097.00002 |
| ● | Repair kit | 1 | SHC300-RK |