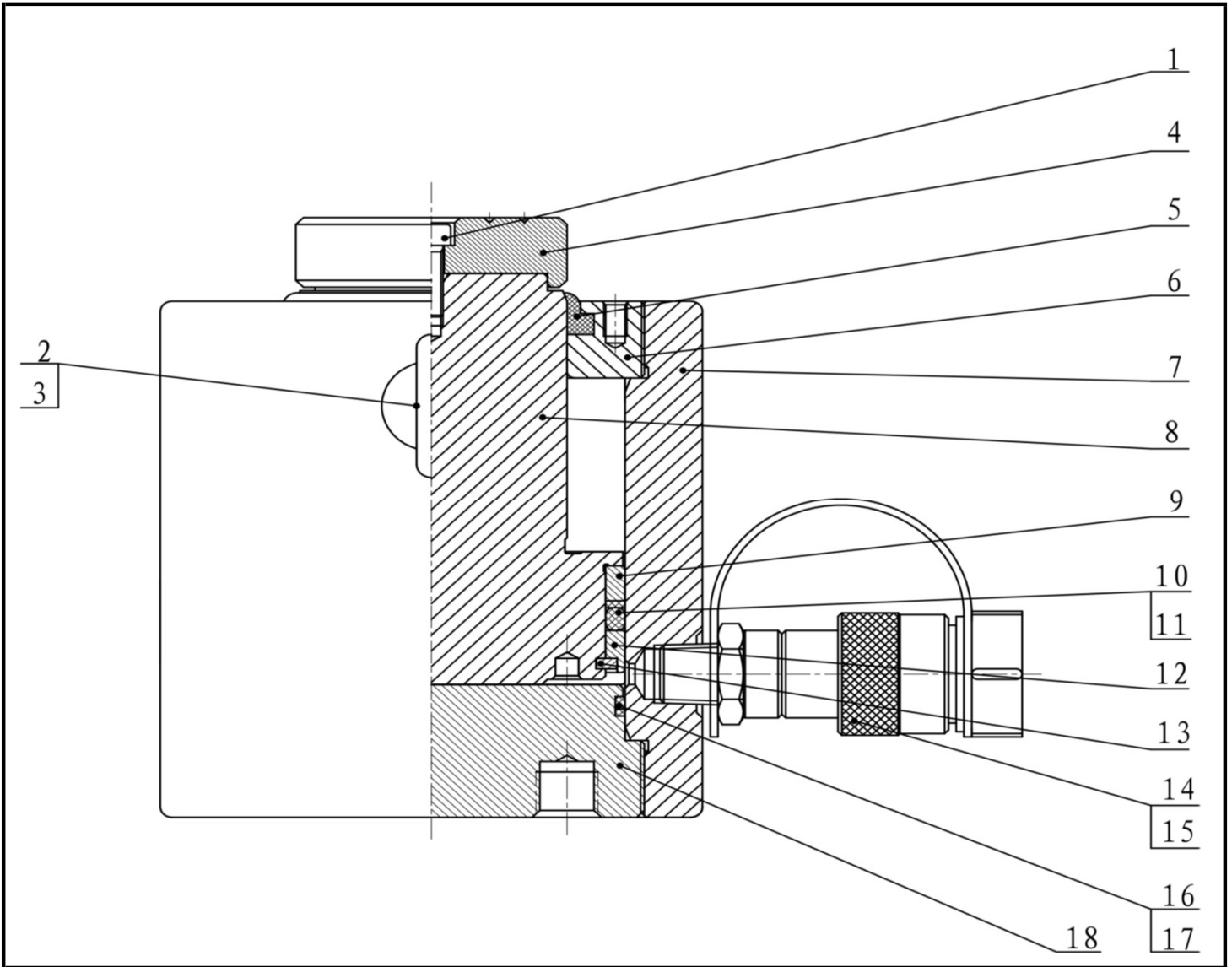


Single-Acting High Tonnage Cylinders - SHT series

Doc. : L1036A Date : 2019/01



Item NO.	Description	Qty	Part NO.			
			SHT150-50	SHT150-100	SHT150-150	SHT150-200
1	Hexagon socket head cap screws	1	-			
2	Lifting bolt (Item #3 included)	2	1.3.009.00006			
3	Hexagon nut	2	-			
4	Lifting head (Item #1 included)	1	2.001.02659			
5	J-dustband	1	●			
6	Guide cap	1	2.001.02912			
7	Oil cylinder	1	2.001.03332 (SHT150-50)			
		1	2.001.03334 (SHT150-100)			
		1	2.001.02913 (SHT150-150)			
		1	2.001.03336 (SHT150-200)			
8	Piston rod	1	2.001.03333 (SHT150-50)			
		1	2.001.03335 (SHT150-100)			
		1	2.001.02914 (SHT150-150)			
		1	2.001.03337 (SHT150-200)			
9	Front guide sleeve	1	2.001.02915			
10	Backup Washer	1	●			
11	O-ring	1	●			
12	Back guide sleeve	1	2.001.02656			
13	Semi-ring	1	2.001.02657			
14	Female connector	1	1.3.025.00004			
15	Connector protective jacket for NPT3/8"	1	1.3.097.00002			
16	Backup Washer	1	●			
17	O-ring	1	●			
18	Bottom cap	1	2.001.02658			
●	Repair kit	1	SHT150-RK			