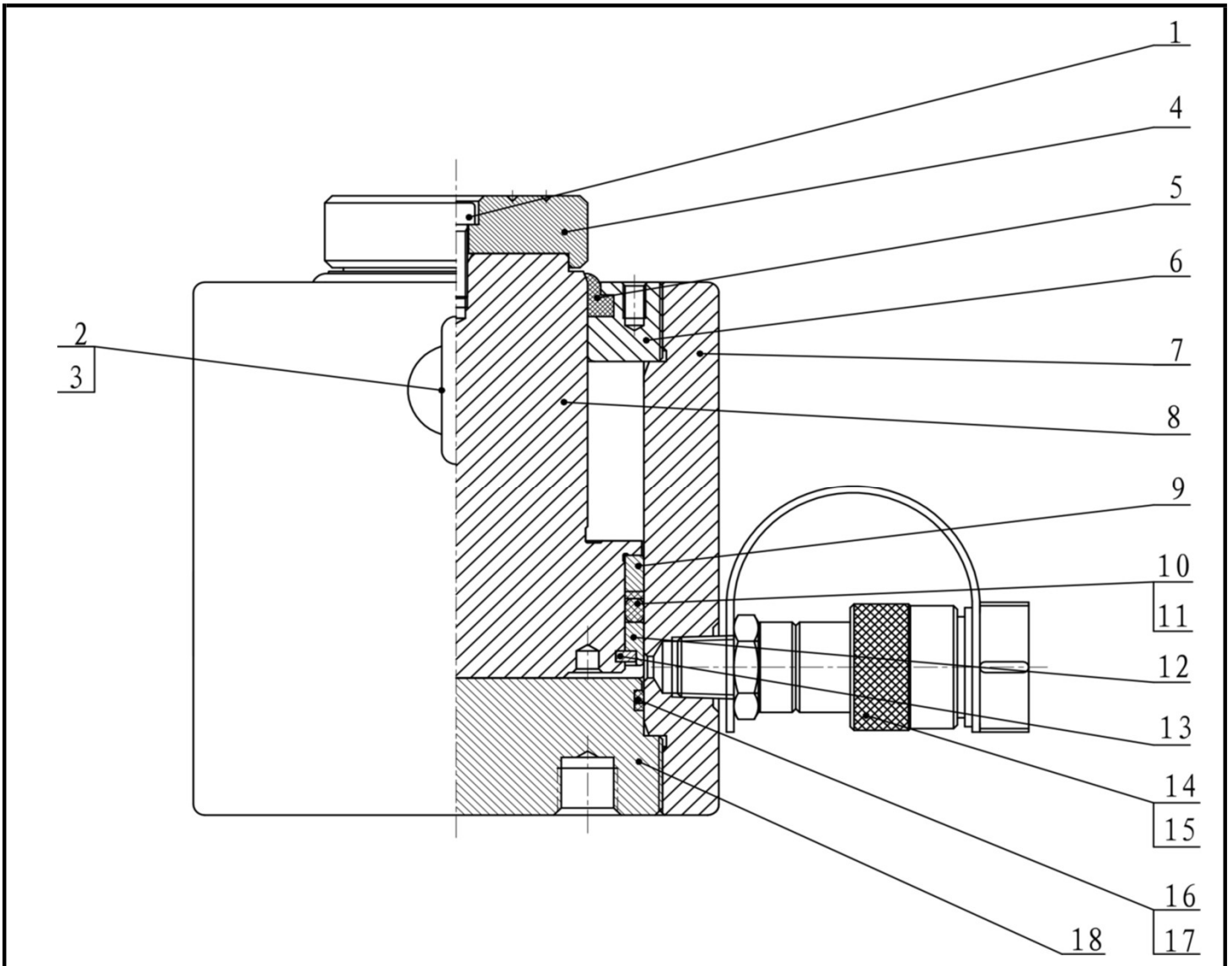


Single-Acting High Tonnage Cylinders - SHT series

Doc. : L1035A Date : 2019/01



| Item NO. | Description | Qty | Part NO. | | | |
|----------|---|-----|--------------------------|------------|------------|------------|
| | | | SHT100-50 | SHT100-100 | SHT100-150 | SHT100-200 |
| 1 | Hexagon socket head cap screws | 1 | - | | | |
| 2 | Lifting bolt (Item #3 included) | 2 | 1.3.009.00005 | | | |
| 3 | Hexagon nut | 2 | - | | | |
| 4 | Lifting head (Item #1 included) | 1 | 2.001.00092 | | | |
| 5 | J-dustband | 1 | ● | | | |
| 6 | Guide cap | 1 | 2.001.02933 | | | |
| 7 | Oil cylinder | 1 | 2.001.03326 (SHT100-50) | | | |
| | | 1 | 2.001.03328 (SHT100-100) | | | |
| | | 1 | 2.001.01245 (SHT100-150) | | | |
| | | 1 | 2.001.03330 (SHT100-200) | | | |
| 8 | Piston rod | 1 | 2.001.03327 (SHT100-50) | | | |
| | | 1 | 2.001.03329 (SHT100-100) | | | |
| | | 1 | 2.001.01246 (SHT100-150) | | | |
| | | 1 | 2.001.03331 (SHT100-200) | | | |
| 9 | Front guide sleeve | 1 | 2.001.02934 | | | |
| 10 | Backup Washer | 1 | ● | | | |
| 11 | O-ring | 1 | ● | | | |
| 12 | Back guide sleeve | 1 | 2.001.00139 | | | |
| 13 | Semi-ring | 1 | 2.001.00009 | | | |
| 14 | Female connector | 1 | 1.3.025.00004 | | | |
| 15 | Connector protective jacket for NPT3/8" | 1 | 1.3.097.00002 | | | |
| 16 | Backup Washer | 1 | ● | | | |
| 17 | O-ring | 1 | ● | | | |
| 18 | Bottom cap | 1 | 2.001.00065 | | | |
| ● | Repair kit | 1 | SHT100-RK | | | |