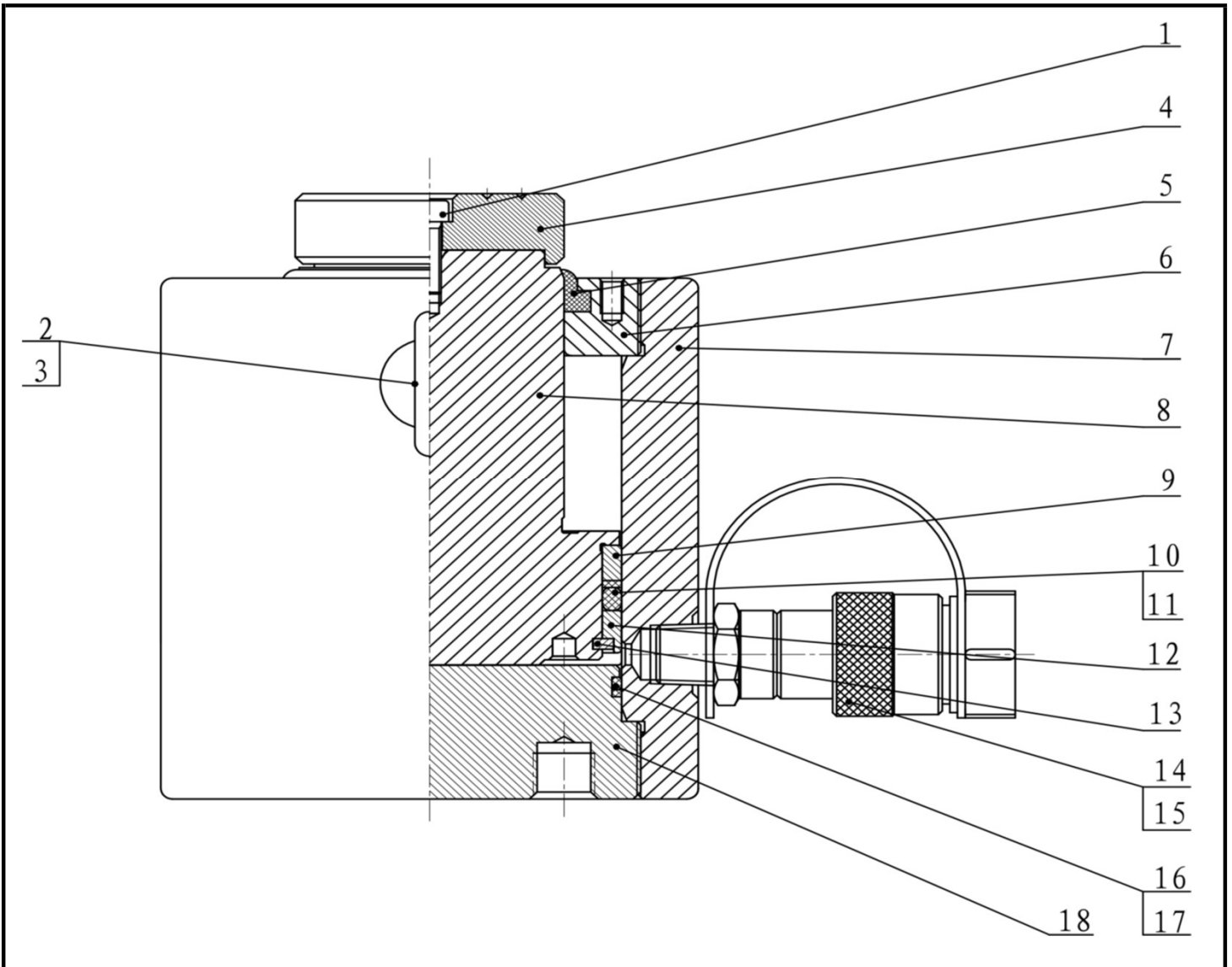


Single-Acting High Tonnage Cylinders - SHT series

Doc. : L1034A Date : 2019/01



Item NO.	Description	Qty	Part NO.				
			SHT50-50	SHT50-100	SHT50-150	SHT50-200	SHT50-300
1	Hexagon socket head cap screws	1	-				
2	Lifting bolt (Item #3 included)	2	1.3.009.00004				
3	Hexagon nut	2	-				
4	Lifting head (Item #1 included)	1	2.001.00096				
5	J-dustband	1	●				
6	Guide cap	1	2.001.02916				
7	Oil cylinder	1	2.001.03321 (SHT50-50)				
		1	2.001.03322 (SHT50-100)				
		1	2.001.02918 (SHT50-150)				
		1	2.001.03324 (SHT50-200)				
		1	2.001.03338 (SHT50-300)				
8	Piston rod	1	2.001.03320 (SHT50-50)				
		1	2.001.03323 (SHT50-100)				
		1	2.001.02919 (SHT50-150)				
		1	2.001.03325 (SHT50-200)				
		1	2.001.03339 (SHT50-300)				
9	Front guide sleeve	1	2.001.02917				
10	Backup Washer	1	●				
11	O-ring	1	●				
12	Back guide sleeve	1	2.001.00143				
13	Semi-ring	1	2.001.00014				
14	Female connector	1	1.3.025.00004				
15	Connector protective jacket for NPT3/8"	1	1.3.097.00002				
16	Backup Washer	1	●				
17	O-ring	1	●				
18	Bottom cap	1	2.001.00069				
●	Repair kit	1	SHT50-RK				